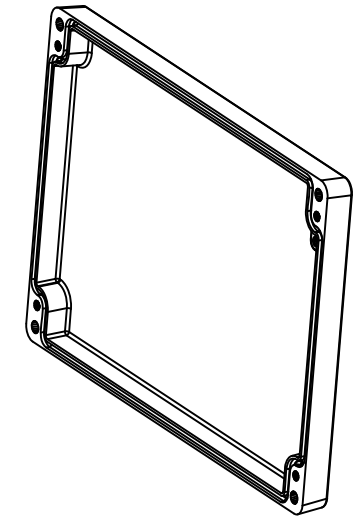
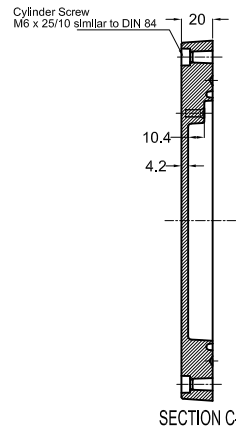
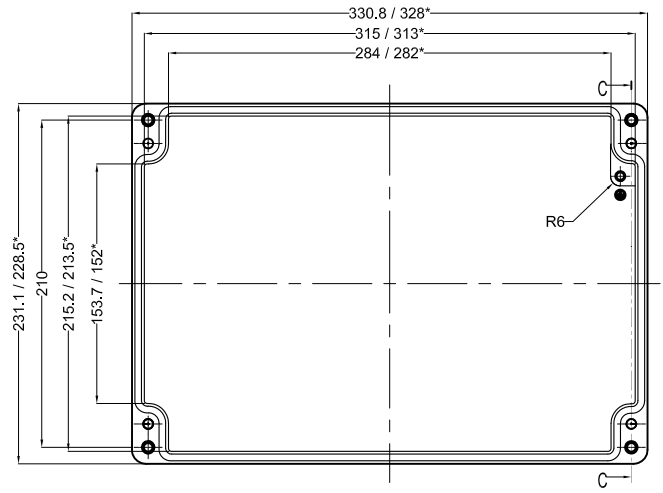
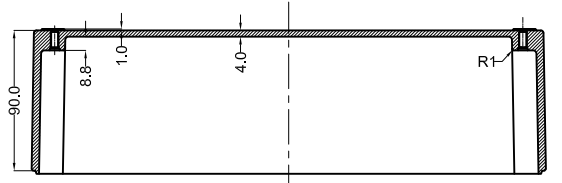
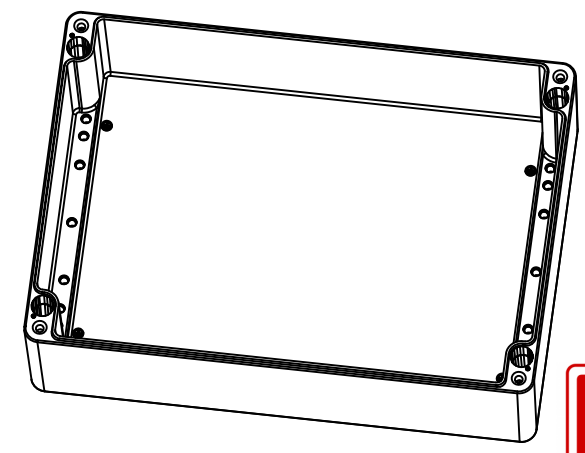
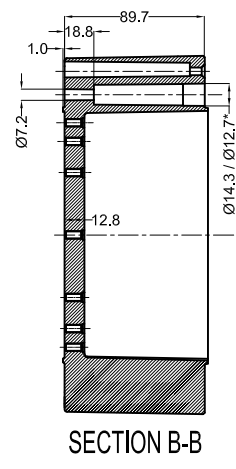
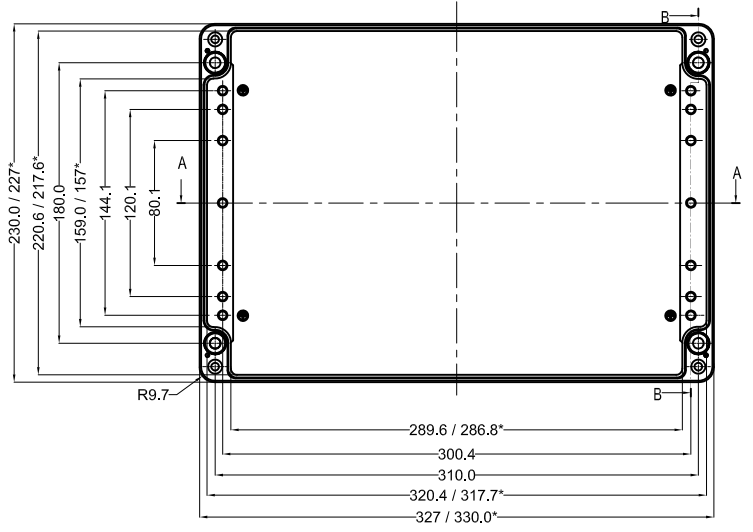


\* = Conical form tapering downward.  
 Untoleranced dimensions per GTA 13/5 - DIN 1688

LID



BASE



SECTION A-A



QUANTITY 1	MATERIAL :- <b>ALs112 (Din230)</b>	MACH.NAME -	DATE 13/06/12	SIGN MANOJ	NAME DRAWN
TOLERANCE ±0.2 DIMENSIONS ±0.2 HOLES ±1.0° ANGLES		WEIGHT: - FINISH: NATURAL	TITLE :- JUNCTION BOX 330 x 230 x 110		DATE 13/06/12
			SIGNATURE PAVAN		CHECKED
			SIGNATURE S. D.		APPROVED
			SCALE		