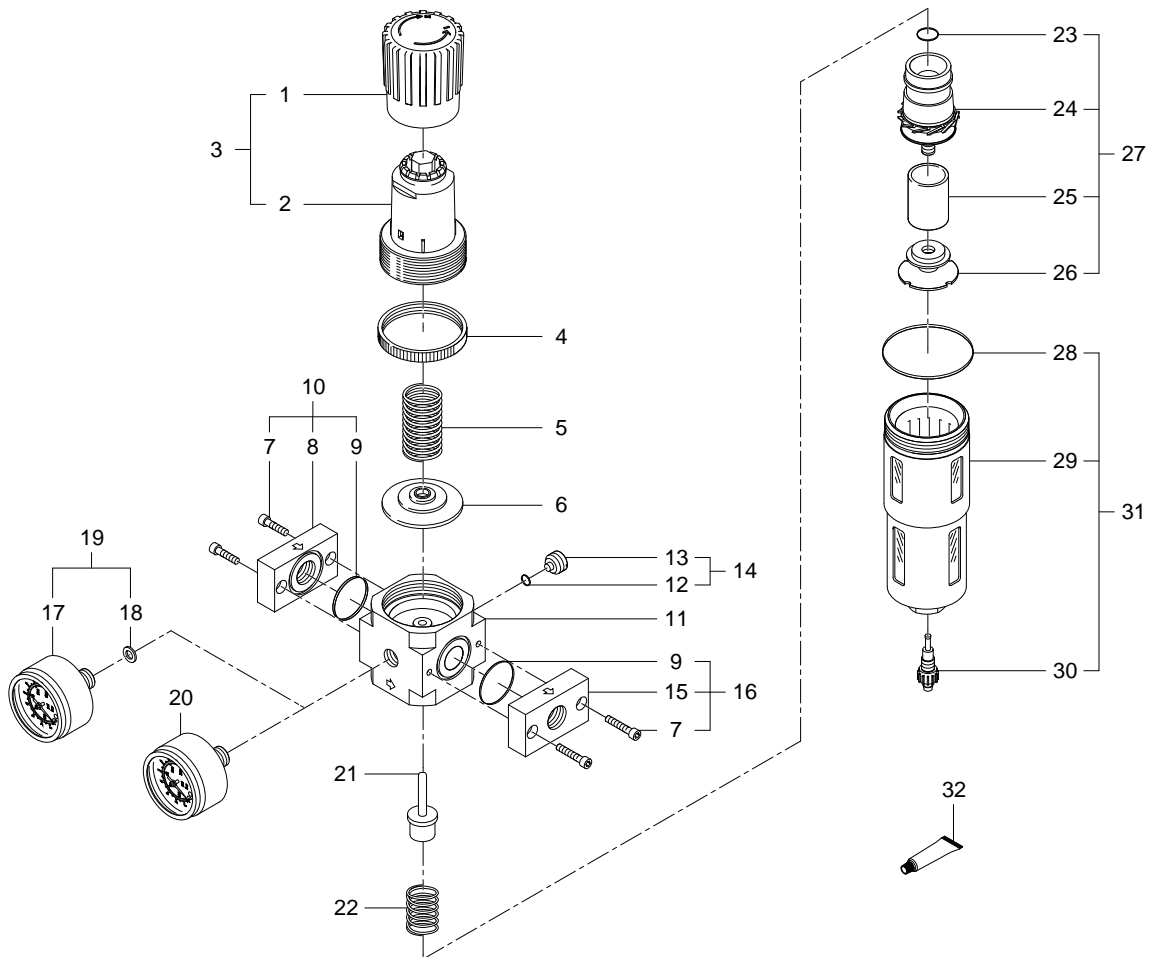


159582 LFR-3/8-D-MIDI filter regulator - Series: All



159582 LFR-3/8-D-MIDI filter regulator - Series: All

Pos.	Part no.	Type	Note	Qty.	Unit
A	394865	LFR-1/4-...-D-MIDI Set of wearing parts	Spare parts: 6, 9, 21, 23, 28	1	PC
1	395595	LR/LFR-...-D-MIDI Adjusting knob		1	PC
2		LR/LFR-D-MIDI Cover module	Not available separately, see position 3 Tightening torque 14 Nm / 10.3 lbf ft	1	PC
3	655461	LR/LFR-...-D-MIDI Adjusting knob	Position available until max. 12/31/2030!	1	PC
4	398012	LRVS-D-MIDI Knurled nut	Position available until max. 12/31/2028!	1	PC
5	345068	LR/LFR- -D-MIDI Compression spring		1	PC
6	671514	LR/LFR-...-D-MIDI Diaphragm	Use Festo special oil OFSW-32 here	1	PC
7	202824	ISO 4762-M5X18-8.8 Socket head screw	Tightening torque 2.5 Nm / 1.8 lbf ft	4	PC
8		PBL-3/8-D-MIDI-L Sub-base	Not available separately, see position 10	1	PC
9	200950	B-26X2-N-NBR75 O-ring ISO3601		2	PC
10	546501	PBL-3/8-D-MIDI-L Sub-base	Position available until max. 12/31/2030!	1	PC
11		LFR/LR-D-MIDI Housing module	Not available	1	PC
12	204469	B-6X1,5-N-NBR75 O-ring ISO3601		1	PC
13		LR/LFR-...-D-MIDI Plug screw	Not available separately, see position 14 Tightening torque 1.5 Nm / 1.1 lbf ft	1	PC
14	741046	LR/LFR-1/4-D-MID/MAX-ET Plug screw	Position available until max. 12/31/2028!	1	PC
15		PBL-3/8-D-MIDI-R Sub-base	Not available separately, see position 16	1	PC
16	546502	PBL-3/8-D-MIDI-R Sub-base	Position available until max. 12/31/2030!	1	PC
17			Not available separately, see position 19	1	PC
18	382522	MA -50-...-1/4 Sealing ring		1	PC
19	356759	MA-50-16-1/4 Pressure gauge		1	PC
20	8003639	PAGN-40-16-G14 Pressure gauge		1	PC
21	381356	LR/LFR-...-D-MIDI Disc seat valve	Grease using during assembly. See position 32	1	PC
22	345069	LR/LFR- -D-MIDI Compression spring		1	PC
23	200054	B-10X2-N-NBR75 O-ring ISO3601	Grease using during assembly. See position 32	1	PC
24		LF -D-MIDI Filter mounting	Not available separately, see position 27	1	PC
25	546488	LFP-D-MIDI-40M-U Filter cartridge	Please order this position from the catalogue as an accessory.	1	PC
26	349610	LF/LFR- -D-MIDI Separating disc	Tightening torque 0.9 Nm / 0.7 lbf ft Position available until max. 12/31/2030!	1	PC
27	645959	LFR- -D-MIDI Filter mounting	Tightening torque 5 Nm / 3.7 lbf ft Position available until max. 12/31/2030!	1	PC

Pos.	Part no.	Type	Note	Qty.	Unit
28	345071	B-49X2-N-NBR75 O-ring ISO3601	Use Festo special oil OFSW-32 here	1	PC
29		LF/LFR- -D-MIDI Filter bowl	Not available separately, see position 31	1	PC
30		LR/LFR-... Drain screw	Not available separately, see position 31 Tightening torque 0.4 Nm / 0.3 lbf ft	1	PC
31	646228	LF/LFR-D-MIDI:ERS Filter bowl	Tightening torque 3 Nm / 2.2 lbf ft	1	PC
32	397446	LUB-KB2-SILIKONFREI-20ML Lubricating grease		1	PC