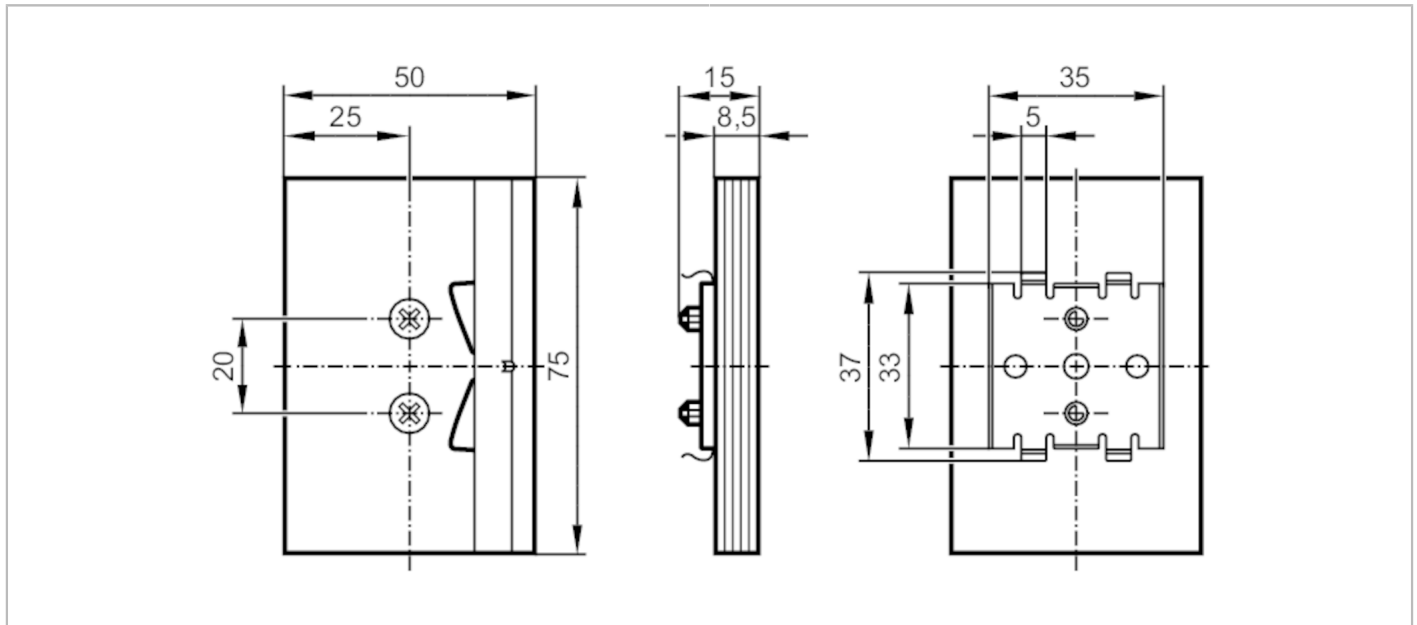


# E70432



## DIN rail adapter

Mounting Set for AC2750 - AC2753



Application	
Design	for PCB module AC2750...53
Mechanical data	
Weight [g]	55
Materials	screws: galvanised; DIN rail adapter: AlMgSi0.5 F22; mounting clip: C100S+QT galvanised
Accessories	
Items supplied	3M double-sided adhesive tape type 468 MP
Remarks	
Remarks	suitable for DIN rails TS35/7.5 and TS35/15 to EN 50022
Pack quantity	1 pcs.