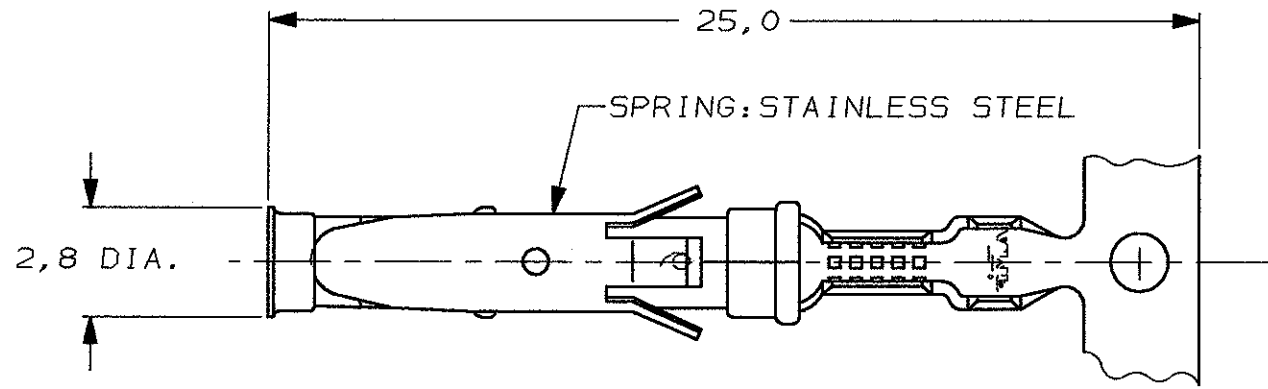
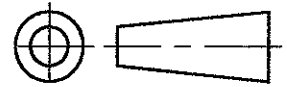


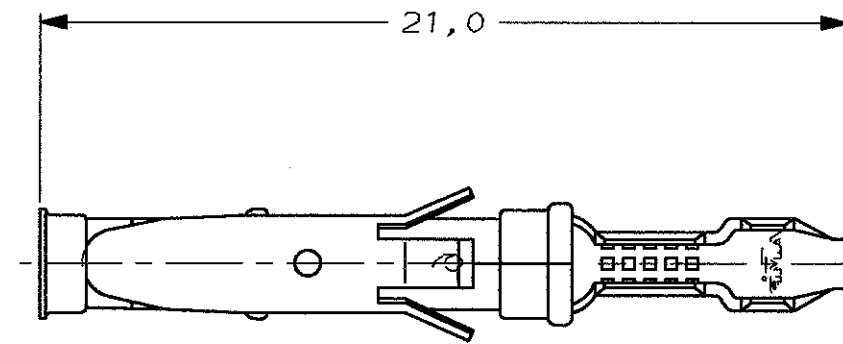
DO NOT SCALE
DIMENSIONS IN mm

METRIC

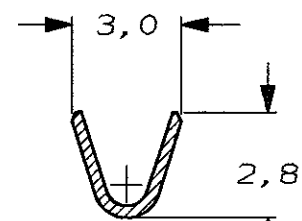
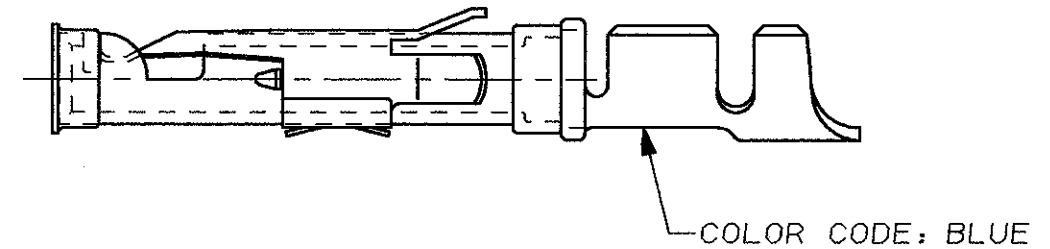
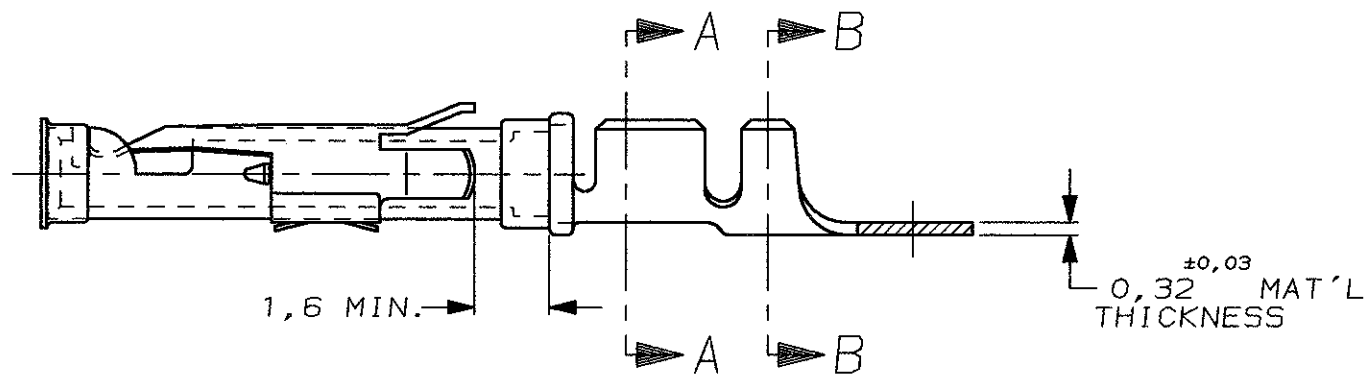
THIRD ANGLE
PROJECTION



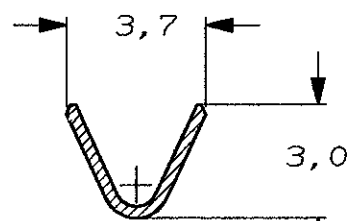
STRIP



LOOSE-PIECE



SECTION A-A



SECTION B-B

WIRE RANGE : 0,75-1,50 mm² (18-16 AWG)
INSUL. RANGE : 2,0 -2,5 mm (.080-.100)

NOTES :

- 1 U.L. RECONIZED UNDER FILE E28476 VOL.VI SEC.I .
- 2 FOR CRIMPDETAILS SEE AMP-SPEC. 114-19.000 .
- 3 MEETS PRODUCTSPECIFICATION 108-10042.
- 4 SPECIAL REEL WITH 200 PCS FOR REEL-FED HANDTOOL.

NOTES	MATERIAL	THICKNESS	AREA
20	TIN	2,0 μm	ALL OVER
21	NICKEL GOLD TIN/LEAD	0,8 μm	ALL OVER CONTACT AREA BARREL
22	NICKEL GOLD GOLD	0,8 μm	ALL OVER CONTACT AREA ALL OVER
23	NICKEL GOLD GOLD	1,2 μm	ALL OVER CONTACT AREA ALL OVER
24	NICKEL SILVER TIN/LEAD	2,5 μm	ALL OVER CONTACT AREA BARREL
25	SILVER NICKEL	1,5-2,5 μm 0,76 μm	ALL OVER ALL OVER
26	SILVER	2,5 μm	ALL OVER
27	NICKEL TIN/LEAD	1,27 μm	ALL OVER ALL OVER
28	LUBRICATED		

DIRECTION OFF TOP OF REEL	
AMPOMATOR + MINI-APPL. 107-3-F16.1	A
107-3-F16.2	B
107-3-F16.4	C

PARTNUMBER	DIRECTION OF REEL	LOOSE-PIECE	MATERIAL	PLATING
5-163083-3	A		BRASS	ECON. GOLD 21
5-163083-2	A		BRASS	SEL. GOLD 22
5-163083-1	A		BRASS	EL. TIN 20
1-163083-4	A	1-163084-4	BRASS	EL. TIN 31 20
1-163083-3	A	1-163084-3	BRASS	BR. TIN/LEAD 30
1-163083-2	A		BRASS	SILVER 28
1-163083-1	A		BRASS	ECON. GOLD 21
1-163083-0	B	1-163084-0	BRASS	ECON. GOLD 21
163083-9	B		BRASS	SILVER 28
163083-8	A		BRASS	EL. TIN 20
163083-7	A		BRASS	SEL. GOLD 22
163083-2	B	163084-2	BRASS	SEL. GOLD 22
163083-1	B	163084-1	BRASS	EL. TIN 20

AZ	EBD0-0003-05	AM	FWK	05/01/05	CUSTOMER DRAWING FOR REFERENCE ONLY WILL NOT BE UPDATED
AY	EBD0-0335-04	JMS	FWK	02/08/04	
V	EH-1020-98	D.K.	R.V.	08 JUL 98	© COPYRIGHT 19- BY AMP HOLLAND B.V. ALL INTERNATIONAL RIGHTS RESERVED. AMP PRODUCTS MAY BE COVERED BY U.S. AND FOREIGN AND/OR PATENTS PENDING. THIS DRAWING IS UNPUBLISHED RELEASED FOR PUBLICATION ,19
U	EH-1347-96	JvL	RV	21-11-96	
T	EH-0302-94	JvL	MvD	03-05-94	AMP HOLLAND B.V. 's-Hertogenbosch, The Netherlands.
S	ECN H-9813	JvdH	RD	18-05-92	
R	ECN H-9192	MvD	RD	09-10-91	SOCKET TYPE III CONTACT SIZE 16
LTR.	REVISION RECORD	DR.	CHK.	DATE	
DR.:	-	CHK.:	-	APP.:	DATE:
DATE:	-	DATE:	-	DATE:	-
DWG. No.		REV. LTR.		SHEET	
163083		AZ		1 OF 1	