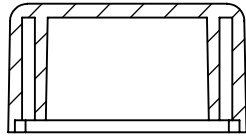


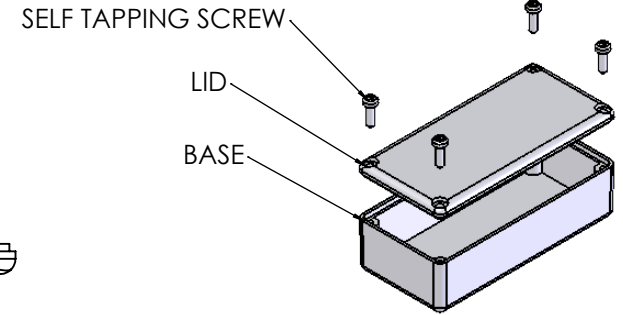
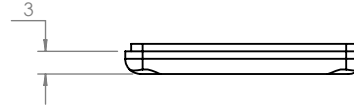
OVERALL ASSEMBLY DIMENSIONS:

EXTERNAL - 66.5 x 31.5 x 20

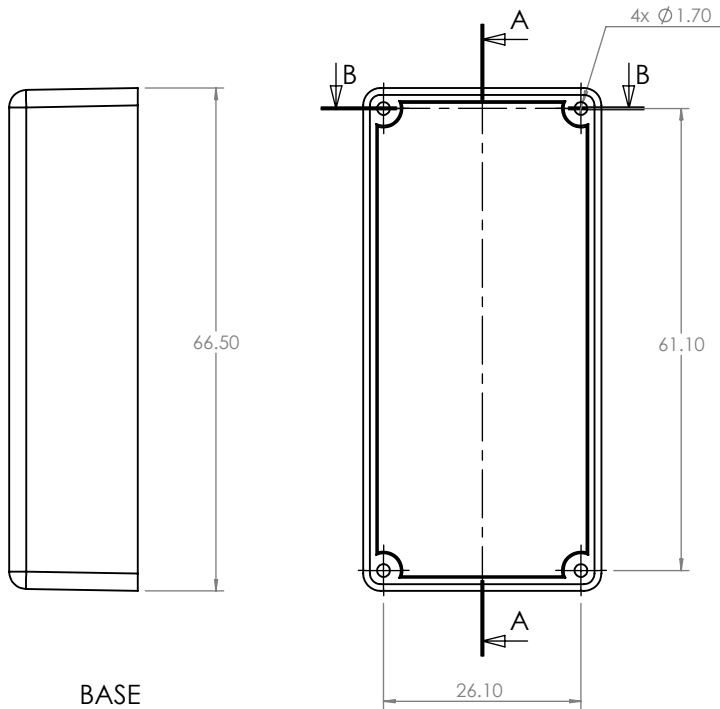
INTERNAL - 63 x 28 x 16



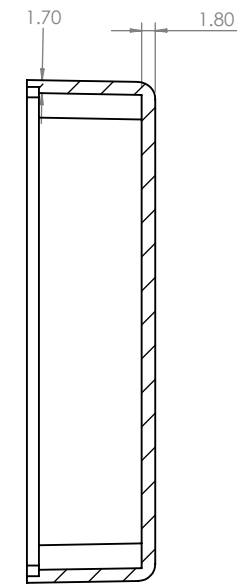
SECTION B-B



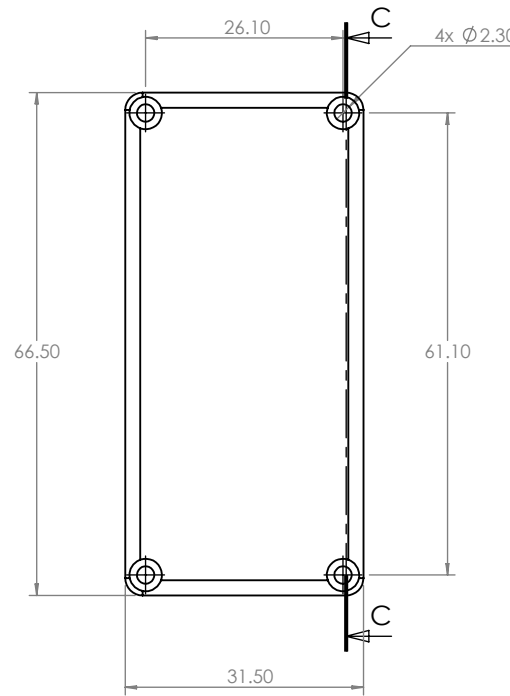
ISO VIEW
1:2



BASE

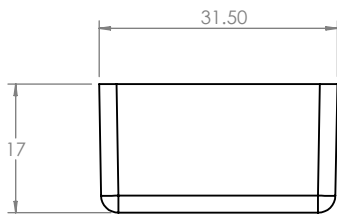


SECTION A-A



LID

SECTION C-C



CAMDENBOSS
ELECTRONICS & ENCLOSURES

JAMES CARTER RD, MILDENHALL, SUFFOLK, IP28 7DE
TEL: 01638 716101 FAX: 01638 716554
EMAIL: SALES@CAMDENBOSS.COM
WEB: WWW.CAMDENBOSS.COM

UNLESS OTHERWISE SPECIFIED:
DIMENSIONS ARE IN MILLIMETERS

FINISH:
LIGHT SPARK

MATERIAL:
ABS

PROJECTION.

DO NOT SCALE DRAWING

REVISION. 0

TITLE:

ASSEMBLY DRG FOR RX2KL07

DWG NO.

RX2KL07

A4

SCALE. 1 : 1

SHEET 1 OF 1

	NAME	SIGNED	DATE
DRAWN	S.HARDINGE	SJH	15/03/07
CHKD	-	-	-