

FEATURES

- **Copper body material for high conductivity and easy crimping**
- **Tin plating for resistance to corrosion**
- **Added strength and excellent conductivity**
- **Vinyl insulation for electrical insulation and terminal protection**
- **Colour coded insulation for easy identification of terminal size**
- **Expanded insulation entry for easy wire insertion**

RS PRO Insulated Ring Terminal, M6 Stud Size, 4mm² to 6mm² Wire Size, Yellow

RS Stock No.: 613-9413



RS Professionally Approved Products bring to you professional quality parts across all product categories. Our product range has been tested by engineers and provides a comparable quality to the leading brands without paying a premium price.

Product Description

From RS PRO a high-quality insulated crimp ring terminal, also known as a ring connector or cable lug. Ring crimp terminals are used for connecting an electrical cable or wire to a stud or a post on an electrical component such as a battery terminal. This ring terminal is made from highly conductive copper and then tin plated for maximum electrical conductivity and corrosion resistance. A colour coded vinyl insulation provides protection to the terminal and aids quick identification of the terminal size. Once correctly crimped onto a wire or cable this ring terminal will provide a secure and reliable electrical connection.

General Specifications

Insulation	Insulated
Insulation Material	Vinyl
Colour	Yellow
Contact Material	Copper
Contact Plating	Tin
Stud Size	M6
Application	Wide range of industries for connecting wires to electrical components. Applications include wiring in industrial control systems and industrial machines, automotive applications, communication equipment, power supplies and domestic appliances.

Electrical Specifications

Maximum Electrical Rating	105°C 600 VOLTS MAX.
Maximum Electrical Current	12 AWG: 35A, 10 AWG: 50A

Mechanical Specifications

Thickness	1mm
Overall Length	29.5mm
Inner Ring Diameter	6.4mm
Outer Ring Diameter	12mm
Maximum Wire Size	6mm ²
Minimum Wire Size	4mm ²
Maximum Wire Size (AWG)	10AWG
Minimum Wire Size (AWG)	12AWG

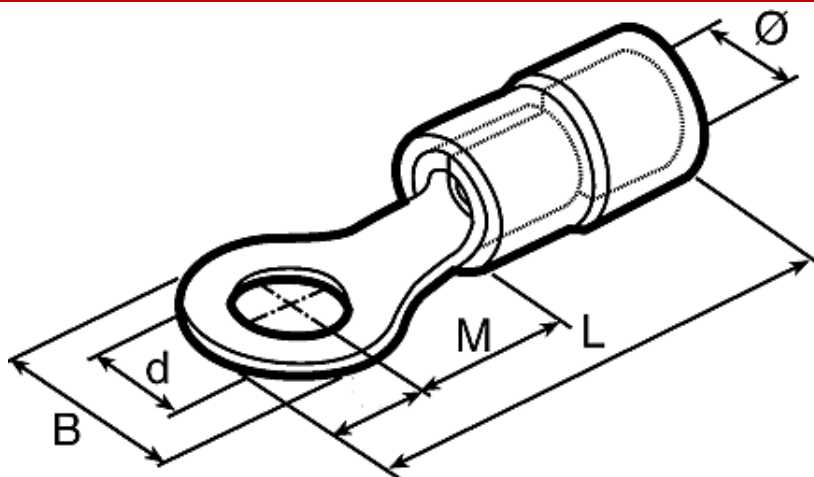
Operation Environment Specifications

Maximum Operating Temperature	150°C
--------------------------------------	-------

Approvals

Compliance/Certifications	UL
----------------------------------	----





Wire Size	Colour	Stud Size	Replacement Stock Number
0.5 to 1.5 mm ²	Red	M4	613-9249
1.5 to 2.5 mm ²	Blue	M4	613-9508
1.5 to 2.5 mm ²	Blue	M5	613-9312
4 to 6 mm ²	Yellow	M6	613-9413
0.5 to 1.5 mm ²	Red	M4	613-9479
1.5 to 2.5 mm ²	Blue	M4	613-9435

MAXIMUM ELECTRIC CURRENT:

A.W.G.	12	10
AMP.	35	50



MAXIMUM ELECTRICAL RATING: 105°C 600 VOLTS MAX.

INSULATION MATERIAL: VINYL

INSULATION COLOR: 12-10A.W.G.: YELLOW

TERMINAL MATERIAL: COPPER

WIRE RANGE A.W.G. mm ²	ITEM NO.	STUD SIZE	DIMENSION inch(mm)							
			BUTTED SEAM		d2	W	F	L	E	D
12-10 A.W.G. 4 6 mm ²	<input type="checkbox"/> 613-9413	1/4	0.252 6.4	0.472 12	0.413 10.5	1.161 29.5	0.512 13	0.252 6.400	0.134 3.4	0.039 1

