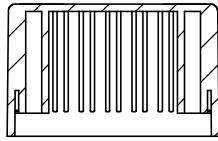


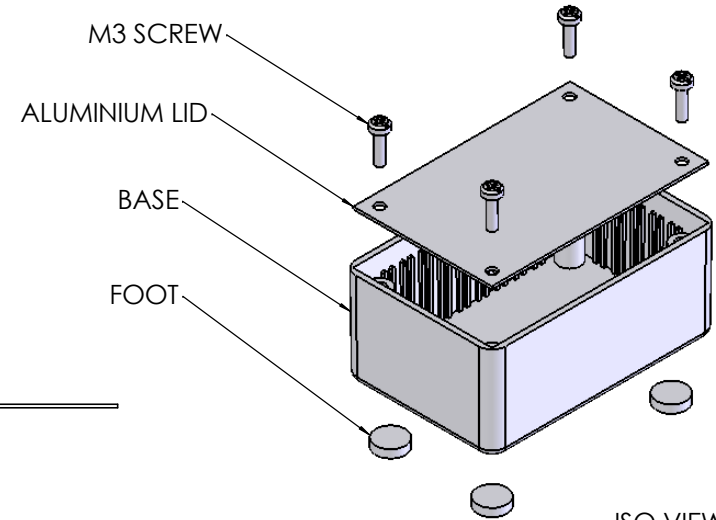
OVERALL ASSEMBLY DIMENSIONS:

EXTERNAL - 85 x 56 x 35

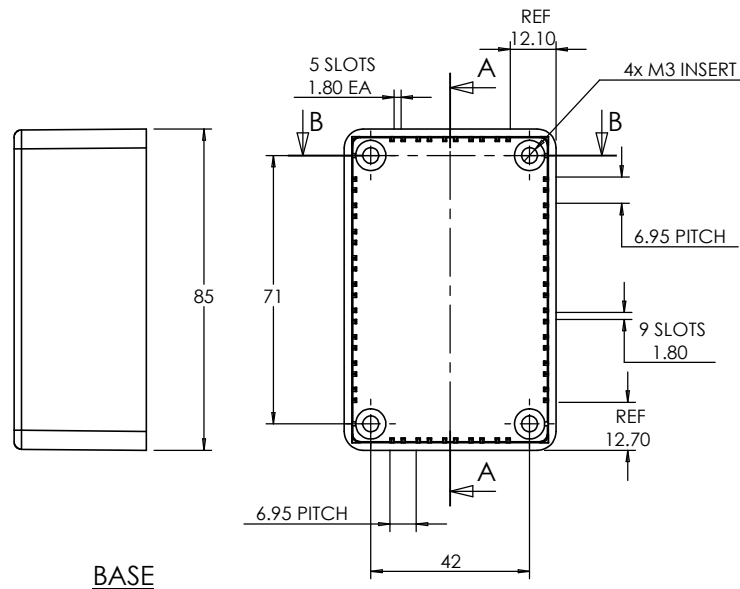
INTERNAL - 81 x 52 x 27



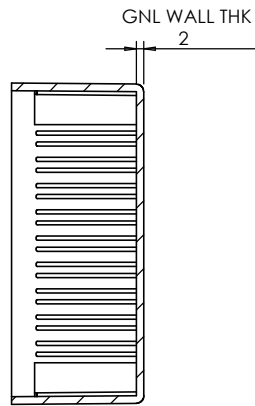
SECTION B-B



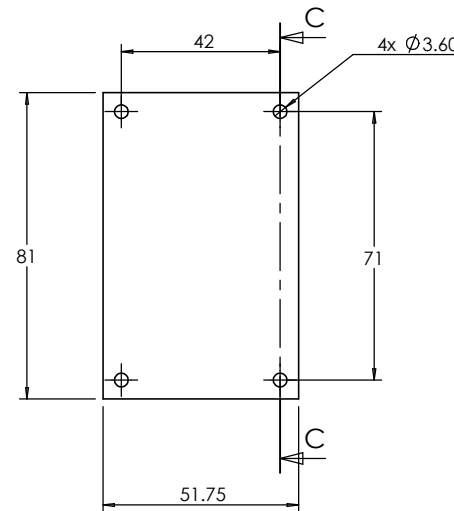
ISO VIEW  
1:2



BASE

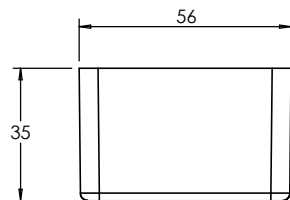


SECTION A-A



SECTION C-C

LID



 JAMES CARTER RD, MILDENHALL, SUFFOLK. IP28 7DE TEL: 01638 716101 FAX: 01638 716554 EMAIL: Sales@CamdenBoss.com WEB: www.CamdenBoss.com				UNLESS OTHERWISE SPECIFIED: DIMENSIONS ARE IN MILLIMETERS		DO NOT SCALE DRAWING		REVISION. 0	
				FINISH. <b>SMOOTH</b>		TITLE: <b>ASSEMBLY DRG FOR 4003</b>			
DRAWN S.HARDINGE		SIGNED SJH		DATE 30/11/05		MATERIAL. ABS & ALUMINIUM		DWG NO. <b>4003</b>	
CHKD -		-		-		PROJECTION.		SCALE: 1:2	
								SHEET 1 OF 1	

A4