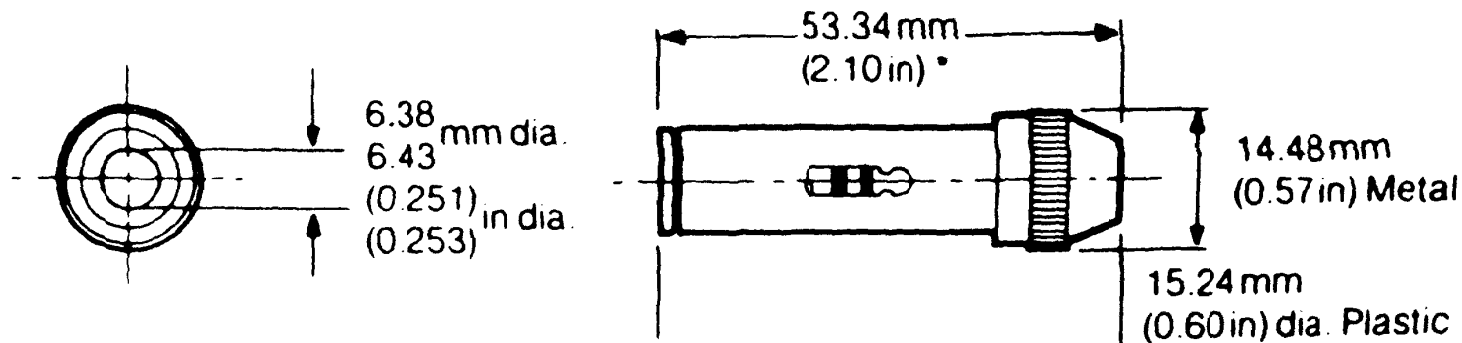




Technical Library **.025in Line Socket 3 Pole**



Specification

Voltage	100V ac/dc max.
Current	2A max. Derate above 75V by 50mA per volt
Current (short term)	5A max. for 15 seconds
Power	150W max. (resistive). Derate below 75V by 2W per volt
Contact resistance	25mΩ max.
Insulation resistance	1000MΩ min. @ 500V dc
Mechanical life	10,000 insertions without catastrophic failure

RS Components shall not be liable for any liability or loss of any nature (howsoever caused and whether or not due to RS components' negligence) which may result from the use of any information provided in RS literature.

RS Components Ltd. PO Box 99, Corby, Northants, NN17 9RS

 An Electrocomponents Company

Telephone: 01535 201234
© RS Components Ltd. 1999