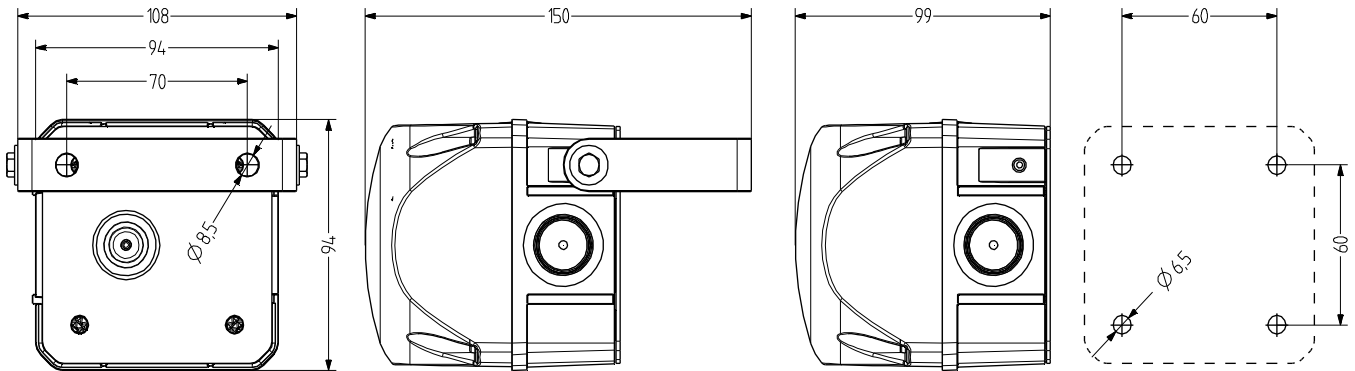


# QFS Xenon strobe beacon

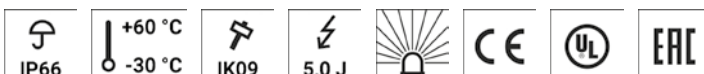
- 94 mm cubic-design xenon strobe beacon
- Good frontal and lateral signalling effect
- Combinations of beacons and multi-tone alarm sounders possible
- UV-stabilised material
- 5 J strobe energy
- High degree of protection IP 66 & impact resistance IK09
- For industrial and general applications



## TECHNICAL DATA

Housing	94 mm (square), Polycarbonate red (RAL 3000)
Lens	Polycarbonate, ribbed inside orange, red, clear, blue, green or yellow
Type of mounting	any
Cable entry	Back: Grommet 5–10 mm, optional side cable entry with cable gland (on both sides) (accessory type AKV)
Connection technology	Screw/plug-in terminal 2,5 mm <sup>2</sup>
Leakage current	0,003 A (PLC-suitable)
Beacon type	Xenon strobe beacon

Light source	Xenon tube
Luminous intensity	5 J Strobe energy
Strobe/flash frequency	1 Hz
Duty cycle	100 %
Service life	Light source: 5 million flashes
Operating temperature	-30°C/+60°C
Degree of protection	IP66 & UL Type 4/4x/13
Impact resistance	IK09
Weight	300 g



# QFS

## ORDER DATA

Lens colour	Nominal voltage	Voltage range (V)	Nominal current (A)	Order number
orange	24-48 V AC/DC	18-53	0,450	874 561 408
	110-120 V AC	+/- 10 %	0,150	874 561 310
	230-240 V AC	+/- 10 %	0,075	874 561 313
red	24-48 V AC/DC	18-53	0,450	874 562 408
	110-120 V AC	+/- 10 %	0,150	874 562 310
	230-240 V AC	+/- 10 %	0,075	874 562 313
clear	24-48 V AC/DC	18-53	0,450	874 564 408
	110-120 V AC	+/- 10 %	0,150	874 564 310
	230-240 V AC	+/- 10 %	0,075	874 564 313
blue	24-48 V AC/DC	18-53	0,450	874 565 408
	110-120 V AC	+/- 10 %	0,150	874 565 310
	230-240 V AC	+/- 10 %	0,075	874 565 313
green	24-48 V AC/DC	18-53	0,450	874 566 408
	110-120 V AC	+/- 10 %	0,150	874 566 310
	230-240 V AC	+/- 10 %	0,075	874 566 313
yellow	24-48 V AC/DC	18-53	0,450	874 567 408
	110-120 V AC	+/- 10 %	0,150	874 567 310
	230-240 V AC	+/- 10 %	0,075	874 567 313



AMK



AB1



AG1



AKV

## ACCESSORIES

Type	Type of accessory	Weight	Order number
AMK	Mounting set for combining several pieces of signalling equipment of the same size	10 g	874 010 900
AB1	Mounting set for metal bracket for mounting in any direction (e.g. on mounting platforms)		874 031 900
AG1	Flat seal for correct IP66 installation on smooth surfaces		874 021 900
AKV	Cable gland M20x1,5		698 800 026



Strobe