

HellermannTyton

DATA SHEET

H, TH &HH: Polychloroprene

DESCRIPTION

The H range of tubing is extruded from a specially formulated polychloroprene rubber compound that offers excellent elastomeric properties, H sleeves are supplied fully severed.

APPLICATION

The sleeves are ideally suited for the binding of cable harnesses where a high degree of expansion may be required (x 5D whilst fitting and x 2D in service).

It can be used in Aerospace, Automotive, Construction, Consumer Electronics, Defence, Mass Transit and Telecommunications applications.

PROPERTIES

Properties	Typical Results	Test Method
Material	Polychloroprene	
Continuous Operating Temp	-65 °C to +95 °C	IEC 216
Intermittent Temperature	+120 °C	
Flammability	HB	UL 94 (3mm)
Oxygen Index	28.3	BS 2782:M143
Proof Voltage	4KV	BS G 198-1
Volume Resistivity	$10^{12} \Omega\text{cm}$	BS G 198-1
Resistance to		
Acids	Good	BS G 198-1
Alkalis	Good	
Oils	Good	
Fuels	Good	
Moisture	Good	
UV	Good	
Ozone	Good	
Shelf Life (<40 °C)	7 + 3 years	
Colours	Standard resistor colour code & Pink	

STANDARDS

Approved to: BS G 198-1 T 1, Def-Stan 59-15 T D2a, 2b, 2c

Conforms to: BS3858 T 1

Issue 11

Plymouth International Medical & Technology Park,
William Prance Road, Plymouth, Devon PL6 5WR, England
Telephone: +44 (0) 1752 701261; Fax: +44 (0) 1752 790058

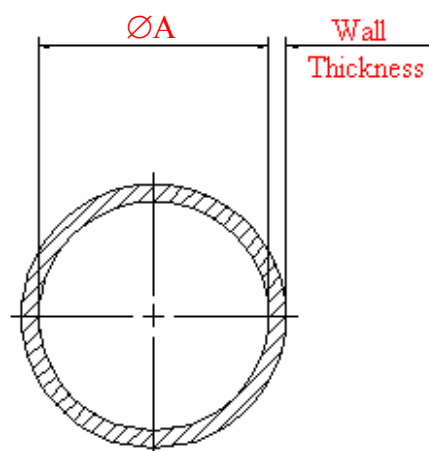
08-2013

HellermannTyton

DATA SHEET

H, TH& HH: Polychloroprene

TH/H/HH	NOMINAL DIMENSIONS (MM)			
	ØA	TH WALL	H WALL	HH WALL
5	0.5	0.50	0.70	-
8	0.8	0.50	0.80	-
10	1.0	0.50	0.80	-
12	1.2	0.50	0.80	-
15	1.5	0.60	0.80	-
20	2.0	0.60	0.80	-
25	2.5	0.60	0.80	1.70
30	3.0	0.60	0.80	-
40	4.0	0.80	1.05	1.50
50	5.0	0.80	1.05	1.50
60	6.0	-	1.05	-
75	7.5	0.90	1.25	-
100	10.0	1.00	1.50	-
120	12.0	1.05	1.60	-
150	15.0	1.15	1.70	-
160	16.0	1.20	1.80	-
200	20.0	1.20	2.05	-
250	25.0	-	2.05	-



Issue 11

Plymouth International Medical & Technology Park,
William Prance Road, Plymouth, Devon PL6 5WR, England
Telephone: +44 (0) 1752 701261; Fax: +44 (0) 1752 790058

08-2013