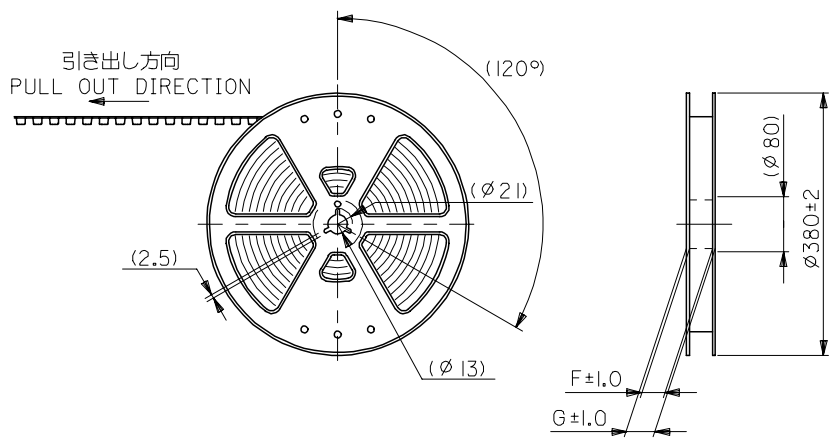
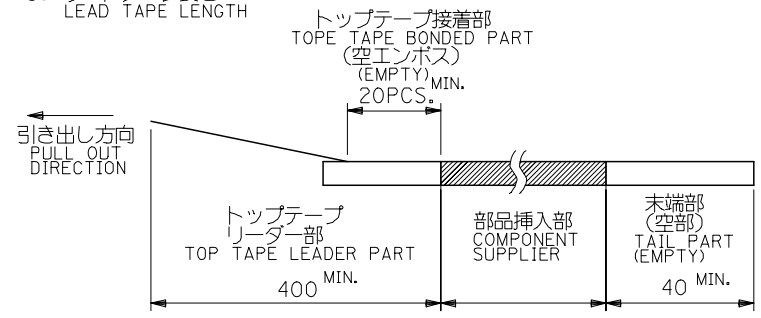


10 9 8 7 6 5 4 3 2 1



注)
NOTES

- 製品番号54363-**81 詳細寸法については、製品単体図面を参照下さい。
IN THE PACKAGE PART NUMBER 54363-**81 DETAILED DIMENSIONS, SEE SALES DRAWING FOR CONNECTOR.
- 梱包数量：2500個/リール
NUMBER OF CONNECTORS:2500 PCS/REEL.
- リードテープ長さ
LEAD TAPE LENGTH



- 材料
MATERIAL
キャリアテープ：ポリプロピレン (PP)
CARRIER TAPE:POLYPROPYLENE(PP)
トップテープ：PET, PE, PE F
TOP TAPE:PET,PE,PEF
リール：ポリスチレン
REEL:POLYSTYRENE

| | | | | | | | | | | |
|------|------|-------------------------------------|------|------|------|-------|------------|----------------------|----------------|-------------------|
| 61.4 | 57.4 | 56±0.3 | 52.4 | 44.2 | 26.2 | 40.55 | 54363-1689 | 160 | — | |
| | | | | 39.2 | | 35.55 | 54363-1489 | 140 | ○ | |
| 49.4 | 45.4 | 44±0.3 | 40.4 | 31.7 | 20.2 | 28.05 | 54363-1189 | 110 | ○ | |
| | | | | 29.2 | | 25.55 | 54363-1089 | 100 | ○ | |
| | | | | 26.7 | | 23.05 | 54363-0989 | 90 | — | |
| 37.4 | 33.4 | 32±0.3 | 28.4 | 24.2 | 14.2 | 20.55 | 54363-0889 | 80 | ○ | |
| | | | | 21.7 | | 18.05 | 54363-0789 | 70 | ○ | |
| | | | | 19.2 | | 15.55 | 54363-0689 | 60 | ○ | |
| 29.4 | 25.4 | 24±0.3 | — | 16.7 | 11.5 | 13.05 | 54363-0589 | 50 | ○ | |
| | | | | 14.2 | | 10.55 | 54363-0489 | 40 | ○ | |
| | | | | 11.7 | | 8.05 | 54363-0389 | 30 | ○ | |
| 21.4 | 17.4 | 16±0.3 | — | 9.2 | 7.5 | 5.55 | 54363-0289 | 20 | ○ | |
| G | F | E キャリアテープ幅 CARRIER TAPE WIDTH | | D | (C) | (B) | (A) | 製品番号 MATERIAL NO. | 極数 CIRCUITS | 量産対応 AVAILABLE |

| | | | | | | | | |
|---|--|-------|--|--------------------|---|------------------------|------------------------------|---------------------|
| REVISED EC NO: J2007-1632 DRWN: NABEI 2006/12/05 CHKDK: TOYODA 2006/12/06 APPR: NUKITA 2006/12/07 | GENERAL TOLERANCES (UNLESS SPECIFIED) | | DIMENSION STYLE MM ONLY | | SCALE --- | DESIGN UNITS METRIC | THIRD ANGLE PROJECTION | |
| | 10 UNDER | ±0.2 | DRAWN BY Y. AOYAGI | DATE 2006/11/08 | TITLE EMBOSSD TAPE PACKAGE FOR 54363-**81 | | | |
| | 10 OVER 30 UNDER | ±0.25 | CHECKED BY K. TOYODA | DATE 2006/11/08 | MATERIAL NO. | | | |
| | 30 OVER | ±0.3 | APPROVED BY N. UKITA | DATE 2006/11/08 | MOLEX INCORPORATED | | | |
| | ANGULAR | ±3 ° | DRAFT WHERE APPLICABLE MUST REMAIN WITHIN DIMENSIONS | | SEE CHART | | DOCUMENT NO. SD-54363-049 | SHEET NO. 1 OF 2 |

10 9 8 7 6 5 4 3 2 1

F

E

D

C

B

A

F

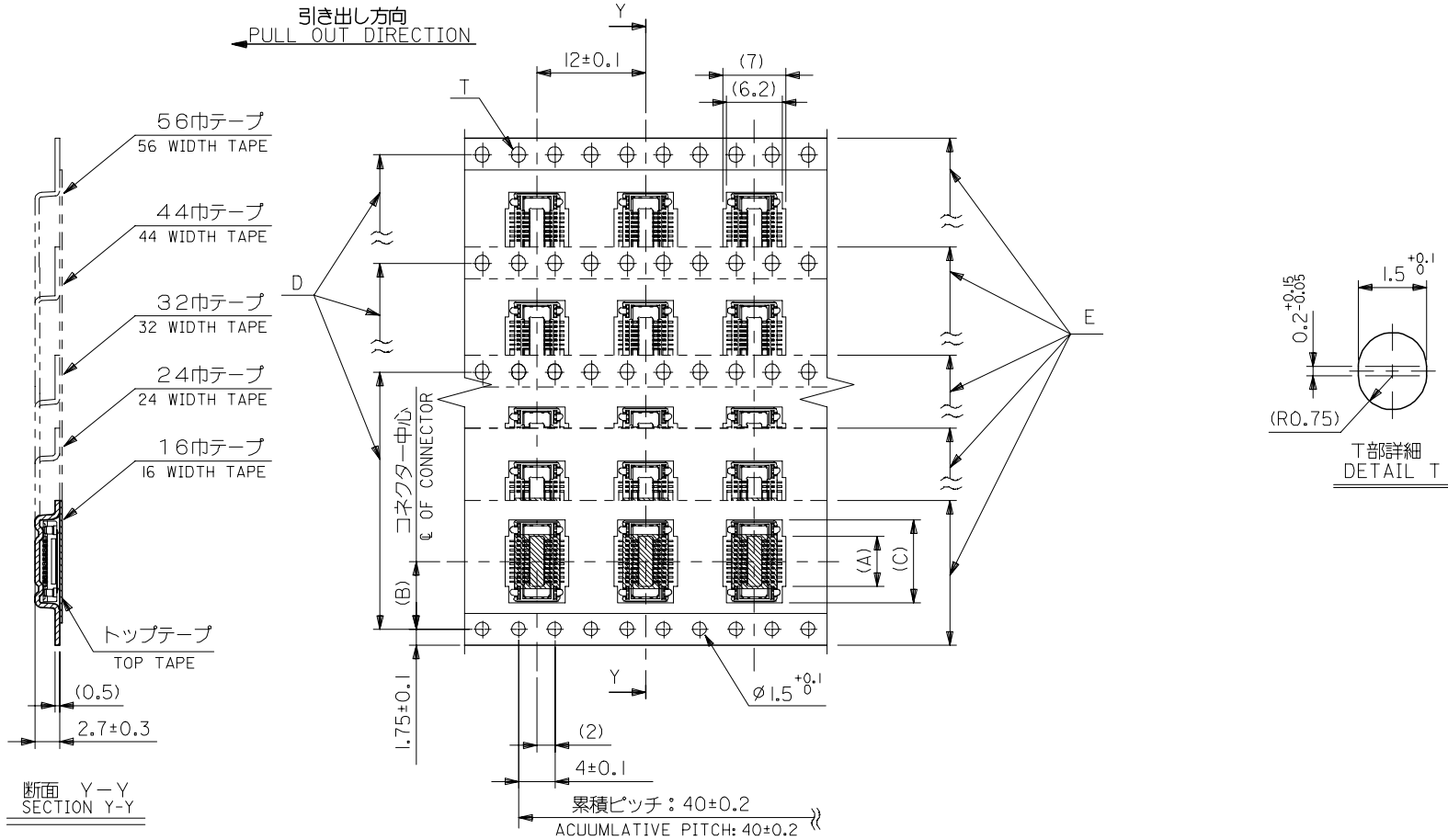
E

D

C

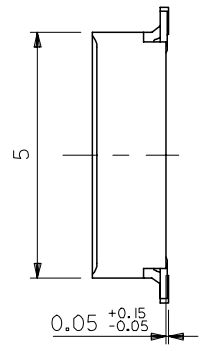
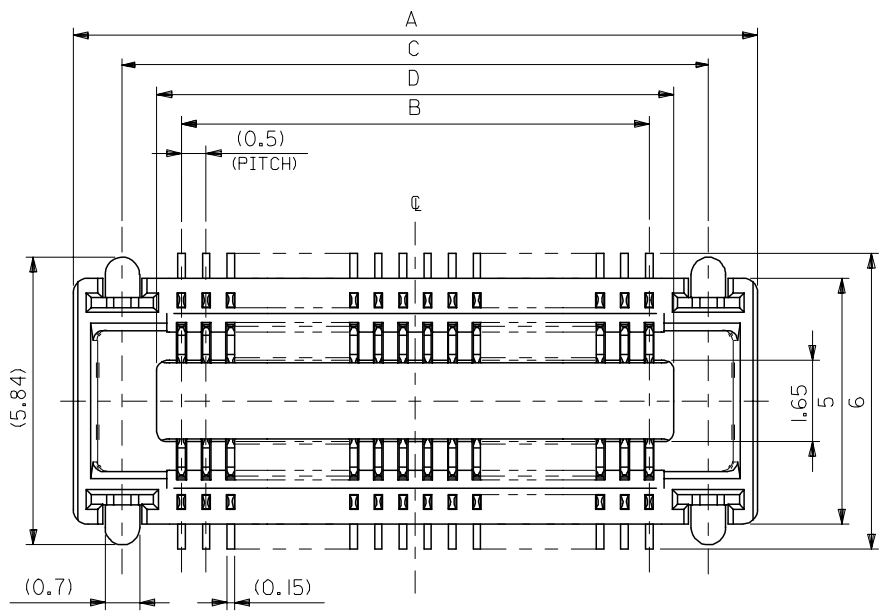
B

A



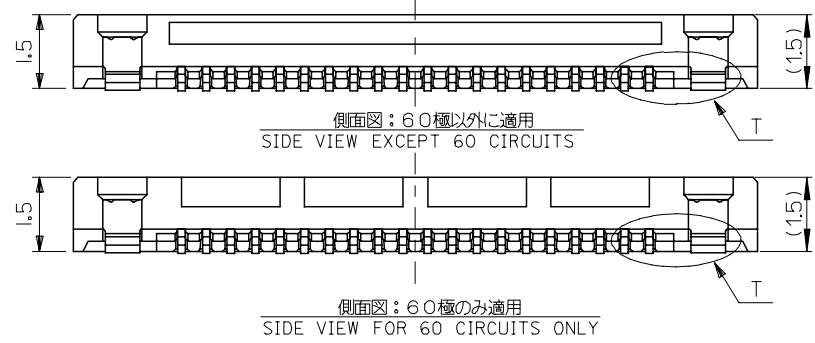
| | | | | | | | | |
|--|---------------------------------------|---|----------------------------|--------------------|--|------------------------|------------------------|--|
| REVISED EC NO: J2007-1632 DRWN: NABEI CHKDK: TOYODA APPR: NUKITA 2006/12/05 2006/12/06 2006/12/07 | GENERAL TOLERANCES (UNLESS SPECIFIED) | | DIMENSION STYLE MM ONLY | | SCALE --- | DESIGN UNITS METRIC | THIRD ANGLE PROJECTION | |
| | 10 UNDER | ±0.2 | DRAWN BY Y. AOYAGI | DATE 2006/11/08 | TITLE EMBOSSSED TAPE PACKAGE FOR 54363-**81 | | | |
| | 10 OVER 30 UNDER | ±0.25 | CHECKED BY K. TOYODA | DATE 2006/11/08 | MATERIAL NO. | | | |
| | 30 OVER | ±0.3 | APPROVED BY N. UKITA | DATE 2006/11/08 | DOCUMENT NO. SD-54363-049 | | | |
| | ANGULAR | ±3 ° | SEE SHEET 1 | | SHEET NO. 2 OF 2 | | | |
| DRAFT WHERE APPLICABLE MUST REMAIN WITHIN DIMENSIONS | | THIS DRAWING CONTAINS INFORMATION THAT IS PROPRIETARY TO MOLEX INCORPORATED AND SHOULD NOT BE USED WITHOUT WRITTEN PERMISSION | | | | | | |

10 9 8 7 6 5 4 3 2 1



注記
NOTES:

1. 材質
MATERIAL
ハウジング: LCP (液晶ポリマー)、ガラス充填、黒色、UL94V-0
HOUSING: LCP LIQUID CRYSTAL POLYMER, GLASS FILLED, BLACK, UL94V-0
ターミナル: 銅合金 (t=0.15)
TERMINAL: COPPER ALLOY (t=0.15)
ネイル: 銅合金 (t=0.2)
NAIL: COPPER ALLOY (t=0.2)
2. メッキ仕様
PLATING
ターミナル
TERMINAL
接点部: 金メッキ 0.25マイクロメートル以上
CONTACT AREA: GOLD 0.25 MICROMETER MINIMUM
半田付け部: 金メッキ 0.4マイクロメートル以下
SOLDER TAIL AREA: GOLD 0.4 MICROMETER MAXIMUM
下地メッキ: ニッケルメッキ 1.5マイクロメートル以上
UNDER PLATING: NICKEL 1.5 MICROMETER MINIMUM
ネイル
NAIL
錫メッキ 3.0マイクロメートル以上
TIN 3.0 MICROMETER MINIMUM
下地メッキ: ニッケルメッキ 1.0マイクロメートル以上
UNDER PLATING: NICKEL 1.0 MICROMETER MINIMUM
3. テール平坦度は、0.08ミリメートル以下。テールとネイルを併せた平坦度は、0.1ミリメートル以下。
TAIL COPLANARITY TO BE 0.08 MAXIMUM. TAILS AND NAILS COPLANARITY TO BE 0.1 MAXIMUM.
4. 嵌合相手: 55201-****, 55650-**** (H=2mm)
MATED CONN.: 55201-****, 55650-**** (H=2mm)
5. 本製品は、54363-xx71(エンボス梱包品 54363-xx78)のニッケルバリア品である。
THIS PRODUCT IS 'NICKEL BARRIER' OF 54363-xx71(EMBOSSED TAPE PKG 54363-xx78).



| | | | | | | | |
|------|------|------|------|------------------------------------|----------------------|----------------|-------------------|
| 40.5 | 41.9 | 39.5 | 43.9 | 54363-1689 | 54363-1681 | 160 | — |
| 35.5 | 36.9 | 34.5 | 38.9 | 54363-1489 | 54363-1481 | 140 | ○ |
| 30.5 | 31.9 | 29.5 | 33.9 | 54363-1289 | 54363-1281 | 120 | ○ |
| 28 | 29.4 | 27 | 31.4 | 54363-1189 | 54363-1181 | 110 | ○ |
| 25.5 | 26.9 | 24.5 | 28.9 | 54363-1089 | 54363-1081 | 100 | ○ |
| 23 | 24.4 | 22 | 26.4 | 54363-0989 | 54363-0981 | 90 | — |
| 20.5 | 21.9 | 19.5 | 23.9 | 54363-0889 | 54363-0881 | 80 | ○ |
| 18 | 19.4 | 17 | 21.4 | 54363-0789 | 54363-0781 | 70 | ○ |
| 15.5 | 16.9 | 14.5 | 18.9 | 54363-0689 | 54363-0681 | 60 | ○ |
| 13 | 14.4 | 12 | 16.4 | 54363-0589 | 54363-0581 | 50 | ○ |
| 10.5 | 11.9 | 9.5 | 13.9 | 54363-0489 | 54363-0481 | 40 | ○ |
| 8 | 9.4 | 7 | 11.4 | 54363-0389 | 54363-0381 | 30 | ○ |
| 5.5 | 6.9 | 4.5 | 8.9 | 54363-0289 | 54363-0281 | 20 | ○ |
| D | C | B | A | エンボス梱包品 EMBOSSED TAPE PACKAGING | 製品番号 MATERIAL NO. | 極数 CIRCUITS | 量産対応 AVAILABLE |

| | | | | | | | |
|---|---------------------------------------|---|----------------------------|--------------------|---|------------------------|------------------------|
| REVISED EC NO: J2008-1106 DRWN: AOYAGI 2007/10/04 CHKD: TOYODA 2007/10/05 APPR: NUKITA 2007/10/05 | GENERAL TOLERANCES (UNLESS SPECIFIED) | | DIMENSION STYLE MM ONLY | | SCALE 10:1 | DESIGN UNITS METRIC | THIRD ANGLE PROJECTION |
| | 10 UNDER | ±0.2 | DRAWN BY Y. AOYAGI | DATE 2006/11/08 | TITLE 0.5 MM PITCH B/B CONN. WITH FITTING NAIL -LEAD FREE- | | |
| | 10 OVER 30 UNDER | ±0.25 | CHECKED BY K. TOYODA | DATE 2006/11/08 | MOLEX INCORPORATED | | |
| | 30 OVER | ±0.3 | APPROVED BY N. UKITA | DATE 2006/11/08 | DOCUMENT NO. SD-54363-050 | SHEET NO. 1 OF 2 | |
| | ANGULAR ±3 ° | DRAFT WHERE APPLICABLE MUST REMAIN WITHIN DIMENSIONS | | SEE CHART | | | |
| | | THIS DRAWING CONTAINS INFORMATION THAT IS PROPRIETARY TO MOLEX INCORPORATED AND SHOULD NOT BE USED WITHOUT WRITTEN PERMISSION | | | | | |

10 9 8 7 6 5 4 3 2 1

F

E

D

C

B

A

F

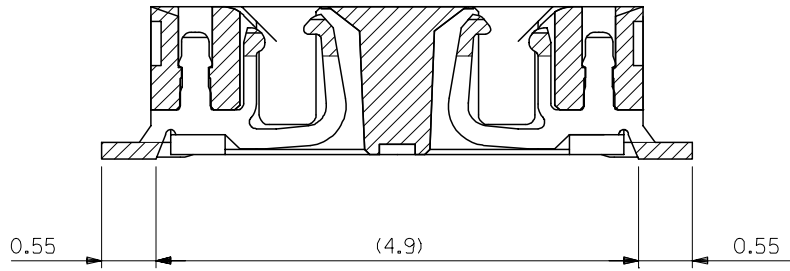
E

D

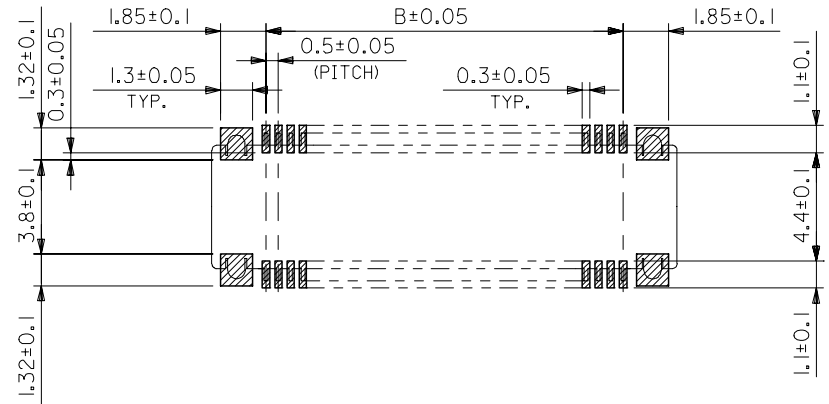
C

B

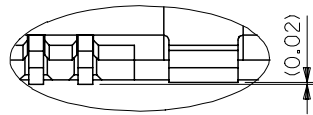
A



半田付け部詳細図
DETAIL FOR SOLDERING AREA



推奨基板寸法
RECOMMENDED PCB PATTERN LAYOUT
(SCALE 5:1)



T部詳細
DETAIL T

| | | | | | | |
|--|---------------------------------------|------------|---|--------------------|---|------------------------|
| REVISED EC NO: J2008-1106 DRWN: A0YAGI 2007/10/04 CHKD: KTOYODA 2007/10/05 APPR: NUKITA 2007/10/05 | GENERAL TOLERANCES (UNLESS SPECIFIED) | | DIMENSION STYLE MM ONLY | SCALE 10:1 | DESIGN UNITS METRIC | THIRD ANGLE PROJECTION |
| | 10 UNDER | ±0.2 | DRAWN BY Y. A0YAGI | DATE 2006/11/08 | TITLE 0.5 MM PITCH B/B CONN. WITH FITTING NAIL -LEAD FREE- | |
| | 10 OVER 30 UNDER | ±0.25 | CHECKED BY K. TOYODA | DATE 2006/11/08 | MOLEX INCORPORATED | |
| | 30 OVER | ±0.3 | APPROVED BY N. UKITA | DATE 2006/11/08 | | |
| | ANGULAR | ±3 ° | MATERIAL NO. SEE SHEET 1 | | DOCUMENT NO. SD-54363-050 | SHEET NO. 2 OF 2 |
| DRAFT WHERE APPLICABLE MUST REMAIN WITHIN DIMENSIONS | | SIZE A3 | THIS DRAWING CONTAINS INFORMATION THAT IS PROPRIETARY TO MOLEX INCORPORATED AND SHOULD NOT BE USED WITHOUT WRITTEN PERMISSION | | | |

9

8

7

6

5

4

3

2