



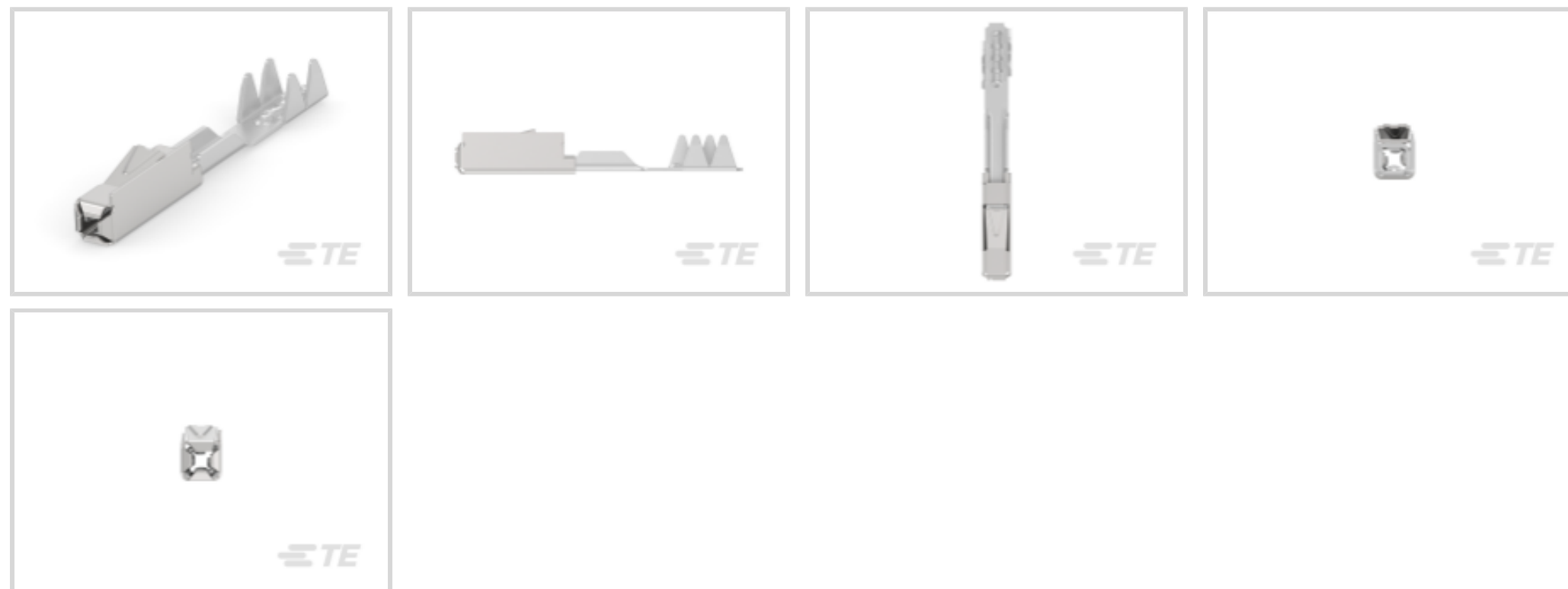
MQS

TE Internal #: 929387-1

Receptacle Terminal, .63 mm [.025 in] Tab Width, Tin (Sn), .63 mm [.025 in] Tab Thickness, Unsealed, Terminates To Wire, 15.5 mm [.6 in] Tab Length

[View on TE.com >](#)

Automotive Parts > Automotive Terminals > MQS 0.63mm FFC Locking Lance Terminals



Terminal Type: **Receptacle**

Mating Tab Width: **.63 mm [.025 in]**

Interface Plating: **Tin (Sn)**

Primary Locking Feature: **Locking Lance**

Sealable: **No**

[All MQS 0.63mm FFC Locking Lance Terminals \(5\)](#)

Features

Product Type Features

Primary Locking Feature	Locking Lance
Sealable	No

Body Features

Terminal Seal Type	Unsealed
--------------------	----------

Contact Features

Typical Current Rating	7.5 A
Crimp Type	FFC Crimp
Contact Size	.63mm
Contact Fabrication	Stamped & Formed
Wire Contact Termination Area Plating Material	Tin
Terminal Type	Receptacle
Mating Tab Width	.63 mm [.025 in]



Interface Plating	Tin (Sn)
-------------------	----------

Mating Tab Thickness	.63 mm [.025 in]
----------------------	------------------

Termination Features

Termination Method to Wire & Cable	Crimp
------------------------------------	-------

Product Terminates To	Wire
-----------------------	------

Dimensions

Wire Size Search	.2 mm ² , .22 mm ² , .25 mm ² , .3 mm ² , .35 mm ² , .4 mm ² , .5 mm ² , .6 mm ²
------------------	--

Tab Length	15.5 mm [.6 in]
------------	-----------------

Usage Conditions

Insulation Option	Uninsulated
-------------------	-------------

Operating Temperature (Max)	120 °C [248 °F]
-----------------------------	-----------------

Operating Temperature Range	-40 – 120 °C [-40 – 248 °F]
-----------------------------	-----------------------------

Operation/Application

Compatible With Wire Base Material	Copper
------------------------------------	--------

Packaging Features

Packaging Method	Reel
------------------	------

Packaging Quantity	12500
--------------------	-------

Other

Terminal Transmits	0 – 24 A (Low Power)
--------------------	----------------------

Product Compliance

[For compliance documentation, visit the product page on TE.com>](#)

EU RoHS Directive 2011/65/EU	Compliant
------------------------------	-----------

EU ELV Directive 2000/53/EC	Compliant
-----------------------------	-----------

China RoHS 2 Directive MIIT Order No 32, 2016	有害物质含量符合标准要求 No Restricted Substance(s) Above Threshold
---	---

EU REACH Regulation (EC) No. 1907/2006	Current ECHA Candidate List: JUNE 2025 (250) Candidate List Declared Against: JUNE 2025 (250) Does not contain REACH SVHC
--	---

Halogen Content	Low Halogen - Br, Cl, F < 900 ppm per homogenous material. Also BFR/CFR/PVC Free
-----------------	--

Solder Process Capability

Not applicable for solder process capability

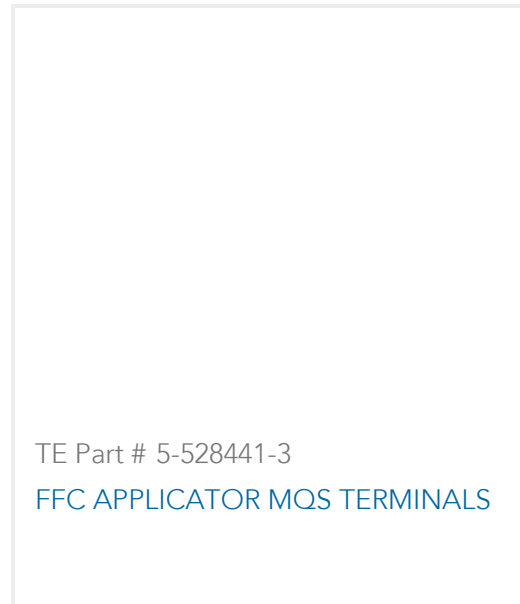
Product Compliance Disclaimer

This information is provided based on reasonable inquiry of our suppliers and represents our current actual knowledge based on the information they provided. This information is subject to change. The part numbers that TE has identified as EU RoHS compliant have a maximum concentration of 0.1% by weight in homogenous materials for lead, hexavalent chromium, mercury, PBB, PBDE, DBP, BBP, DEHP, DIBP, and 0.01% for cadmium, or qualify for an exemption to these limits as defined in the Annexes of Directive 2011/65/EU (RoHS2). Finished electrical and electronic equipment products will be CE marked as required by Directive 2011/65/EU. Components may not be CE marked. Additionally, the part numbers that TE has identified as EU ELV compliant have a maximum concentration of 0.1% by weight in homogenous materials for lead, hexavalent chromium, and mercury, and 0.01% for cadmium, or qualify for an exemption to these limits as defined in the Annexes of Directive 2000/53/EC (ELV). Regarding the REACH Regulation, the information TE provides on SVHC in articles for this part number is based on the latest European Chemicals Agency (ECHA) 'Guidance on requirements for substances in articles' posted at this URL: <https://echa.europa.eu/guidance-documents/guidance-on-reach>

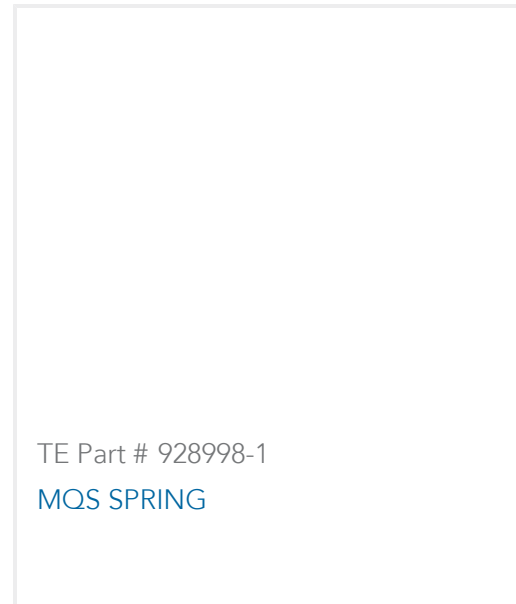
Compatible Parts



TE Part # 1579001-4
DIE SET MQS 1.2



TE Part # 5-528441-3
FFC APPLICATOR MQS TERMINALS



TE Part # 928998-1
MQS SPRING



TE Part # 91092-1
ET FFC



TE Part # 1-528013-1
FFC PISTOL GRIP HAND TOOL CASE

Customers Also Bought



TE Part #5070094021
RNF-100-3/4-X-SP



TE Part #2590393001
VG-95218-T023-F005



TE Part #5750464002
DR-25-TW-3/4-0-SP



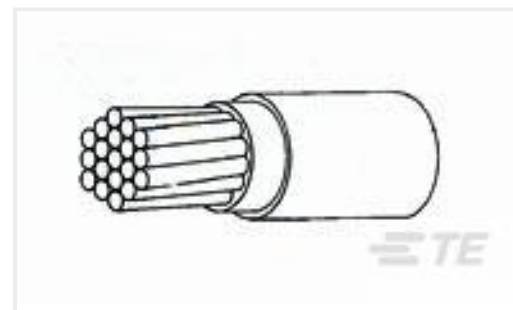
TE Part #5070084031
RNF-100-1/2-X-SP



TE Part #9908044002
DR-25-TW-1/2-0-SP



TE Part #3008293001
VG-95218-T022-C003



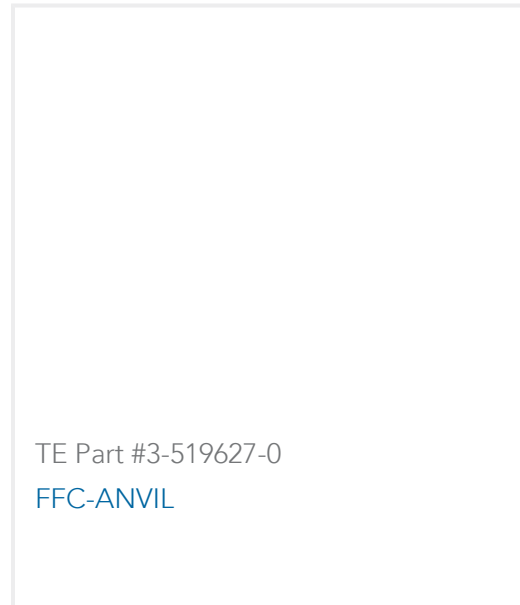
TE Part #6014873001
VG-95218-T020-A006



TE Part #5070044032
RNF-100-1/8-X-SP



TE Part #1-2186545-1
WINTOTAL-7-DONGLE



TE Part #3-519627-0
FFC-ANVIL

Documents

Product Drawings

[MQS0,63 Sn rec LL unseal. FFC](#)

English

CAD Files

Customer View Model

[ENG_CVM_929387-1_A2.3d_igs.zip](#)

English

Customer View Model

[ENG_CVM_929387-1_A2.3d_stp.zip](#)

English

Customer View Model

[ENG_CVM_929387-1_A2.2d_dxf.zip](#)

English

3D PDF

English

By downloading the CAD file I accept and agree to the [Terms and Conditions](#) of use.

Product Specifications

[Application Specification](#)

English