

22MM METAL ROUND ACTUATOR: PUSHBUTTON WITH FLAT
BUTTON WITH HOLDER WHITE



| | |
|---|------------------------|
| Design of the product | Single device round |
| Enclosure: | |
| Number of command points | 1 |
| Actuator: | |
| Design of the operating mechanism | Pushbutton |
| Manner of function of the actuating element | Momentary contact type |
| Product expansion optional Light source | No |
| Color | |
| • of the actuating element | White |
| Material of the actuating element | plastic |
| Shape of the actuating element | Flat pushbutton |
| Outer diameter of the actuating element | 28.5 mm |
| Type of unlocking device | without |
| Number of switching positions | 2 |
| Front ring: | |
| Product component front ring | Yes |
| Design of the front ring | Standard |
| Material of the front ring | metal |

| | |
|--------------------------------|--------|
| Color of the front ring | silver |
|--------------------------------|--------|

Holder:

| | |
|-------------------------------|-------|
| Material of the holder | Metal |
|-------------------------------|-------|

General technical data:

| | |
|---|-------------------|
| Product function | |
| <ul style="list-style-type: none"> • EMERGENCY OFF function • EMERGENCY STOP function | No No |
| Protection class IP | IP67 |
| Vibration resistance | |
| <ul style="list-style-type: none"> • acc. to IEC 60068-2-6 | 20 ... 200 Hz: 5g |
| Operating frequency maximum | 1 000 1/h |
| Mechanical service life (switching cycles) | |
| <ul style="list-style-type: none"> • typical | 10 000 000 |
| Equipment marking | |
| <ul style="list-style-type: none"> • acc. to DIN 40719 extended according to IEC 204-2 acc. to IEC 750 • acc. to DIN EN 61346-2 • acc. to DIN EN 81346-2 | S S S |





Ambient conditions:

| | |
|--|----------------------------------|
| Ambient temperature | |
| <ul style="list-style-type: none"> • during operation • during storage | -25 ... +70 °C -40 ... +80 °C |
| Environmental category during operation acc. to IEC 60721 | 3K6 |

Installation/ mounting/ dimensions:

| | |
|--|----------------|
| Mounting type | front mounting |
| Shape of the installation opening | round |
| Mounting diameter | 22 mm |

Certificates/approvals

| General Product Approval | | | Declaration of Conformity | Test Certificates | Shipping Approval |
|--|---|---|---|---|--|
|  CSA |  UL |  |  EG-Konf. | spezielle Prüfbescheinigungen <u>n</u> |  ABS |

| Shipping Approval | | | | other | |
|--|--|--|---|-------------------------------|-------------------------|
|  DNV |  LRS |  PRS |  RINA | Bestätigungen | sonstig |

| other |
|-----------------------------------|
| Umweltbestätigung |

Further information

Information- and Downloadcenter (Catalogs, Brochures,...)

<http://www.siemens.com/industrial-controls/catalogs>

Industry Mall (Online ordering system)

<https://mall.industry.siemens.com/mall/en/en/Catalog/product?mlfb=3SB35000AA61>

Cax online generator

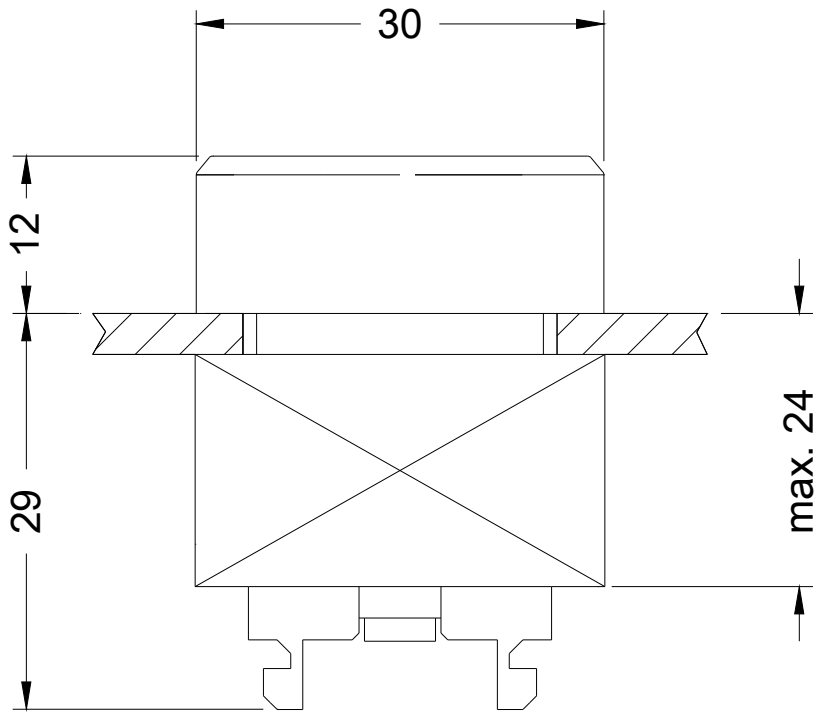
<http://support.automation.siemens.com/WW/CAXorder/default.aspx?lang=en&mlfb=3SB35000AA61>

Service&Support (Manuals, Certificates, Characteristics, FAQs,...)

<https://support.industry.siemens.com/cs/ww/en/ps/3SB35000AA61>

Image database (product images, 2D dimension drawings, 3D models, device circuit diagrams, EPLAN macros, ...)

http://www.automation.siemens.com/bilddb/cax_de.aspx?mlfb=3SB35000AA61&lang=en



last modified:

13.02.2016