


**SACC-EC-MS-4CON-M16/0,5 SCO**

Order No.: 1523463



Sensor/actuator flush-type connector, 4-pos., M12 SPEEDCON, A-coded, front/screw mounting with M16 thread, can be positioned, with 0.5 m TPE litz wire, 4 x 0.34 mm<sup>2</sup>

**Commercial data**

EAN	4  046356 021296
Pack	1
Customs tariff	85366990
Country of Origin	DE
Catalog page information	Page 29 (PC-2011)

**Product notes**

WEEE/RoHS-compliant since:  
20/12/2005



Please note that the data given here has been taken from the online catalog. For comprehensive information and data, please refer to the user documentation at <http://www.download.phoenixcontact.com>. The General Terms and Conditions of Use apply to Internet downloads.

**Technical data****General data**

Rated current at 40°C	4 A
Rated voltage	250 V
Number of positions	4
Volume resistance	≤ 3 mΩ

Insulation resistance	≥ 100 MΩ
Length of cable	0.5 m
Ambient temperature (operation)	-25 °C ... 85 °C (Male connector / female connector)

#### General characteristics

Standards/regulations	M12 connector IEC 61076-2-101
Coding	A - standard
Surge voltage category	II
Pollution degree	3
Degree of protection	IP67
Contact material	CuZn
Contact surface material	Ni/Au
Contact carrier material	PA 66
Material, knurls	Zinc die-cast, nickel-plated
Sealing material	NBR
Mounting type	Front mounting M16 x 1.5 With locking nut
Connection method	Individual wires
Status display	No

#### Conductor data

Cable type	TPE litz wire
Conductor cross section	0.34 mm <sup>2</sup>
AWG signal line	22
Conductor structure signal line	7x 0.25 mm
Core diameter including insulation	1.2 mm ±0.07 mm
Thickness, insulation	0.21 mm (Core insulation)
Wire colors	Black, brown, blue, white
Insulation resistance	≥ 20 MΩ*km
Conductor resistance	≤ 57.6 mΩ/m
Nominal voltage, conductor	300 V
Test voltage, conductor	2000 V AC
Material conductor insulation	TPE
Conductor material	Tin-plated Cu litz wires
Ambient temperature (operation)	-25 °C ... 90 °C (cable, fixed installation)

---

## Certificates



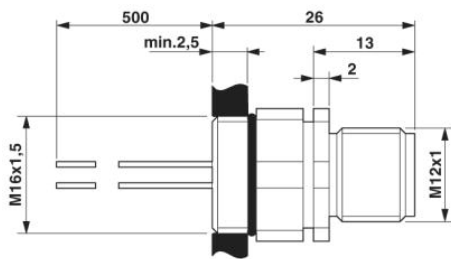
Certification

UL

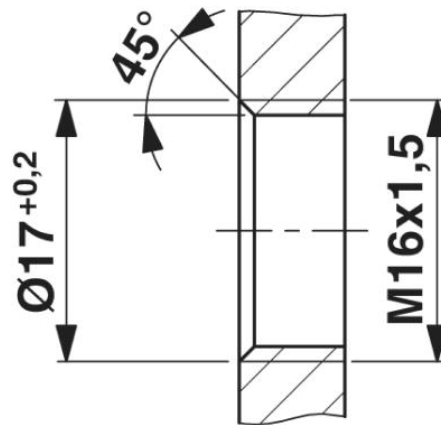
---

## Drawings

Dimensioned drawing

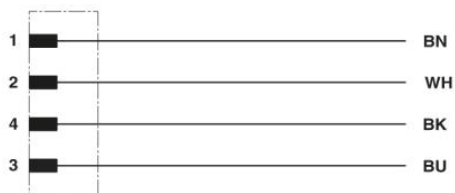


M12 flush-type connector, can be positioned



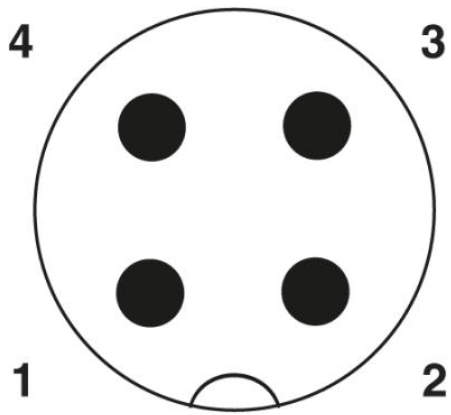
Housing cutout for M16 fastening thread, mounting panel with thread

Circuit diagram



---

Schematic diagram



Pin assignment M12 plug, 4-pos., A-coded, view plug side

---