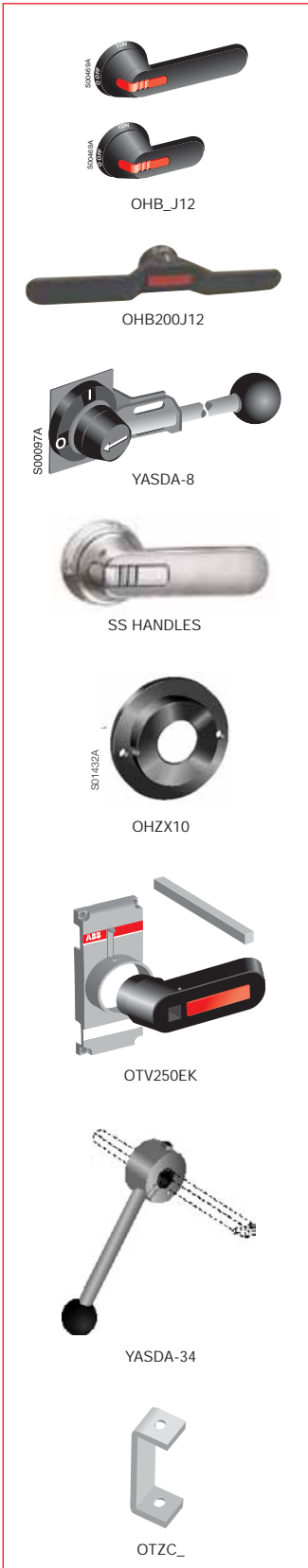




200A – 2000A Non-fusible disconnect switches



Pistol handles — for use with (□ 6 x 6 mm) OT200 ②

NEMA type	IEC type	Color	Length mm	Marking	Defeatable	Padlockable	Catalog number	List price
1, 3R, 12	IP65	Blk	80	O/I & Off/On	Yes	Yes	OHB80J6	
1, 3R, 12	IP65	Grey	80	O/I & Off/On	Yes	Yes	OHG80J6	
1, 3R, 12	IP65	R/Y	80	O/I & Off/On	Yes	Yes	OHY80J6	
1, 3R, 4, 4X, 12	IP66	Blk	80	O/I & Off/On	Yes	Yes	OHB80L6	
1, 3R, 4, 4X, 12	IP66	R/Y	80	O/I & Off/On	Yes	Yes	OHY80L6	
1, 3R, 4, 4X, 12	IP66	SS	65	O/I & Off/On	Yes	Yes	OHM65L6	

Shafts — for use with pistol handles (□ 6 x 6 mm)

Shaft length mm	Mounting depth ^① in mm	Catalog number	List price
150	129 – 194	OSP6X150	
210	189 – 254	OSP6X210	
290	269 – 334	OSP6X290	
360	339 – 404	OSP6X360	
430	409 – 474	OSP6X430	
700	675 – 705	OSP6X700	

Pistol handles — for use with shafts (□ 12 x 12 mm) OT400...OETL-NF2000 ②

NEMA type	IEC type	Color	Length in mm	Marking	Defeatable	Padlockable	Catalog number	List price
1,3R,12	IP65	Blk	145	O/I & Off/On	Yes	Yes	OHB145J12	
1,3R,12	IP65	Grey	145	O/I & Off/On	Yes	Yes	OHG145J12	
1,3R,12	IP65	R/Y	145	O/I & Off/On	Yes	Yes	OHY145J12	
1,3R,12	IP65	Blk	175	O/I & Off/On	Yes	Yes	OHB175J12	
1,3R,12	IP65	R/Y	175	O/I & Off/On	Yes	Yes	OHY175J12	
1,3R,12	IP65	Blk	2 x 200	O/I & Off/On	Yes	Yes	OHB200J12	
1,3R,4,4X,12	IP66	Blk	145	O/I & Off/On	Yes	Yes	OHB145L12	
1,3R,4,4X,12	IP66	R/Y	145	O/I & Off/On	Yes	Yes	OHY145L12	
1,3R,4,4X,12	IP66	Blk	175	O/I & Off/On	Yes	Yes	OHB175L12	
1,3R,4,4X,12	IP66	R/Y	175	O/I & Off/On	Yes	Yes	OHY175L12	
1,3R,4,4X,12	IP65	Metal	220	Off/On	—	Yes	YASDA-8	
1,3R,4,4X,12	IP66	SS	125	O/I & Off/On	Yes	Yes	OHM125L12	
1,3R,4,4X,12	IP66	SS	175	O/I & Off/On	Yes	Yes	OHM175L12	
1,3R,4,4X,12	IP66	SS	275	O/I & Off/On	Yes	Yes	OHM275L12	

Shafts — for use with pistol handles (□ 12 x 12 mm)

Shaft length mm	OT400, 600	OT800U03 - OT1200U03	OETL-NF1600,2000	Catalog number	List price
For use on:	OT400, 600	OT800U03 - OT1200U03	OETL-NF1600,2000		
280	260-340	295-390	—	OSP12X280	
325	305-385	350-435	350-435	OSP12X325	
395	375-455	410-505	410-505	OSP12X395	
465	445-525	480-575	480-575	OSP12X465	
535	515-595	550-645	550-645	OSP12X535	
625	605-685	640-735	640-735	OSP12X625	

Shafts alignment ring — for use on :

Description	For use on:	Catalog number	List price
Pistol Handles	OH_45...275J5...12	OHZX10	

Direct Mounted Handle

Description	For use on:	Catalog number	List price
Padlockable with 3 padlocks in O-position	OT200	OTV250EK	
Includes shaft and mechanism	OT400	OTV400EK	
	OT600	OTV800EK	
Mounts on shaft	OETL-NF1600, 2000	YASDA-34	

Bridging bars

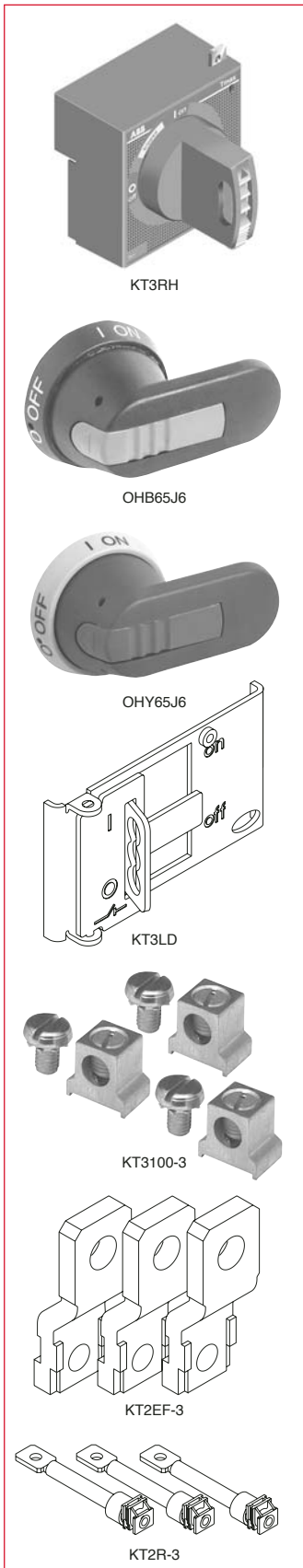
The bridging bars provide a connection link either on the incoming or outgoing side of the switch.

Suitable for switches	Number of poles	Catalog number	List price
OT200U_C	3	OTZC13	
	4	OTZC14	
OT400U_C	3	OTZC23	
	4	OTZC24	
OT600U_C	3	OTZC33	
	4	OTZC34	
OT800U_C	3	OTZC43	
	4	OTZC44	

① Mounting depth is the distance from the outside of the door to the disconnect switch mounting plate. Shaft can be cut to desired length.

② Plastic pistol grip handle with stainless steel hasp, add suffix EH

Accessories Mechanical



Direct mount rotary operator handle

	Catalog number	List price
Direct mount rotary	KT3RH	\$ 146

Variable depth rotary handles

Frame	Mechanism catalog number	List price	Shaft catalog number	List price	Handle catalog number	List price
NEMA 1, 3R, 12						
Tmax	KT3VD-M	\$ 72	OX P6X430 ①	\$ 28	OHY65J6 ① OHB65J6 ①	\$ 80
NEMA 4, 4X						
Tmax	KT3VD-M	72	OX P6X430 ①	28	OHY80L6 ① OHB80L6 ①	130
NEMA 1						
Tmax	KT3VD-M	72	KT3VD-S	35	KT3VD-H	87

Locking device

	Catalog number	List price
Locking device	KT3LD	\$ 21

Lugs

For breakers	Amps	Wire size	Set of 2 catalog number	List price	Set of 3 catalog number	List price	Set of 4 catalog number	List price
Standard cable lugs								
T2	100	14AWG-1/0	KT2100-2	\$ 6	KT2100-3	\$ 9	KT2100-4	\$ 12
T3	60	14AWG -2AWG	—	—	KT3060-3	9	KT3060-4	12
	100	14AWG -1/0	—	—	KT3100-3	9	KT3100-4	12
	150	2AWG-4/0	—	—	KT3150-3	12	KT3150-4	18
	225	4AWG-350kcmil	—	—	KT3225-3	18	KT3225-4	24

Extended front terminals

For breakers	Amps	Set of 3		Set of 4	
		Catalog number	List price adder	Catalog number	List Price
T2	100	KT2EF-3	\$ 26	KT2EF-4	\$ 35
T3	225	KT3EF-3	33	KT3EF-4	44

Rear terminals

For breakers	Amps	Set of 3		Set of 4	
		Catalog number	List price adder	Catalog number	List Price
T2	100	KT2R-3	\$ 78	KT2R-4	\$ 105
T3	225	KT3R-3	98	KT3R-4	131

OHB 65 J 6



① Use Discount Schedule H6.