



Brand of NTN Group

Technical data

SESP208N

Bearing units

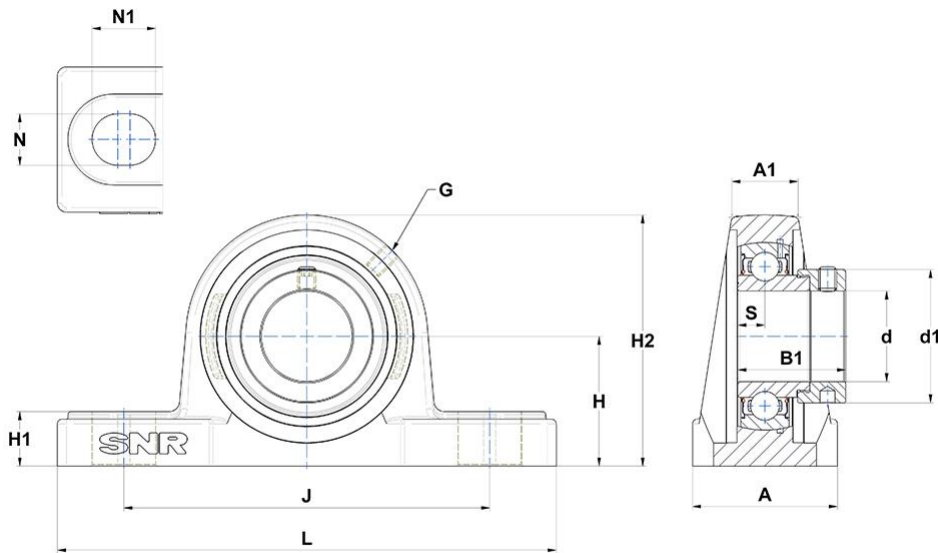


Stainless steel cast housing, stainless steel insert ball bearing with eccentric locking collar, single lip seal, food grease

KIT CONTENT

SES208, SP208N

VISUAL (S)



PRODUCT DEFINITION

Brand	SNR
A - Housing width	54 mm
A1 - Housing top width	27 mm
B - Width of Inner Ring	30,2 mm
d - Shaft diameter	40 mm



NTN Europe

1 rue des Usines · BP 2017 · 74010 Annecy Cedex · France · Tel. +33 (0)4 50 65 30 00
 S.A. au capital de 322 639 919 € · RCS ANNECY B 325 821 072 · Id. Fiscale : FR 48 325 821 072
 SIRET 325 821 072 00015 · Code APE 2815 Z · Code NACE 28.15

PRODUCT DEFINITION

d1 - Outer dia of eccent. Lock. collar / nut of adapter sleeve	60,3 mm
G - Grease fitting	M6x1
H - Distance mounting base to centerline spheric. seating diam.	49,2 mm
H1 - Housing foot height	19 mm
H2 - Housing height	100 mm
J - Mounting holes distance	136 mm
L - Housing length	184 mm
N - Mounting hole dimension	17 mm
N1 - Mounting hole length	23 mm
S - Distance front side/bearing centre	9 mm

PRODUCT PERFORMANCE

C - Dynamic load rating	32000000 mN
C0 - Static load rating	19300000 mN
Operating temperature min.	253,15 °K
Operating temperature max.	373,15 °K

OTHER FEATURES

Mass	2,34 kg
Recommended tightening torque for set screw	8.3 N-m

