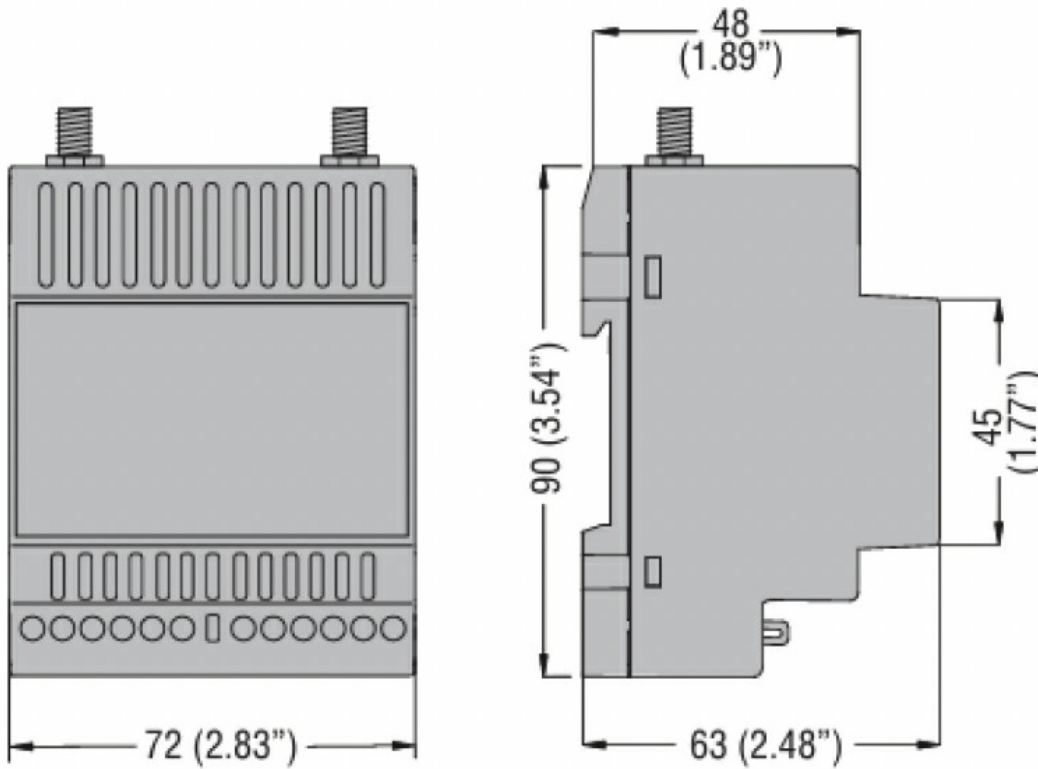




General characteristics

Description	Gateway data logger for data collecting via Modbus from the devices in the field. Publishing of the data to supervision software, also in Cloud		
Functions	Data logger		
Rated power supply voltage	12-24VDC		
Monitoring method			
Transmission technology	4G		
Connectivity with Synergy and Xpress	Yes (Only Synergy)		
Device setup and supervision	Yes (only supervision)		
Local memory	Yes		
Support for multiple devices	Yes, with RS485 or/and Ethernet		
Device compatibility	Devices with RS485 or Ethernet and modbus slave role, third party ones included		
Interface			
RS232 communication	0		
RS485 communication	1		
Ethernet communication	2		
Mechanical features			
Weight	g	190	
Ambient conditions			
Temperature	Operating temperature		
	min	°C	-20
	max	°C	+60
Dimensions			



Certifications and compliance

Certifications

EN/BS 60950-1

Compliance

CE

RED

ETIM classification

EC000066 - Power contactor, AC switching