

**Bourdon tube pressure gauges, liquid filled,**

**Modelcode type: 213.53.0XX**

**Item number: 82162758**

**Description**

Design according	EN 837-1
Accuracy class	class 1.6
Scale range	0...60 bar

**Constructional design**

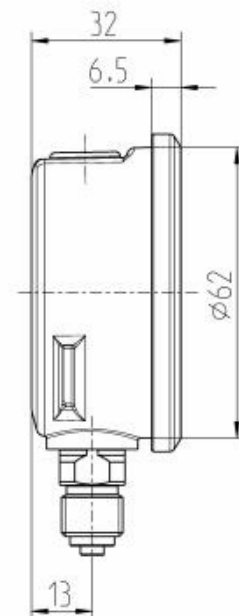
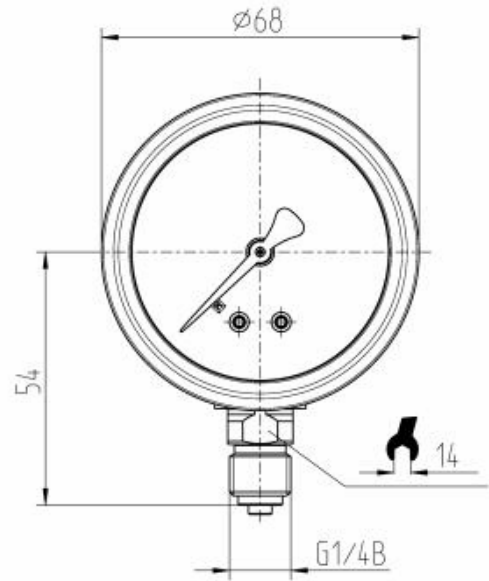
Process connection	G 1/4 B
Connector location	lower mount
Pressure element	Copper alloy
Movement	Copper alloy
Case	Crimp ring case (version 53)
Nominal size	063 mm
Case filling fluid	glycerine
Pointer	plastic, black
Window	plastic, clear
Dial	plastic, white, with stop-pin

**Operating conditions**

Pressure limitation	Steady: 3/4 x full scale value Fluctuating: 2/3 x full scale value Short time: Full scale value
Permissible ambient temperature	-20 ... +60 °C
Permissible medium temperature	+60°C maximum
Temperature effect when the temperature deviates from the reference temperature (+20°C)	Max. +/-0.4 %/10 K of the span
Ingress protection	IP 65

**Dial description:**

Pressure Gauge Standard	China
color for 1.scale (outside)	black
dial background	White
Manufacturer logo	*WIKA*



**Bourdon tube pressure gauges, liquid filled,**

**Modelcode type: 213.53.0XX**

**Item number: 82162758**

stop pin on dial	at zero
------------------	---------

norm-mark on dial	*EN 837-1*
-------------------	------------

safetymark on dial	*S*
--------------------	-----

accuracy class on dial	*Cl.1.6*
------------------------	----------

**Labelcode**

Label	WIKA standard
-------	---------------

language of the label	German
-----------------------	--------