



Potentiometer Ø 22 mm EP Part number 88950109



- Direct-read potentiometer (controlled externally) Ø 22 mm
- IP65 degree of protection on front panel
- Directly compatible with the "Potentiometer" parameter of an analogue input on the Millenium 3

Part numbers

Type	Description	Supply
88950109 EP	External potentiometer for value adjustment	30 V DC max

Specifications

Environmental characteristics

Protection rating	In accordance with IEC/EN 60529 : IP65 on front panel IP10 on terminal block
Operating temperature	-20 → +60 °C
Storage temperature	-20 → +70 °C

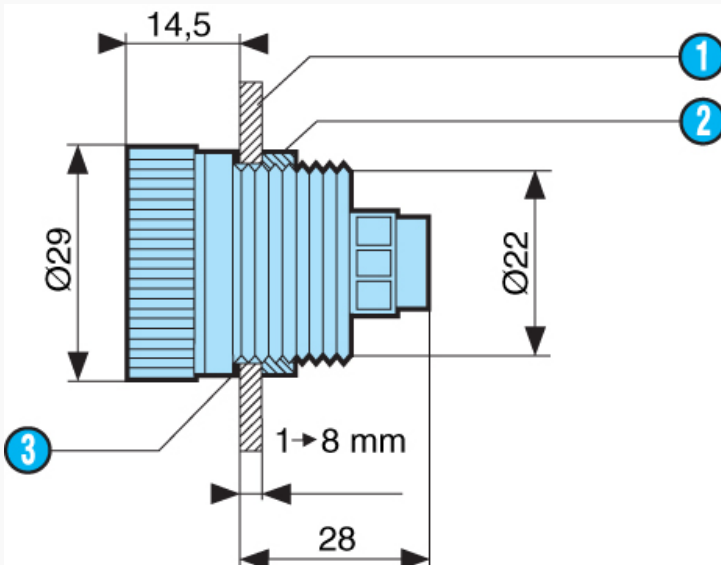
Electrical characteristics

Ohmic value	4700 Ω
Tolerance	± 20 %
Power	150 mW

Mechanical characteristics

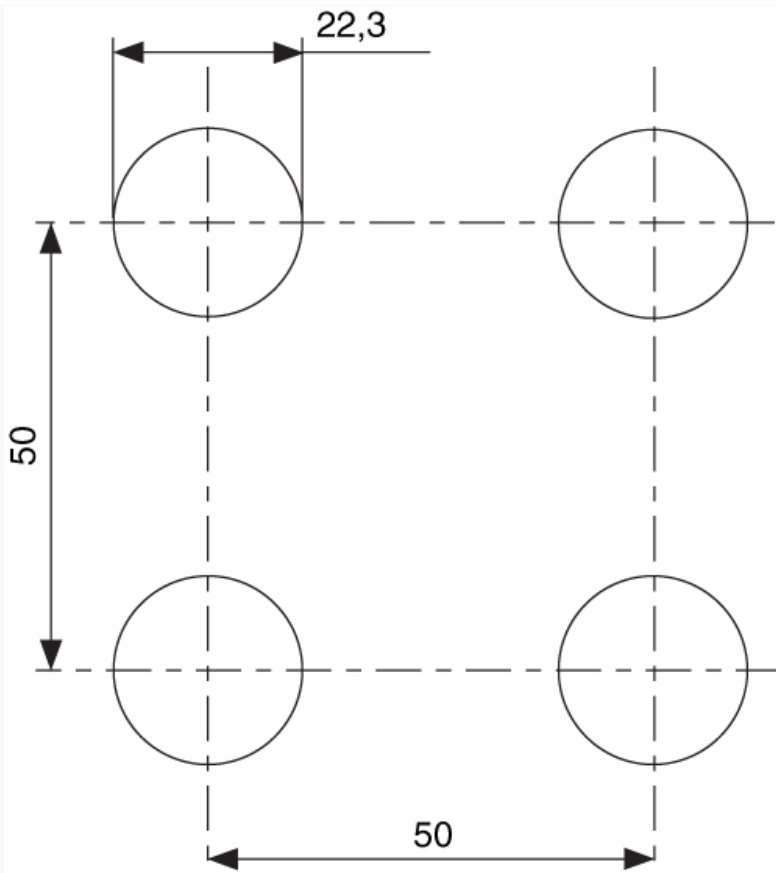
Screw terminals connection capacity	1 x 4 mm ² rigid 1 x 2.5 mm ² flexible
-------------------------------------	---

Dimensions (mm)

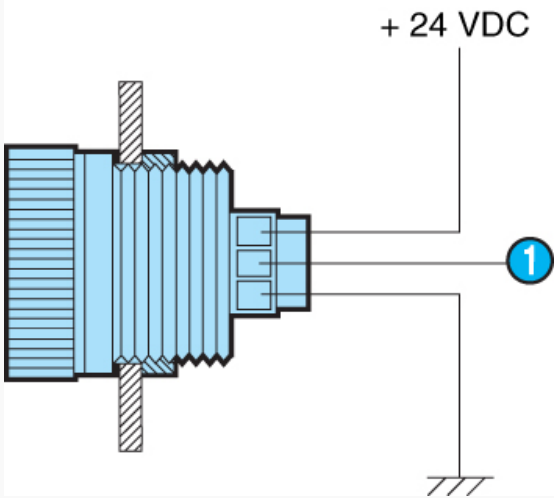


N°	Legend
①	Panel
②	Nut
③	Seal

Dimensions (mm)



Connections



N°	Legend
1	Analogue input