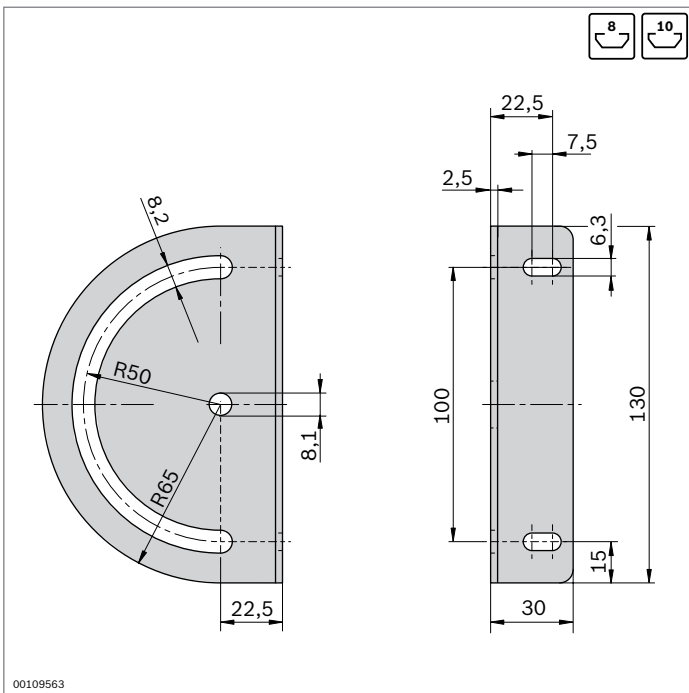


### Swivel fastening, 180°



- Swivel fastening for shelves, etc. which need to be positioned at an angle of  $\pm 90^\circ$



Swivel fastening, 180°	P1 / P2	ESD	No.	FS
	8 / 8	⚠	<b>3 842 538 275</b>	FS1
	8 / 10			2xFS3
				2xFS4
				2xFS5
	10 / 8	⚠	<b>3 842 538 276</b>	FS2
	10 / 10			2xFS3
				2xFS4
				2xFS5

Material: Pivoting fastener: steel; galvanized  
 Clamping lever: diecast zinc; black plastic coated  
 Scope of delivery: incl. fastening material (FS), clamping lever with disk and swivel-in sliding block with spring

