



5/2, 5/3 SOLENOID VALVE 1/4 PORTED SERIES SY7000

- ✓ High flow characteristics CV 1.3
- ✓ Low power consumption - 0.5 watt
- ✓ Compact and lightweight design - body width 18mm
- ✓ Fast response time - < 20ms
- ✓ Internal one touch fittings option
- ✓ High life expectancy - >50 million cycles
- ✓ Body port or sub base mounted available

TECHNICAL SPECIFICATIONS

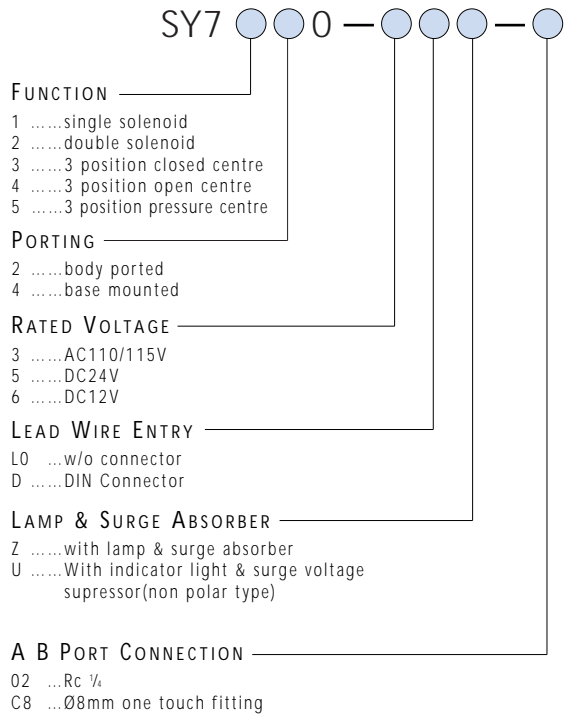
Fluid Air. Lubrication not required
 Operating pressure (bar) 5/2 single solenoid 1,5 - 7
 5/2 double solenoid 1 - 7
 5/3 position 2 - 7
 Ambient and fluid temperature (°C) max 50
 Response time (ms) 5/2 position < 19*
 5/3 position < 40*
 Max operating frequency (Hz) 5/2 position max 5
 5/3 position max 3
 Manual override non locking type
 Pilot exhaust common
 Mounting position free
 Electrical entry connector 2 wires
 Coil voltage 24V DC
 Allowable voltage ±10%
 Enclosure IP50
 Isolation E
 Power consumption 0.5 W DC
 0.55 W DC w. LED
 Surge voltage suppressor Option 'Z'
 Indicator lamp LED
 * @ 5 bar supply pressure

Model: Base Mounted Type					
Valve model	Position	Symbol	Port size A:B	Cv	Weight (g)
SY7140	5/2 single solenoid		Ø8mm Tube	1.29	86
SY7240	5/2 double solenoid		Ø8mm Tube	1.29	102
SY7340	5/3 position C.C.		Ø8mm Tube	0.78	104
SY7440	5/3 position C. O.		Ø8mm Tube	0.78	104

Model: Body Ported Type					
Valve model	Position	Symbol	Port size A:B	Cv	Weight (g)
SY7120	5/2 single solenoid		Rc 1/4	0.9	98
SY7220	5/2 double solenoid		Rc 1/4	0.9	114
SY7320	5/3 position C.C.		Rc 1/4	0.67	122
SY7420	5/3 position C. O.		Rc 1/4	0.66	122

How To ORDER

SOLENOID VALVE SERIES SY7000



STOCKED PRODUCTS

FOR A LIST OF STOCKED PRODUCTS,
PLEASE SEE THE CURRENT SMC PRICE LIST

ACCESSORIES
SEE NEXT PAGE

DIMENSIONS
SEE NEXT PAGE



SEE INSIDE FRONT COVER FOR
DETAILS OF YOUR LOCAL SALES OFFICE



FOR FURTHER TECHNICAL
DETAILS ON THIS
PRODUCT CONTACT
YOUR LOCAL REGIONAL
CENTRE

ACCESSORIES

SERIES SY7000 SUB-BASE MOUNTED

- Connector Assembly with Cover (3m)VJ10-51-A-30
- Single Sub-baseSY7000-27-1

ACCESSORIES

SERIES SY7000 BODY PORTED

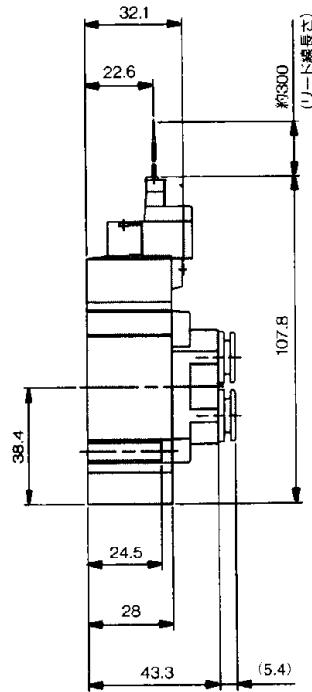
- Connector Assembly with Cover (3m)VJ10-51-A-30
- Side Mounting BracketSX7000-16-1A
- Porting Block Assembly (1/4)SY7000-6A-02
- Porting Block Assembly (8mm)SY7000-6A-C8
- Porting Block Assembly (10mm)SY7000-6A-C10

STOCKED PRODUCTS

FOR A LIST OF STOCKED PRODUCTS,
PLEASE SEE THE CURRENT SMC PRICE LIST

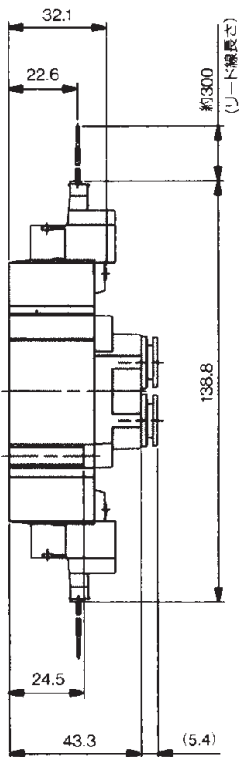
DIMENSIONS

SY7000 BODY PORTED
SY7120-5LOZ-C8,C10



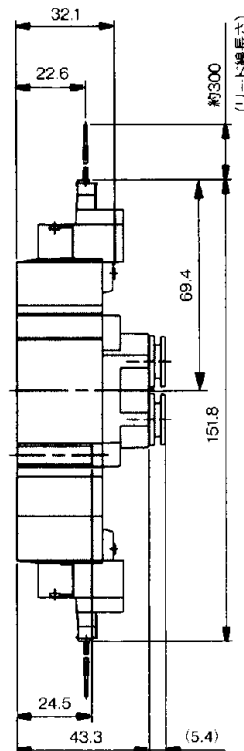
DIMENSIONS

SY7000 BODY PORTED
SY7220-5LOZ-C8,C10



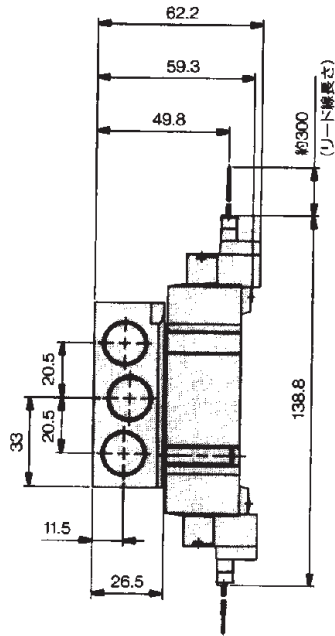
DIMENSIONS

SY7000 BODY PORTED
SY7320-5LOZ-C8,C10 / SY7420-5LOZ-C8,C10

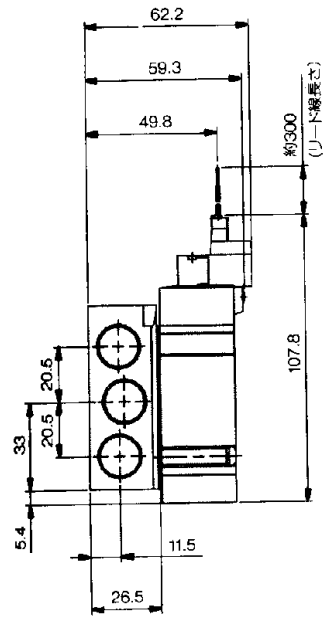


FOR FURTHER TECHNICAL
DETAILS ON THIS
PRODUCT CONTACT
YOUR LOCAL REGIONAL
CENTRE

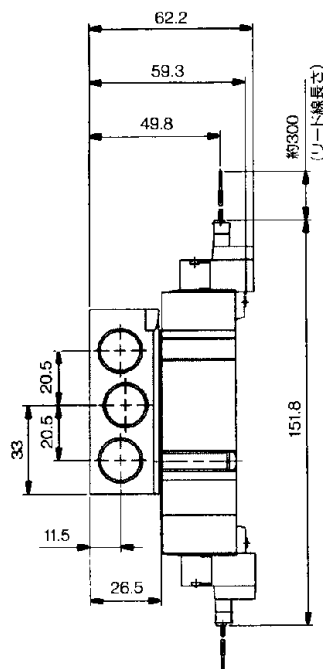
DIMENSIONS
SY7000 SINGLE SUB-BASE
SY7240-5LOZ



DIMENSIONS
SY7000 SINGLE SUB-BASE
SY7140-5LOZ



DIMENSIONS
SY7000 SINGLE SUB-BASE
SY7340-5LOZ / SY7440-5LOZ



SEE INSIDE FRONT COVER FOR
DETAILS OF YOUR LOCAL SALES OFFICE



FOR FURTHER TECHNICAL
DETAILS ON THIS
PRODUCT CONTACT
YOUR LOCAL REGIONAL
CENTRE