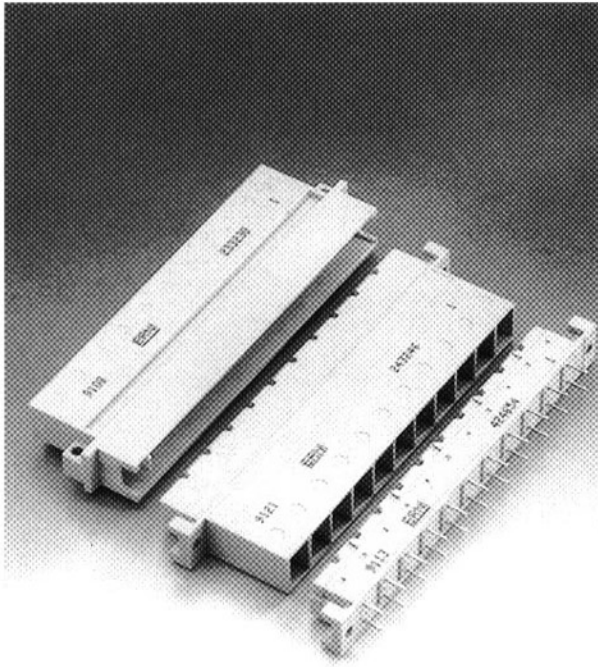


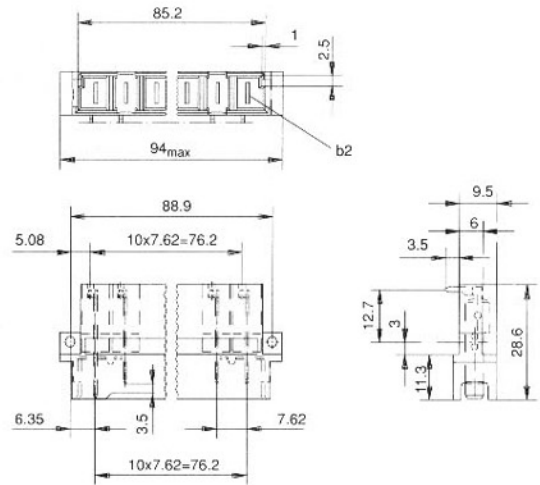
# Size H11

Mating- and mounting-conditions according to DIN 41 612

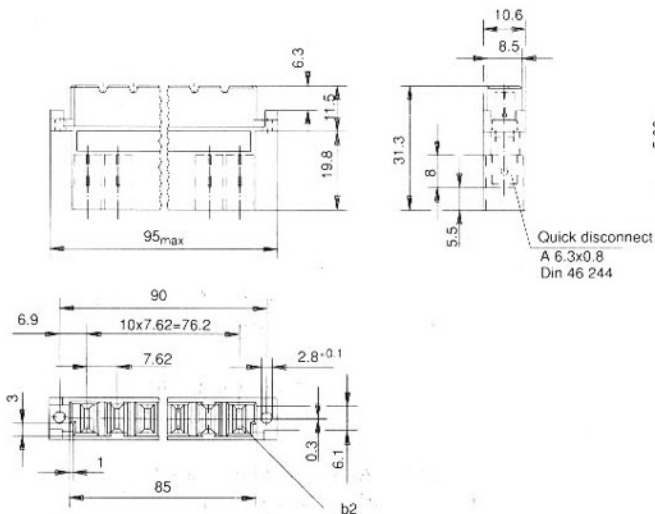


## Dimensional drawings

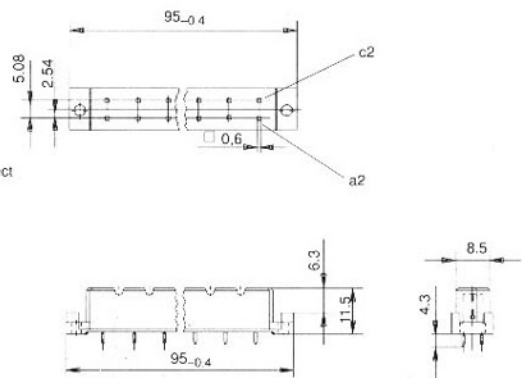
Male connector



Female connector  
with quick disconnect terminations



Female connector  
with dip solder terminations



please refer to the pcb hole pattern on page 44

## Ordering details

### Male connector size H11

Mating- and mounting-conditions according to DIN 41 612, one row loaded, maximum 11 contacts

	<b>STV-H 11-M VE 2</b> <sup>①</sup> <i>Termination 6.3x0.8mm for quick disconnect connectors</i>	1 PC <b>233 233</b>
	<b>STV-H 11-M VE 32</b> <sup>①</sup> <i>Termination 6.3x0.8mm for quick disconnect connectors</i>	1 PC <b>233 226</b>
	<b>STV-H 11-M VE 2+32</b> <sup>①</sup> <i>Termination 6.3x0.8mm for quick disconnect connectors</i>	1 PC <b>233 234</b>

	<b>STV-H 11-M VE 2</b> <sup>①</sup> <i>solder terminations can be broken off</i> <sup>②</sup>	1 PC <b>233 232</b>
	<b>STV-H 11-M VE 32</b> <sup>①</sup> <i>solder terminations can be broken off</i> <sup>②</sup>	1 PC <b>233 230</b>
	<b>STV-H 11-M VE 2+32</b> <sup>①</sup> <i>solder terminations can be broken off</i> <sup>②</sup>	1 PC <b>233 235</b>

① VE... early make/last break contacts on position ...  
Male connectors with early make/last break contacts can be loaded in any position.

② Solder terminations can be broken off at a score point. 6,3x0,8mm tab that remains can be used for quick disconnect connections

Further versions on request.

### Female connector size H11

Mating- and mounting-conditions according to DIN 41 612, one row loaded, maximum 11 contacts

	<b>STV-H 11-F</b> <i>Termination 6.3x0.8mm for quick disconnect connectors</i>	1 PC <b>243 246</b>
--	---	------------------------

	<b>STV-H 11-F</b> <i>Termination cross section 0.6x0.6mm for dip soldering</i> <i>Grip dimension 5.08mm</i>	1 PBT <b>424 654</b>
--	---	-------------------------

The contacts of the size H11 are hard silver plated and correspond to the electrical and mechanical life span of the performance level 1.

Further versions on request.

<u>Part-No.</u>	<u>Page</u>
-----------------	-------------

233233	2
233226	2
233230	2
233232	2
233234	2
233235	2
243246	2
424654	2