

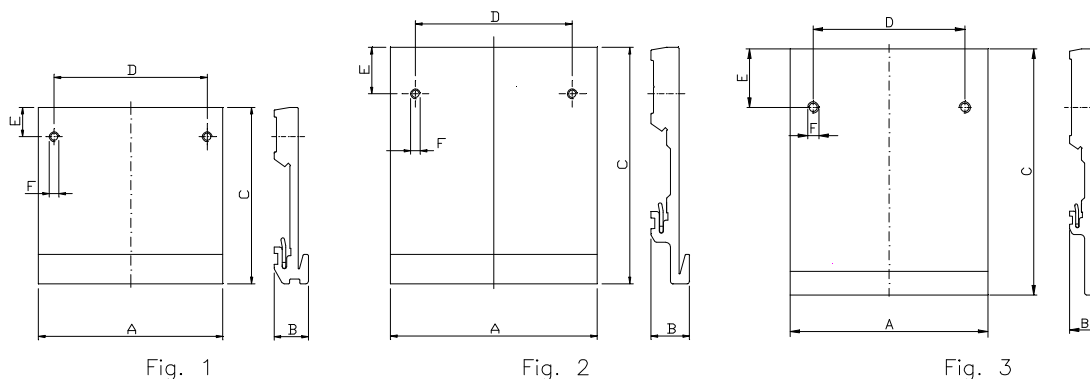
# Data sheet: Universal Mounting Base Type UB

## Description :

This handy mounting kit allows an easy method of converting a standard transformer fitted with a mounting plate or bracket, into a transformer for mounting onto standard DIN rails.

- \* Rigid aluminium profile with integrated steel spring
- \* Quick and easy mounting of transformers onto the mounting kit, using two screws (provided)
- \* For use with core sizes from EI 78/27,5 to EI 96/45,7
- \* For use with standard mounting rails to DIN EN 50 022

Please observe correct mounting. After installation the integrated steel spring catch is not to carry any weight, for a good secure fitting be positioned facing downwards. Only so can a permanent fixture on the rail be maintained.



Type	For core type	Dimensions in mm						Fig. No.
		A	B	C	D	E	F	
UB 78/27,5	EI 78/27,5	78	14,0	72	56	10,5	M4	1
UB 84/43,5	EI 84/43,5	84	15,7	96,5	64	19,0	M4	2
UB 96/45,7	EI 96/45,7	96	15,7	96,5	84	7,5	M5	2
UB 105/60,5	EI 105/60,5	105	16,0	131	80,5	31	M5	3