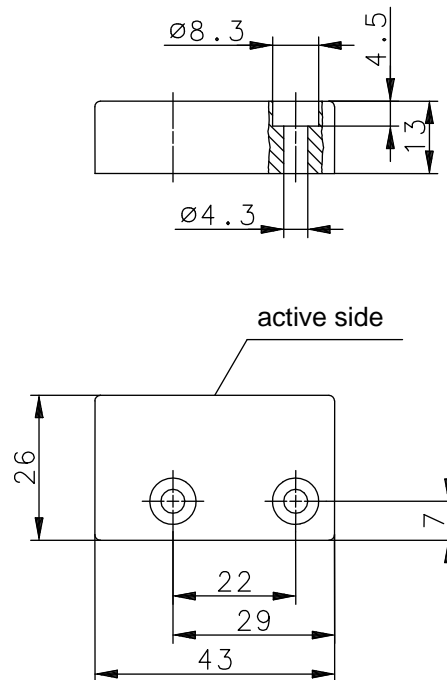


### Switching magnet

Type designation **TK-52-CD/2 SN8**

Item number **6402052066**



### Characteristic features

#### Mechanical data

Housing	PBT black (encapsulated magnets)
Magnet	Neodym-iron-boron (NdFeB)
Ambient air temperature	-20°C ... +80°C
Application	Magnetic Proximity Switch of Type <b>MAx-5236-x</b>
Assembly position	optional
Pollution degree	3 according to EN 60947-1

This document will not become the contractual basis; the details included herein do not constitute any descriptions of expected conditions, so that warranties/claims for defects on account of possible variations of the actual from the here described condition are excluded. Subject to modifications and amendments.

Date of issue: 17.07.2013 / Page 1 of 1  
 Document: 6402052066\_en / Last update: 1 / 0291-13