

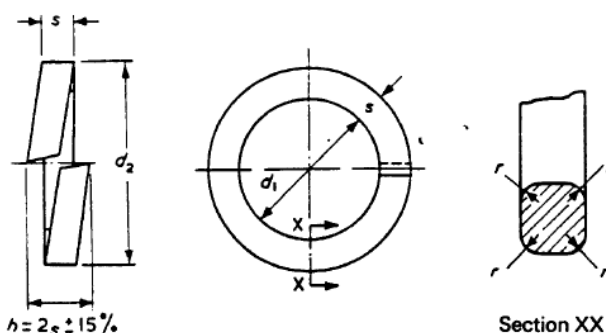
Datasheet

M16 Spring Washers

RS Stock number 275-737



Dimensions (mm)



Nominal size of bolt or screw	d_1		s	d_2	r	Weight in steel (7.85 Kg/dm ³) Kg/1000 pieces ≈
	max	min				
M3	3.3	3.1	1 ± 0.1	5.5	0.3	0.101
*M3.5	3.8	3.6	1 ± 0.1	6.0	0.3	0.113
M4	4.35	4.1	1.2 ± 0.1	6.95	0.4	0.188
M5	5.35	5.1	1.5 ± 0.1	8.55	0.5	0.366
M6	6.4	6.1	1.5 ± 0.1	9.6	0.5	0.422
M8	8.55	8.2	2 ± 0.1	12.75	0.65	1.01
M10	10.6	10.2	2.5 ± 0.15	15.9	0.8	1.96
M12	12.6	12.2	2.5 ± 0.15	17.9	0.8	2.27
*M14	14.7	14.2	3 ± 0.2	21.1	1.0	3.81
M16	16.9	16.3	3.5 ± 0.2	24.3	1.15	5.98
*M18	19.0	18.3	3.5 ± 0.2	26.4	1.15	6.58
M20	21.1	20.3	4.5 ± 0.2	30.5	1.5	12.4
*M22	23.3	22.4	4.5 ± 0.2	32.7	1.5	13.4
M24	25.3	24.4	5 ± 0.2	35.7	1.65	18.2
*M27	28.5	27.5	5 ± 0.2	38.9	1.65	20.0
M30	31.5	30.5	6 ± 0.2	43.9	2.0	32.4