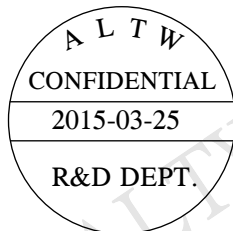
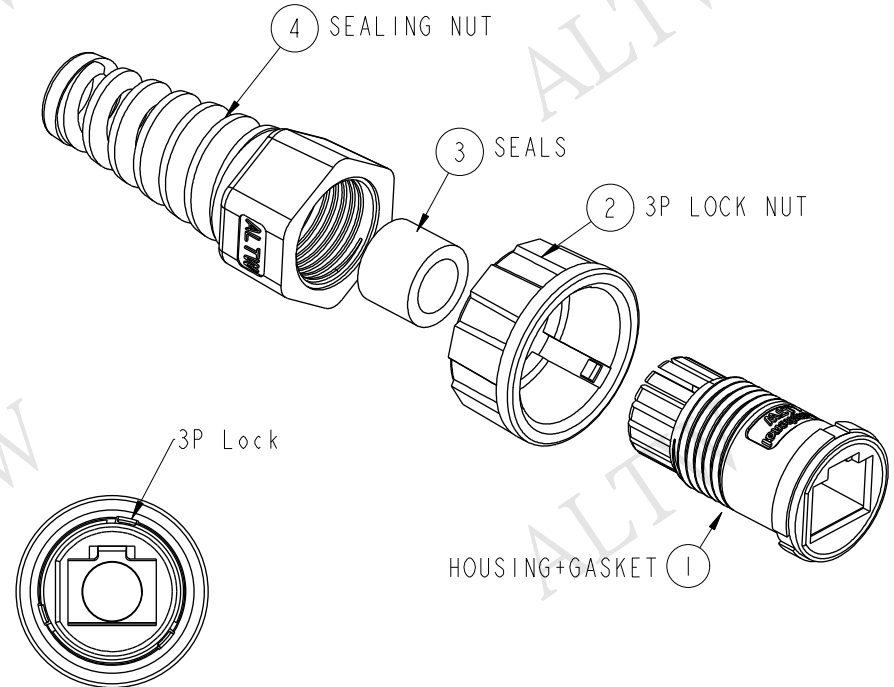
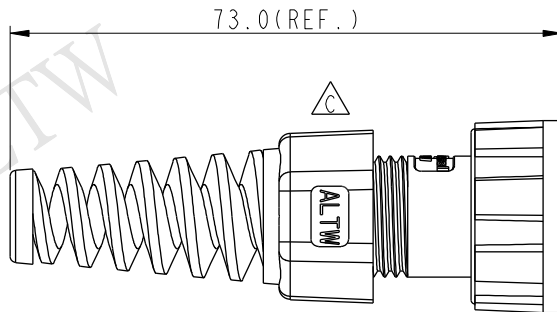
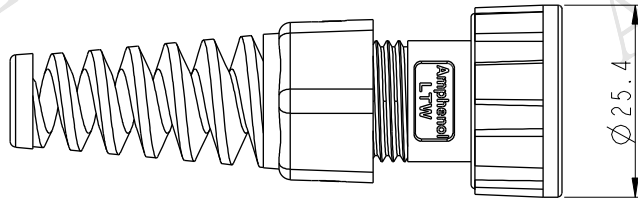




REV.	ECN NO.	DATE	SIGN	DESCRIPTION
B	LE31490139	2014/09/02	Joyy	Change to 94V0 material
C	LEN1540066	2015/03/25	Ruru	Change Logo



- Note:
- \*  $\text{CC}$  Important Dimension
  - \* Waterproof Rate: IP67 (Mating)
  - \* Housing: Nylon66, Black
  - \* Gasket: Silicone, Gary
  - \*  $\triangle B$  Lock Nut: Nylon66, Black
  - \*  $\triangle B$  Sealing Nut: Nylon66, Black
  - \* Seals: Silicone, Gray
  - \* Seals for cable OD  $\varnothing 4.5\sim 6.5\text{mm}$
  - \* One Set Unassembled in One PE Bag

UNIT: mm 	TITLE			ITEM NO.		DRAWN BY		DATE
	RJ45 ASSY, C SIZE, 3T WITH SR			RCP-00AMMA-TLM7001		Ruru		2015-03-25
	SCALE 1:1			SIZE A4	DWG NO. RCP-00AMMA-TLM7001		CHECKED BY Rita	DATE 2015-03-25
TOLERANCE .X $\pm 0.25$ .XX $\pm 0.1$ .XXX $\pm 0.05$ ANGLES $\pm 1^\circ$	REV. C	WC-REV. A.7	SHEET 1 OF 1		APPROVED BY Lion		DATE 2015-03-25	
Amphenol LTW 安費諾亮泰企業股份有限公司				CUSTOMER ALTW				8 FMM10702-01-02A1

THIS DOCUMENT IS SUBJECT TO CHANGE WITHOUT NOTICE. IT IS CONFIDENTIAL AND A PROPERTY OF Amphenol LTW. DISCLOSURE TO THIRD PARTY HAS TO BE AUTHORIZED BY Amphenol LTW.