



Brand of NTN Group

Technical data

UCFA207

Bearing units

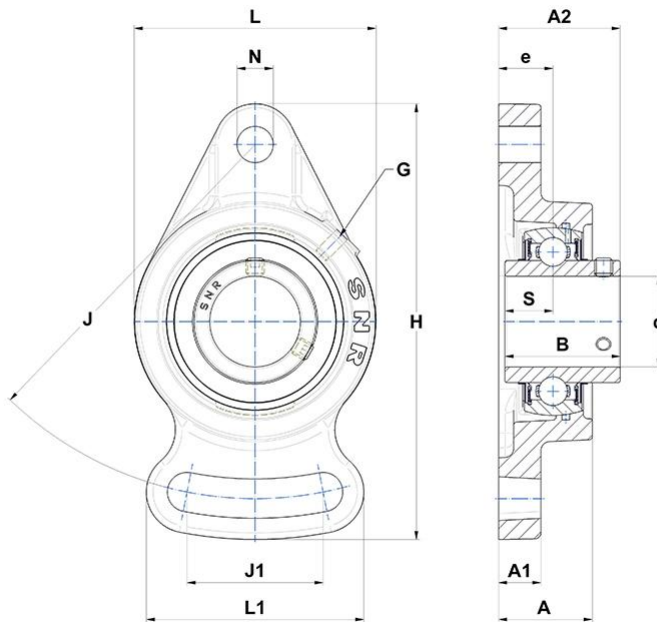


Grey cast housing, radial insert ball bearing with socket set screws, seal with slinger

KIT CONTENT

UC207G2, FA207

VISUAL (S)



PRODUCT DEFINITION

Brand	SNR
A - Housing height	34 mm
A1 - Housing foot height / flange height	16 mm
A2 - Total height from mounting surface	44,4 mm
B - Width of Inner Ring	42,9 mm
d - Shaft diameter	35 mm



NTN Europe

1 rue des Usines · BP 2017 · 74010 Annecy Cedex · France · Tel. +33 (0)4 50 65 30 00
 S.A. au capital de 322 639 919 € · RCS ANNECY B 325 821 072 · Id. Fiscale : FR 48 325 821 072
 SIRET 325 821 072 00015 · Code APE 2815 Z · Code NACE 28.15

PRODUCT DEFINITION

e - Distance mounting surface to bearing center	19 mm
G - Grease fitting	M6x1
H - Housing length, width or diameter	161 mm
J - Mounting holes distance	130 mm
J1 - Center distance of slotted hole	66 mm
L - Housing width / diameter	90 mm
L1 - Housing width at slotted hole	82 mm
N - Mounting hole dimension	15 mm
S - Distance front side/bearing centre	17,5 mm

PRODUCT PERFORMANCE

C - Dynamic load rating	25700000 mN
C0 - Static load rating	15200000 mN
Operating temperature min.	253,15 °K
Operating temperature max.	373,15 °K

OTHER FEATURES

Mass	1,27 kg
Recommended tightening torque for set screw	11.5 N-m

