

Datasheet

Omni-Directional PCB Mount 6mm Condenser Microphone Element

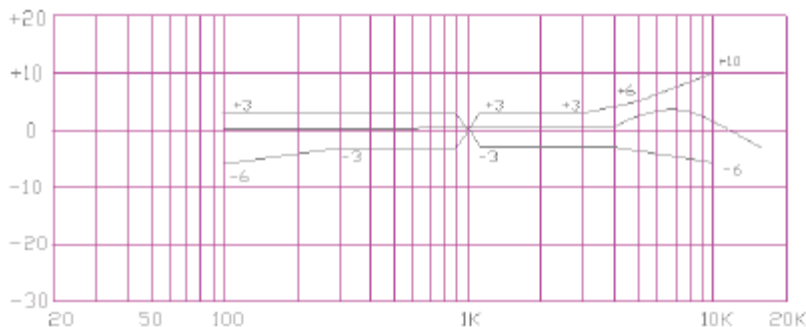
RS Stock number [724-3125](#)



Specification:

Directivity	Omni directional
Standard operating voltage	2V
Maximum operating voltage	10V
Maximum current consumption	0.5mA
Output impedance (F=1KHz 1Pa)	$\leq 2.2K\Omega$
Frequency	100~16000Hz
Sensitivity (@F=1KHz, 0dB=1V/Pa)	-40 \pm 3dB
Sensitivity reduction (@1.5V~3.0V)	-3dB
Signal to noise ratio (F=1KHz 1Pa) A weighted	≥ 60 dB
Electrets type	Foil type
Material	Al
Storage temperature	-20°C~+60°C
Operating temperature	-20°C~+60°C

Typical Frequency Response Curve



Dimensions:

