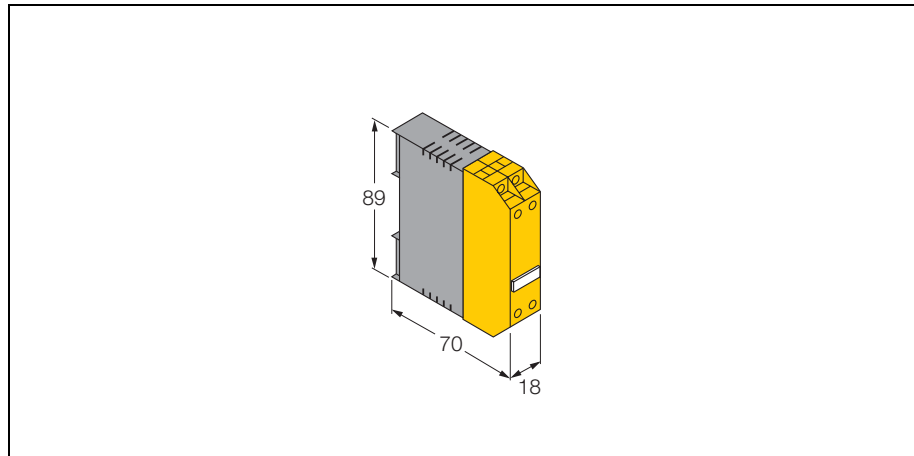
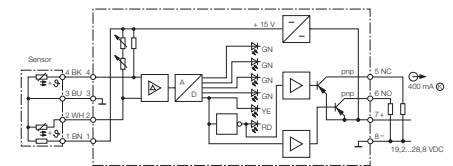


**signal processor**  
**MK96 for flow sensors**  
**MK96-VP01**

- for connection of a standard flow sensor
- adjustment via potentiometer
- 6 LEDs for display of the flow state
- 2-wire DC, 19.2...28.8 VDC
- antivalent pnp output

**Wiring diagram**

Insertion and inline sensors are supplied with voltage by the processor devices which also process and display the measured signals. Devices with MK96..., MS96... and MC96... housing styles are available. The individual housing styles are designed for different operating voltages and feature various output and supplementary functions. For intrinsically safe flow sensors it is required to use signal processors with intrinsically safe control circuits, i.e. the series MS96...Ex... and MC96...Ex... .

<b>Type</b>	MK96-VP01
Ident-No.	7525002
<b>Output function</b>	normally open / normally closed, pnp
<b>Operating voltage</b>	19.2... 28.8VDC
No-load current $I_0$	≤ 65mA
Operating range	dependent on connected sensor
Short-circuit protection	yes
Reverse polarity protection	yes
Voltage drop at $I_e$	≤ 1.5V
Rated operational current	0.4A
<b>Housing</b>	terminal chambers, polycarbonate/ABS
Dimensions (w x l x h)	70 x 18 x 89 mm
Attachment	DIN rail (DIN 50022)
Degree of protection (terminals/housing)	IP20 / IP40
Ambient temperature	-20... 60°C
<b>Display switch state</b>	LED chain green / yellow / red
Display 'Setpoint value undershoot '	LED red
Display 'Setpoint value achieved '	LED yellow
Display 'Setpoint value overshoot '	4 x LEDs green