

Features

- Strong, durable and corrosion resistant stainless steel construction
- Rotate the lever through 90 degrees to engage or disengage the plunger.

RS PRO Index Plunger with Lever, Stainless Steel, M8, 5mm Plunger, With Rest-Position

RS Stock No.: 0761219



RS Professionally Approved Products bring to you professional quality parts across all product categories. Our product range has been tested by engineers and provides a comparable quality to the leading brands without paying a premium price.

Product Description

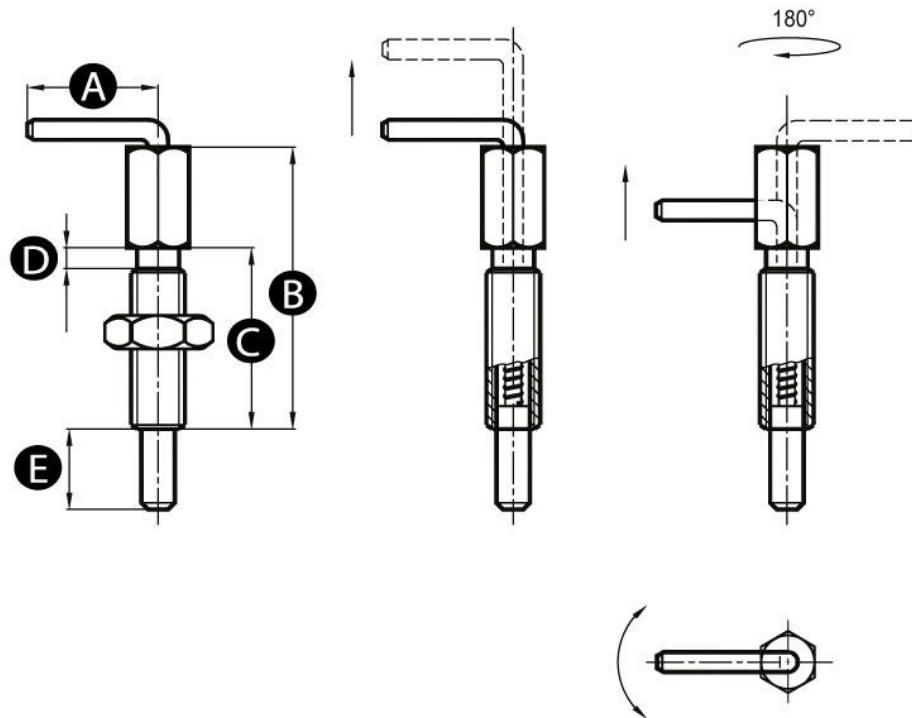
A strong, durable index plunger with a lever. Rotate the lever through 90 degrees to engage or disengage the plunger. Ideally suited to various types of work holding, and positioning applications.

General Specifications

| | |
|-------------------------|--|
| Type | Index plunger |
| Body material | Stainless steel |
| Thread size | M8 |
| Plunger diameter | 5mm |
| Rest position | Yes |
| Colour | Silver |
| Application | Ideal for applications requiring precision positioning, clamping adjustable elements, positioning work pieces, and latching mechanisms |

Mechanical Specifications

| | |
|-------------------------|------|
| A | 19.5 |
| B | 42 |
| C | 27 |
| D | 3.1 |
| E | 12 |
| Thread size | M8 |
| Plunger diameter | 5 |



Similar Products

| Stock No. | Brand | Product Name | Length | Opening Angle |
|-----------|--------|--------------|--------|---------------|
| | RS PRO | | | |
| | RS PRO | | | |
| | RS PRO | | | |
| | RS PRO | | | |