

THIS DRAWING IS UNPUBLISHED.

RELEASED FOR PUBLICATION

METRIC

LOC -

DIST -

REVISIONS

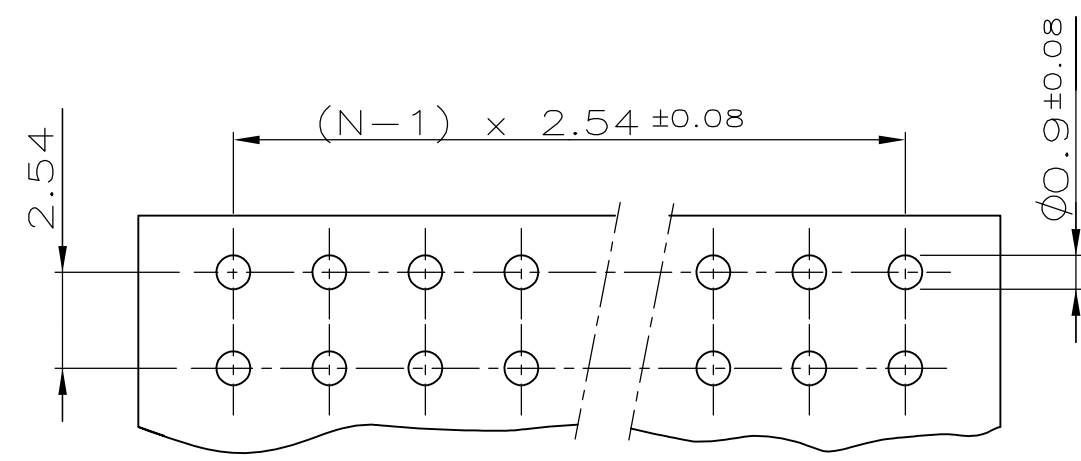
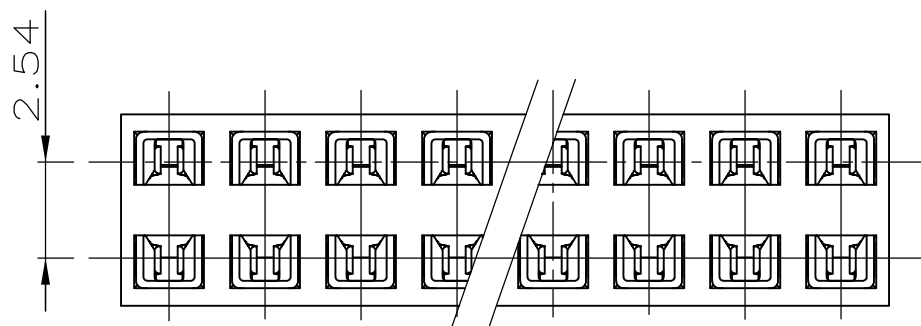
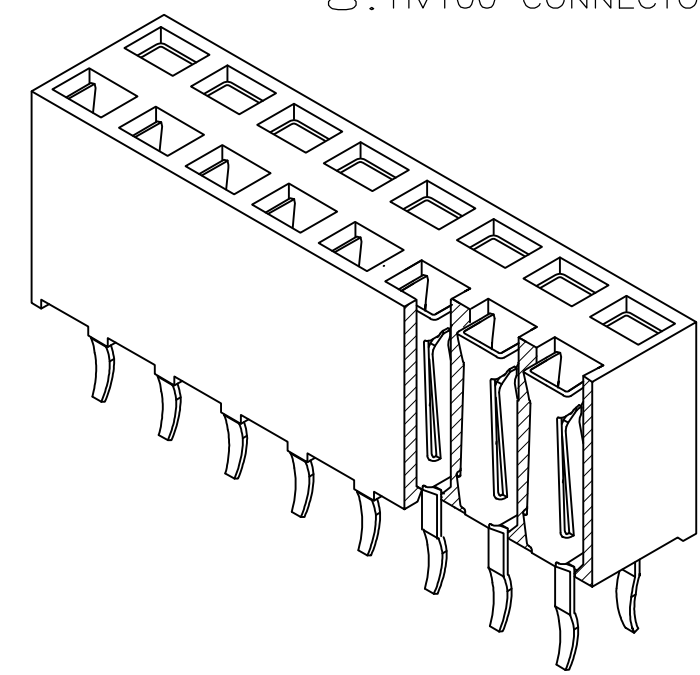
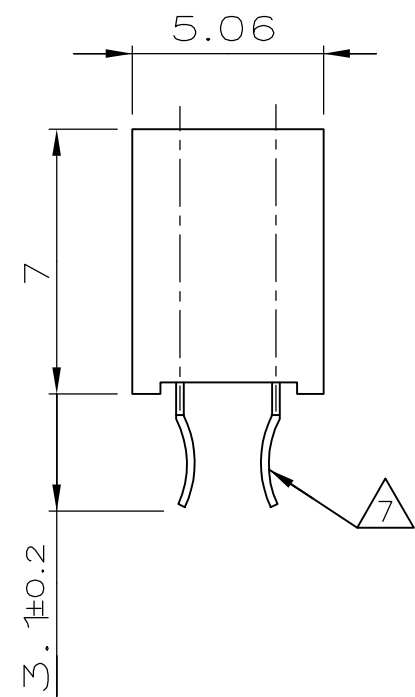
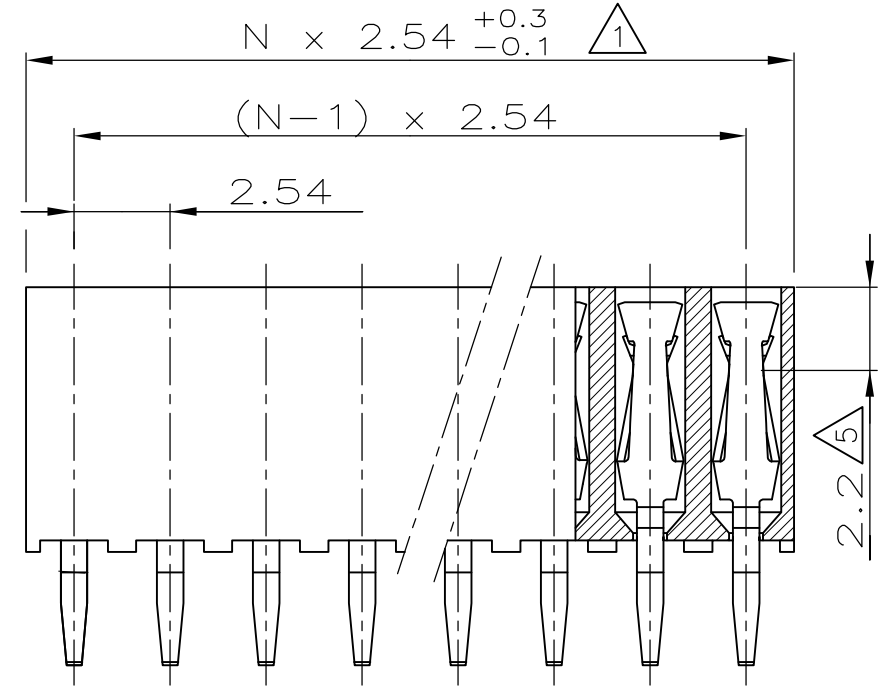
© COPYRIGHT - By -

ALL RIGHTS RESERVED.

P	LTR	DESCRIPTION	DATE	DWN	APVD
	C2	REVISED PER ECO-11-005150	21MAR11	RK	HMR

NOTES:

- 1. TO DETERMINE DIMENSIONS TAKE 2xN = NR. OF POS.
FOR EXAMPLE: 2x10 POS.: N x 2,54 = 25,4 mm.
FOR ORDERNR. USE BASIC NR. + NR. OF POS.
FOR EXAMPLE: 2x2 POS.= 215 307-2 (SHORTEST VERSION)
2x36 POS.= 3-215 307-6 (LONGEST VERSION)
- 2. HOUSING MATERIAL: GREEN GLASSFILLED POLYESTER, UL 94V-0
CONTACT MATERIAL: PHOSPHORBRONZE.
- 3. PLATING: UNDERCOATING: 1,3µm Ni.
AT CONT.PLACE: 0,8µm Au.
AT SOLDER-TYNES: MIN. 2,5µm Sn.
- 4. MATES WITH 0,63 SQUARE/ROUND MODU POSTS.
- 5. CONTACT-POINT.
- 6. RECOMMENDED P.C.BOARD-THICKNESS: 1,6.
- 7. RETENTION FEATURE.
- 8. HV100 CONNECTOR PACKED IN ANTISTATIC BLISTER



P.C.-BOARD HOLE-PATTERN

VERWENDET FÜR E 91-52 572	SEE NOTES FINISH	SEE NOTES MATERIAL	SEE NOTES PARTNUMBER
------------------------------	---------------------	-----------------------	-------------------------

THIS DRAWING IS A CONTROLLED DOCUMENT.		DWN R.VISSER 08.05.87	TE Connectivity HV 100 VERTICAL CONNECTOR DUAL ROW, 7,0mm HEIGHT, TOP ENTRY, GOLD, MAX. 2X36 POSITIONS			
DIMENSIONS: mm		CHK W.SIMONS				NAME
TOLERANCES UNLESS OTHERWISE SPECIFIED:		APVD L.v.SOEST				SIZE
0 PLC ± - 1 PLC ± 0.1 2 PLC ± - 3 PLC ± - 4 PLC ± - ANGLES ± -		PRODUCT SPEC				CAGE CODE
MATERIAL		FINISH	APPLICATION SPEC	DRAWING NO	RESTRICTED TO	
-		-	WEIGHT	A3 00779	C-215307	
CUSTOMER DRAWING			SCALE	SHEET	REV	
			5:1	1 OF 1	C2	