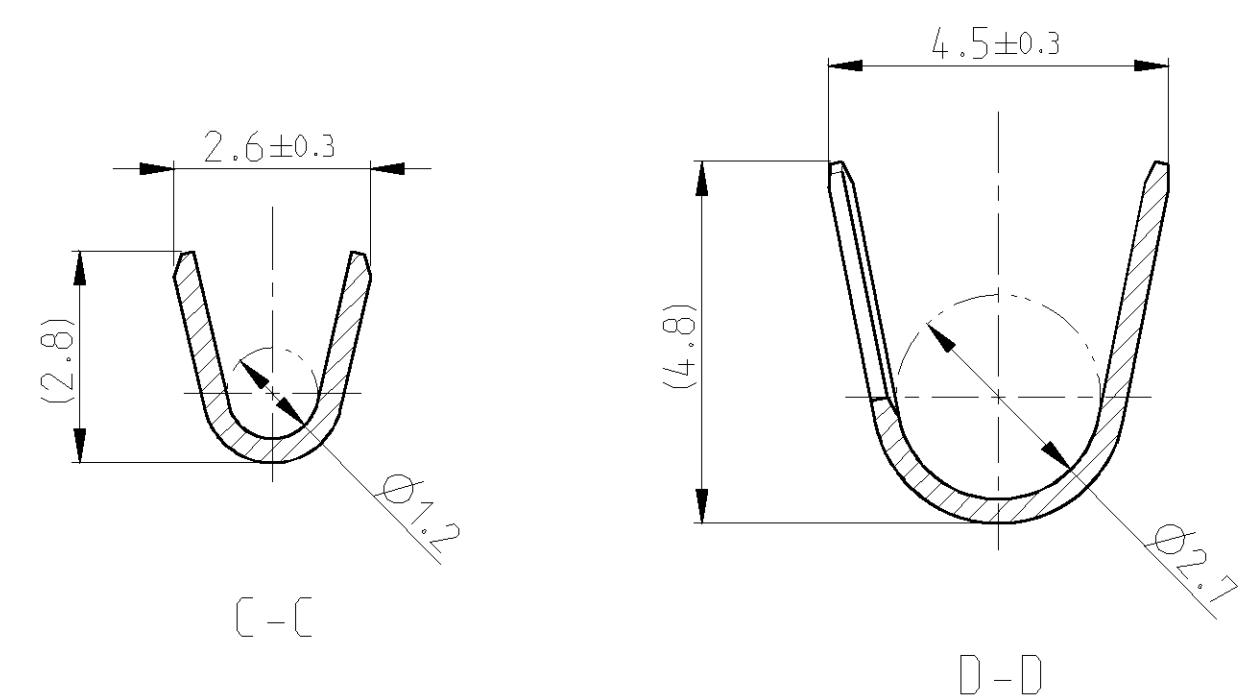
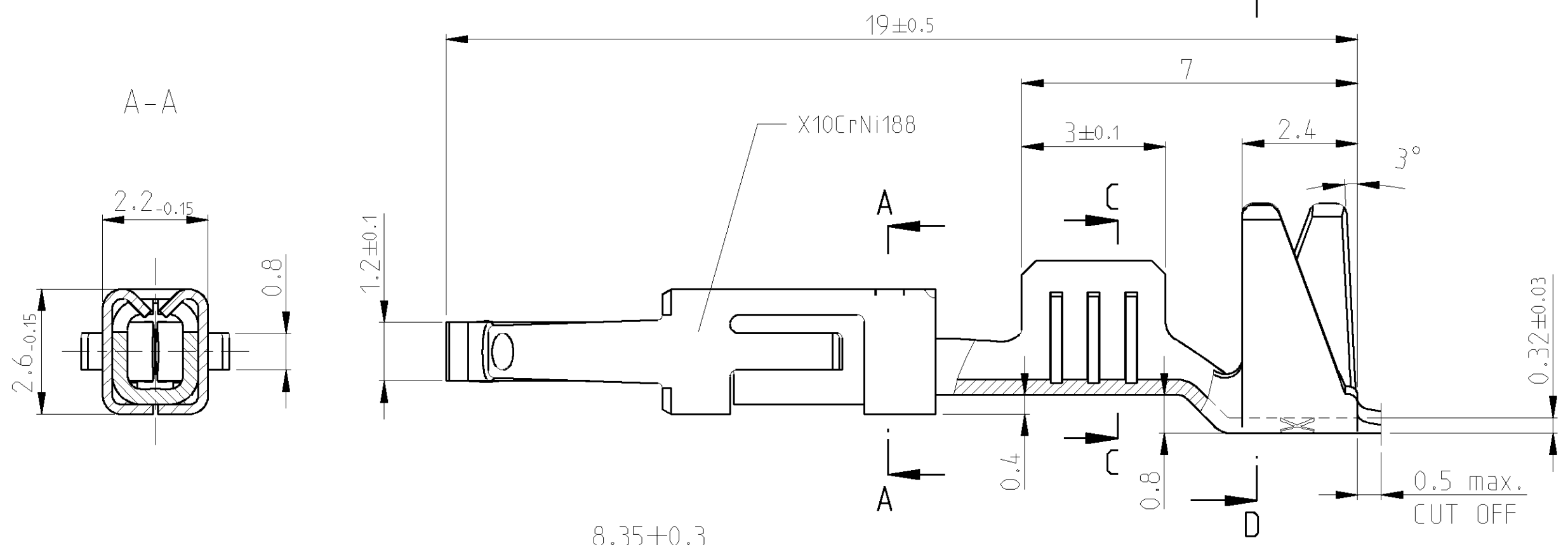


THIS DRAWING IS UNPUBLISHED. RELEASED FOR PUBLICATION 2008
 © COPYRIGHT 2008 ALL RIGHTS RESERVED.

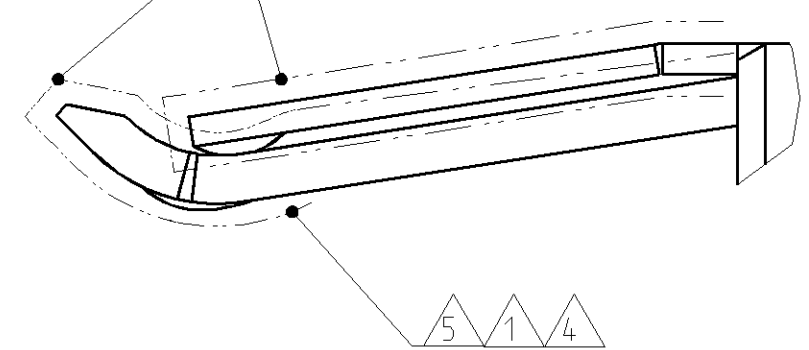
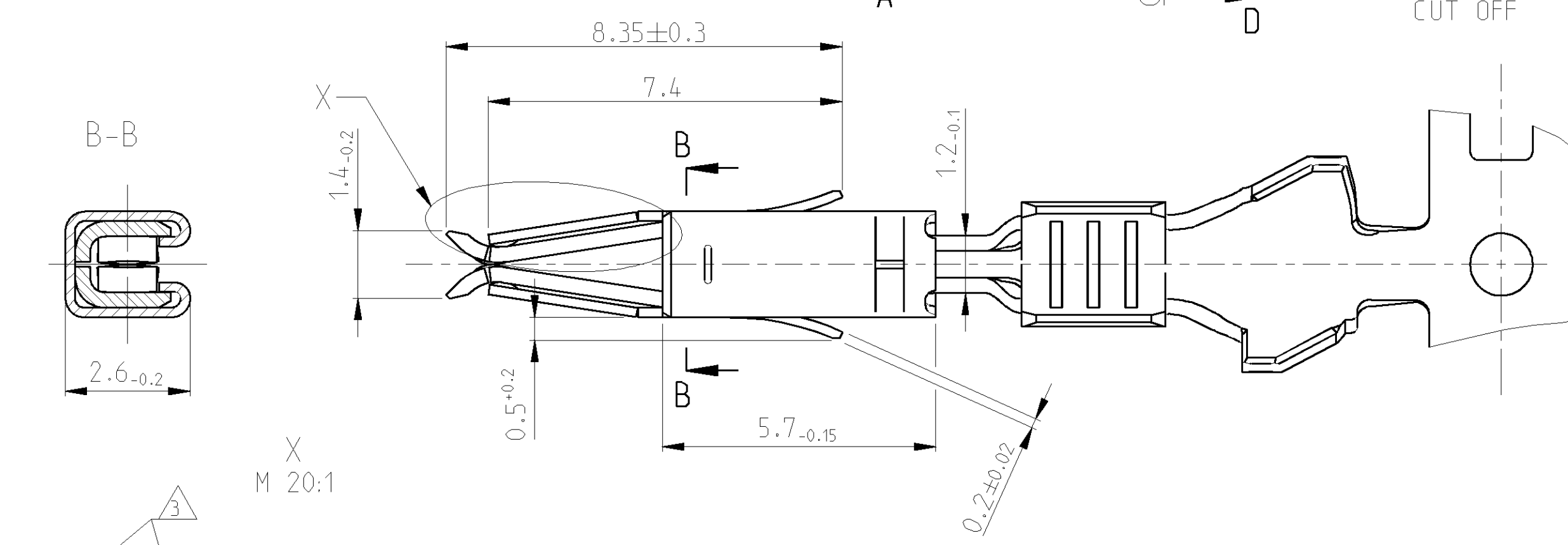
REVISONS		DATE	DWN	APVD
P	LTR	DESCRIPTION		
N1		DRAWING ADAPTED	06APR2009	Abr Brun
N2		REVISED PER ECO-11-005150	18MAY2011	RK HMR
N3		NEW VERISON OF GOLD CONTACTS PRERMITTED.	18MAY2011	Kirs Mair
N4		OPTIONAL to note 8 TTD added. (area A3)	29JUN2011	Kirs Mair

7 KONVENTIONELL

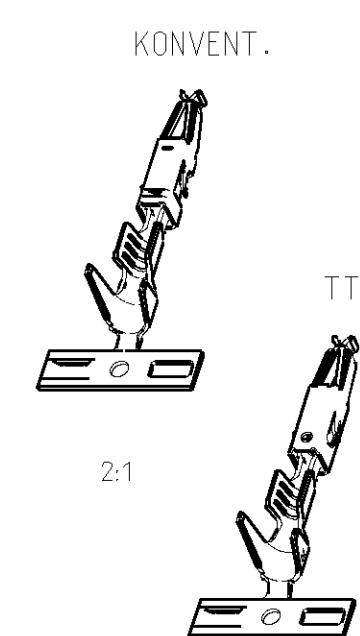
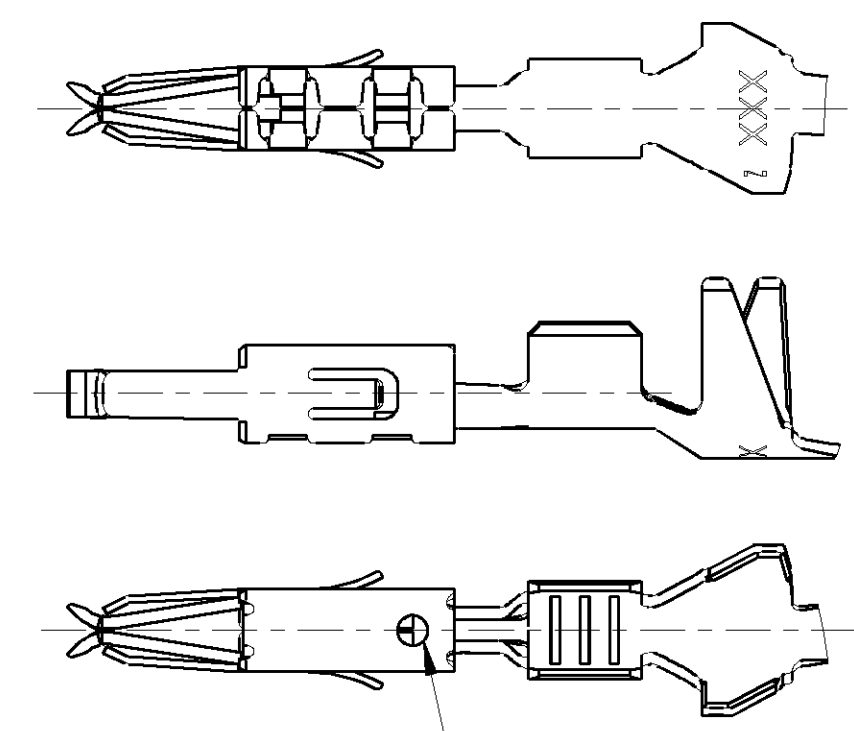


NOTES
Bemerkungen

- 1 SELECTIVE GOLD PLATED MIN. 0.8µm OVER NI
selektiv vergoldet 0.8µm ueber Ni
- 2 TIN PLATED MIN. 0.2µm OVER NI
verzinkt 0.2µm ueber Ni
- 3 CONTACT SURFACE SEL. GOLD PLATED MIN. 0.8µm OVER NI
CANTILEVER SPRING COMPLETELY GOLD PLATED ON BOTH SIDES
sel. vergoldet auf der Kontaktobenseite 0.8µm min. ueber Ni
Ueberfeder komplett auf beiden Seiten vergoldet
- 4 GAL. TIN PLATED MIN. 1.0µm OVER NI
gal. verzinkt 1.0µm ueber Ni
- 5 SELECTIVE GOLD PLATED MIN. 1.27µm OVER NI
selektiv vergoldet 1.27µm min. ueber Ni
- 6 WIRE RANGE : 0.5 - 1.0 mm²
INSULATION-Ø: 2.8 mm (SINGLE WIRE SEAL)
Drahtgroessenbereich: 0.5 - 1.0 mm²
Isolations-Ø: 2.8 mm (Einzeldichtung)



8 TWO TRACK DIE
M 5:1



OPTIONAL
wahlweise

VERSION	LP NO	SURFACE / Oberflaeche	MATERIAL	PART NO	REV
8 7	963711-7	5 2	CuFe2	962876-7	B
8 7	963711-6	3 4 2	CuSn4	962876-6	N
8 7	963711-5	1 2	CuFe2	962876-5	N
8 7	963711-3	1 2	CuSn4	962876-3	N
8	963711-2	PRETIN / vorverzinkt	CuFe2	962876-2	N
8	963711-1	PRETIN / vorverzinkt	CuSn4	962876-1	N

THIS DRAWING IS A CONTROLLED DOCUMENT.

DWN R.Hofer 05-JAN-89
 CHK L.Nix 05-APR-89
 APVD M.Bleicher 25-JUN-08

STE TE Connectivity

MICRO TIMER 2 CONTACT
WITH DOUBLE LOCKING LANCE
mit doppelter Rastfeder

PRODUCT SPEC 108-18386
 APPLICATION SPEC 114-18081
 WEIGHT 0.3 g

SIZE A2 CAGE CODE 00779 DRAWING NO. C-962876 RESTRICTED TO -
 SCALE 10:1 SHEET 1 OF 1 REV N4

CUSTOMER DRAWING