



# Datasheet

ENGLISH

## Metric Bronze Worm wheels

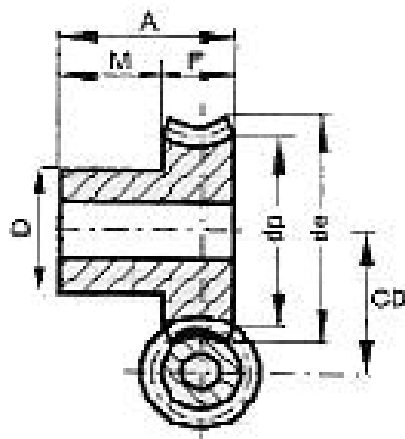
### 0.8 Mod – 1 Mod

in PB1/PB2 or equivalent

20 degree p.a.

Bore tolerance H7

Single (1R) & Double (2R) Start    Right Hand



All Dimensions in mm

Standard tolerances, unless otherwise stated + - 0.25mm

RS Article no.	Code	Pitch Module	No. Teeth	dp	de	Boss Ø D	M	Bore	F	A	Centre Distance
5216834	BWW08/20/1R	0.8	20	16.03	17.6	12	9	5	9	18	15
5216828	BWW08/20/2R		20	16.11	17.6	12	9	5	9	18	15
5216856	BWW08/30/1R		30	24.04	25.6	18	9	5	9	18	19
5216840	BWW08/30/2R		30	24.16	25.6	18	9	5	9	18	19
5216878	BWW08/40/1R		40	32.05	33.6	20	9	6	9	18	23
5216884	BWW08/50/1R		50	40.06	41.6	25	9	8	9	18	27
5216935	BWW10/20/1R	1	20	20.05	23	16	10	6	10	20	18
5216913	BWW10/20/2R		20	20.16	23	16	10	6	10	20	18
5216957	BWW10/30/1R		30	30.07	33	20	10	6	10	20	23
5216941	BWW10/30/2R		30	30.24	33	20	10	6	10	20	23
5216963	BWW10/40/1R		40	40.09	43	26	10	8	10	20	28
5216979	BWW10/50/1R		50	50.12	53	30	10	8	10	20	33