

## A 1 $\mu$ A, 200 $\mu$ V<sub>OS</sub> SOT23 Precision Current-Sense Amplifier

### FEATURES

- ◆ Improved Electrical Performance over the MAX9938 and the MAX9634
- ◆ Ultra-Low Supply Current: 1 $\mu$ A
- ◆ Wide Input Common Mode Range: +2V to +25V
- ◆ Low Input Offset Voltage: 200 $\mu$ V (max)
- ◆ Low Gain Error: 0.5% (max)
- ◆ Voltage Output
- ◆ Four Gain Options Available:
  - TS1102-25: Gain = 25V/V
  - TS1102-50: Gain = 50V/V
  - TS1102-100: Gain = 100V/V
  - TS1102-200: Gain = 200V/V
- ◆ 5-Pin SOT23 Packaging

### APPLICATIONS

Notebook Computers  
 Current-Shunt Measurement  
 Power Management Systems  
 Battery Monitoring  
 Motor Control  
 Load Protection  
 Smart Battery Packs/Chargers

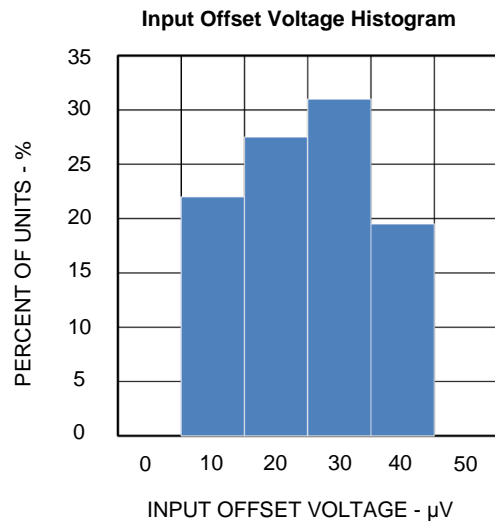
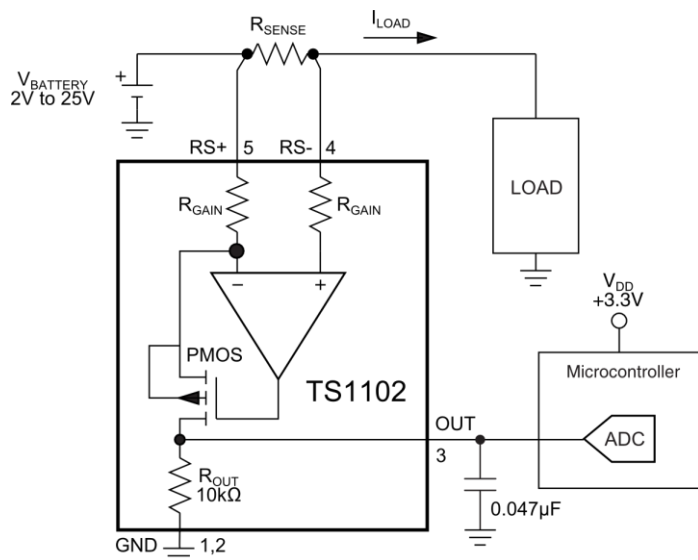
### DESCRIPTION

The voltage-output TS1102 current-sense amplifiers are form-factor identical and electrical improvements to the MAX9938 and the MAX9634 current-sense amplifiers. The TS1102 is the latest addition to the TS1100 family of current-sense amplifiers. Consuming a very low 1 $\mu$ A supply current, the TS1102 high-side current-sense amplifiers combine a 200- $\mu$ V (max)  $V_{OS}$  and a 0.5% (max) gain error for cost-sensitive applications. For all high-side current-sensing applications, the TS1102 features a wide input common-mode voltage range from 2V to 25V.

The SOT23 package makes the TS1102 an ideal choice for pcb-area-critical, low-current, high-accuracy current-sense applications in all battery-powered, remote or hand-held portable instruments.

All TS1102s are specified for operation over the -40°C to +105°C extended temperature range.

### TYPICAL APPLICATION CIRCUIT



PART	GAIN OPTION
TS1102-25	25 V/V
TS1102-50	50 V/V
TS1102-100	100 V/V
TS1102-200	200 V/V

The Touchstone Semiconductor logo is a registered trademark of Touchstone Semiconductor, Incorporated.

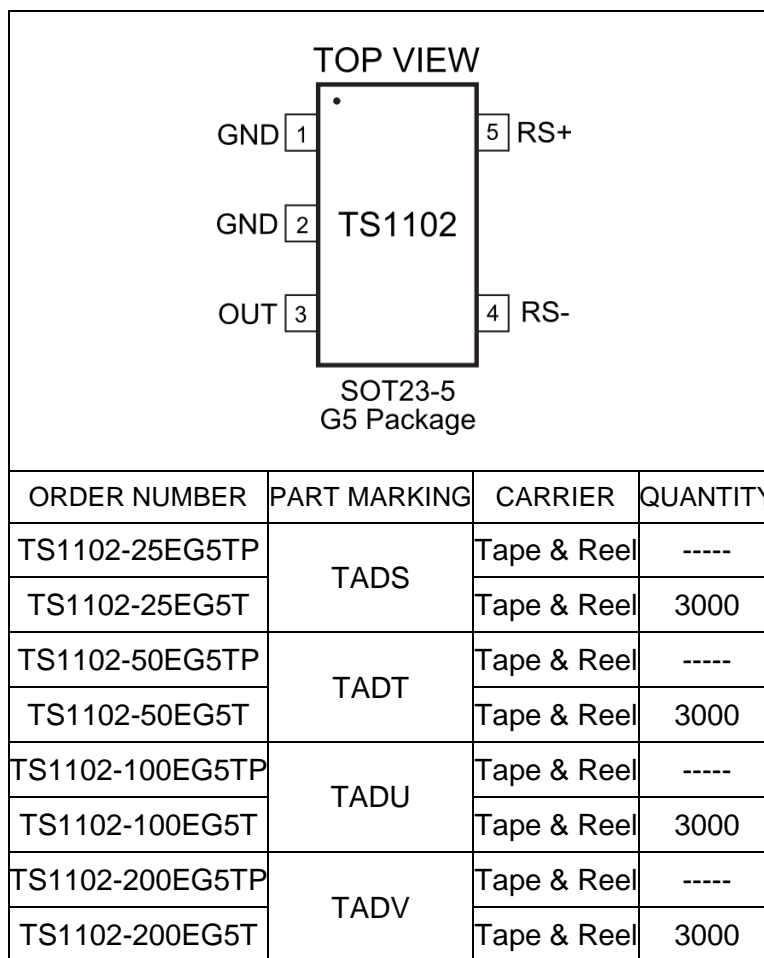
## ABSOLUTE MAXIMUM RATINGS

RS+, RS- to GND .....-0.3V to +27V  
 OUT to GND.....-0.3V to +6V  
 RS+ to RS-..... ±27V  
 Short-Circuit Duration: OUT to GND ..... Continuous  
 Continuous Input Current (Any Pin) ..... ±20mA  
 Continuous Power Dissipation (T<sub>A</sub> = +70°C)  
 5-Pin SOT23 (Derate at 3.9mW/°C above +70°C).. 312mW

Operating Temperature Range ..... -40°C to +105°C  
 Junction Temperature ..... +150°C  
 Storage Temperature Range ..... -65°C to +150°C  
 Lead Temperature (Soldering, 10s) ..... +300°C  
 Soldering Temperature (Reflow) ..... +260°C

Electrical and thermal stresses beyond those listed under “Absolute Maximum Ratings” may cause permanent damage to the device. These are stress ratings only and functional operation of the device at these or any other condition beyond those indicated in the operational sections of the specifications is not implied. Exposure to any absolute maximum rating conditions for extended periods may affect device reliability and lifetime.

## PACKAGE/ORDERING INFORMATION



**Lead-free Program:** Touchstone Semiconductor supplies only lead-free packaging.

Consult Touchstone Semiconductor for products specified with wider operating temperature ranges.

## ELECTRICAL CHARACTERISTICS

$V_{RS+} = V_{RS-} = 3.6V$ ;  $V_{SENSE} = (V_{RS+} - V_{RS-}) = 0V$ ;  $C_{OUT} = 47nF$ ;  $T_A = -40^{\circ}C$  to  $+105^{\circ}C$ , unless otherwise noted. Typical values are at  $T_A = +25^{\circ}C$ . See Note 1

PARAMETER	SYMBOL	CONDITIONS	MIN	TYP	MAX	UNITS
Supply Current (Note 2)	$I_{CC}$	$T_A = +25^{\circ}C$		0.68	0.85	$\mu A$
		$V_{RS+} = 25V$	$T_A = +25^{\circ}C$		1.0	
					1.0	
					1.2	
Common-Mode Input Range	$V_{CM}$	Guaranteed by CMRR	2		25	V
Common-Mode Rejection Ratio	CMRR	$2V < V_{RS+} < 25V$	120	150		dB
Input Offset Voltage (Note 3)	$V_{OS}$	$T_A = +25^{\circ}C$		$\pm 30$	$\pm 200$	$\mu V$
					$\pm 300$	
Gain	G	TS1102-25		25		V/V
		TS1102-50		50		
		TS1102-100		100		
		TS1102-200		200		
Gain Error (Note 4)	GE	$T_A = +25^{\circ}C$		$\pm 0.1$	$\pm 0.5$	%
					$\pm 0.6$	
Output Resistance (Note 5)	$R_{OUT}$	TS1102-25/50/100	7.0	10	13.2	k $\Omega$
		TS1102-200	14.0	20	26.4	
OUT Low Voltage	$V_{OL}$	Gain = 25			5	mV
		Gain = 50			10	
		Gain = 100			20	
		Gain = 200			40	
OUT High Voltage (Note 6)	$V_{OH}$	$V_{OH} = V_{RS-} - V_{OUT}$		0.05	0.2	V
Output Settling Time	$t_s$	TS1102-25/50/100	1% final value, $V_{OUT} = 3V$	2.2		ms
		TS1102-200		4.3		ms

**Note 1:** All devices are 100% production tested at  $T_A = +25^{\circ}C$ . All temperature limits are guaranteed by product characterization.

**Note 2:** Extrapolated to  $V_{OUT} = 0$ .  $I_{CC}$  is the total current into the  $RS+$  and the  $RS-$  pins.

**Note 3:** Input offset voltage  $V_{OS}$  is extrapolated from  $V_{OUT}$  with  $V_{SENSE}$  set to 1mV.

**Note 4:** Gain error is calculated by applying two values for  $V_{SENSE}$  and then calculating the error of the actual slope vs. the ideal transfer characteristic:

For GAIN = 25, the applied  $V_{SENSE}$  is 20mV and 120mV.

For GAIN = 50, the applied  $V_{SENSE}$  is 10mV and 60mV.

For GAIN = 100, the applied  $V_{SENSE}$  is 5mV and 30mV.

For GAIN = 200, the applied  $V_{SENSE}$  is 2.5mV and 15mV.

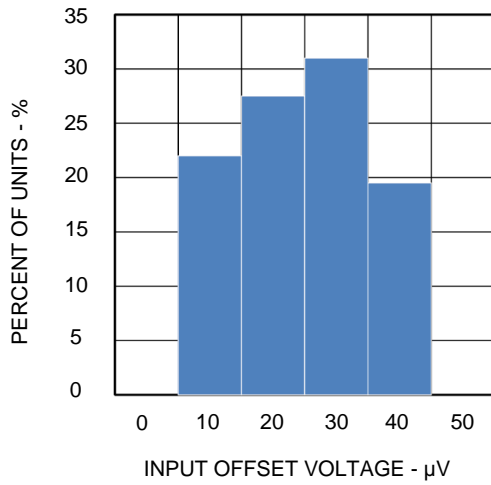
**Note 5:** The device is stable for any capacitive load at  $V_{OUT}$ .

**Note 6:**  $V_{OH}$  is the voltage from  $V_{RS-}$  to  $V_{OUT}$  with  $V_{SENSE} = 3.6V/GAIN$ .

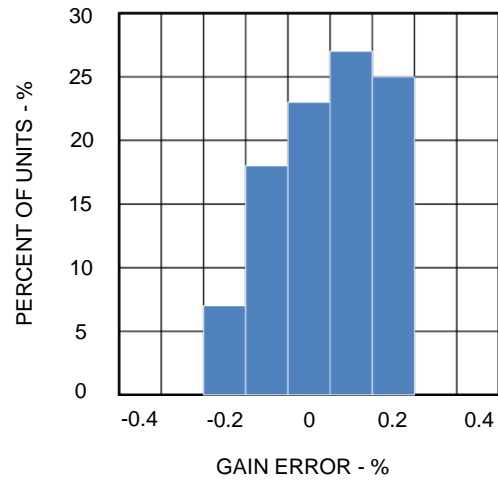
## TYPICAL PERFORMANCE CHARACTERISTICS

$V_{RS+} = V_{RS-} = 3.6V$ ;  $T_A = +25^\circ C$ , unless otherwise noted.

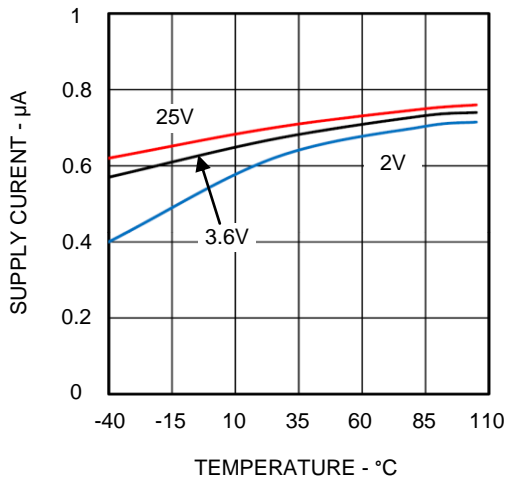
**Input Offset Voltage Histogram**



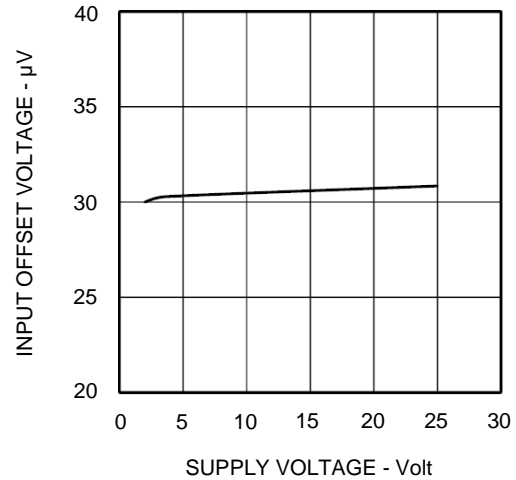
**Gain Error Histogram**



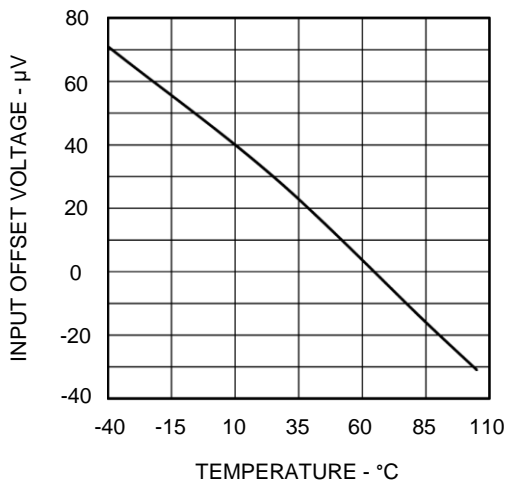
**Supply Current vs Temperature**



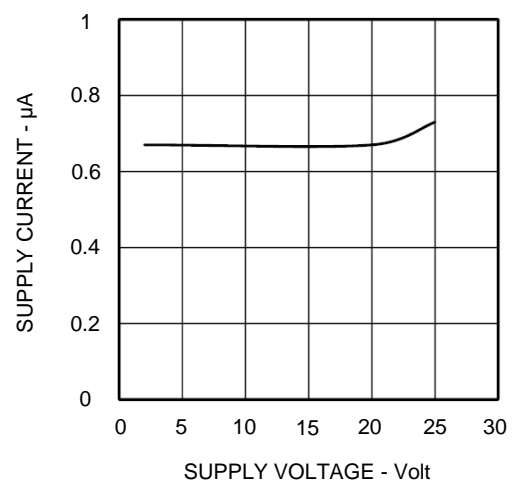
**Input Offset Voltage vs Common-Mode Voltage**



**Input Offset Voltage vs Temperature**



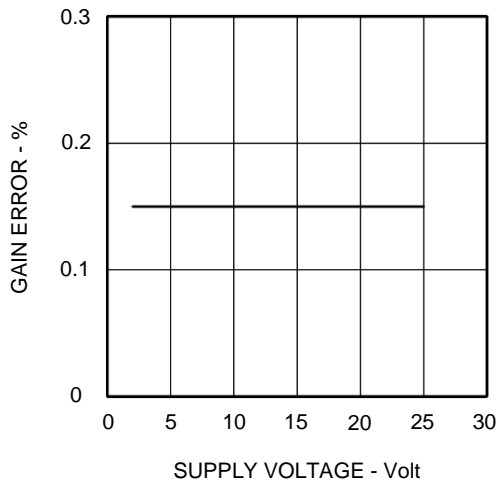
**Supply Current vs Common-Mode Voltage**



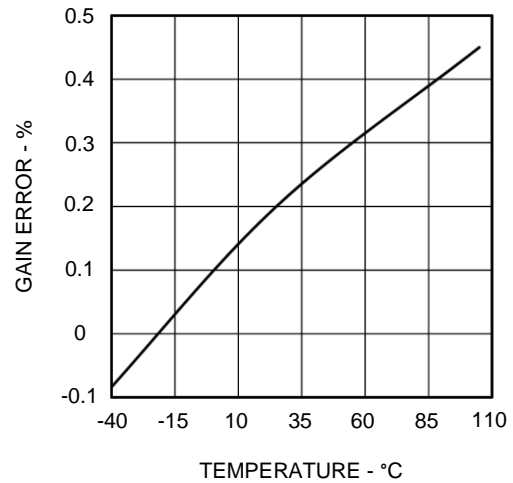
## TYPICAL PERFORMANCE CHARACTERISTICS

$V_{RS+} = V_{RS-} = 3.6V$ ;  $T_A = +25^\circ C$ , unless otherwise noted.

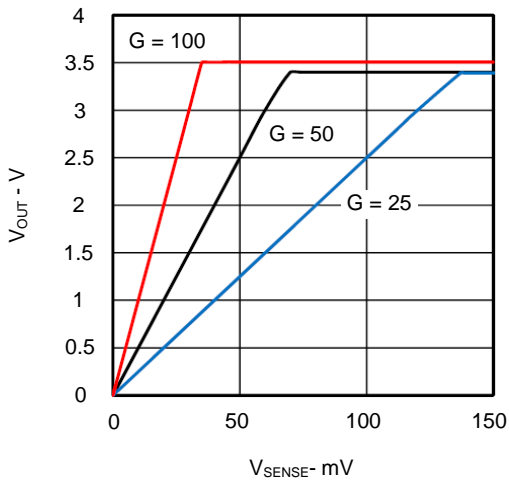
**Gain Error vs Common-Mode Voltage**



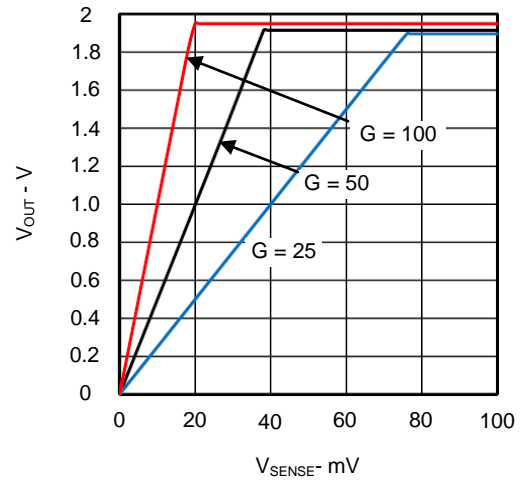
**Gain Error vs. Temperature**



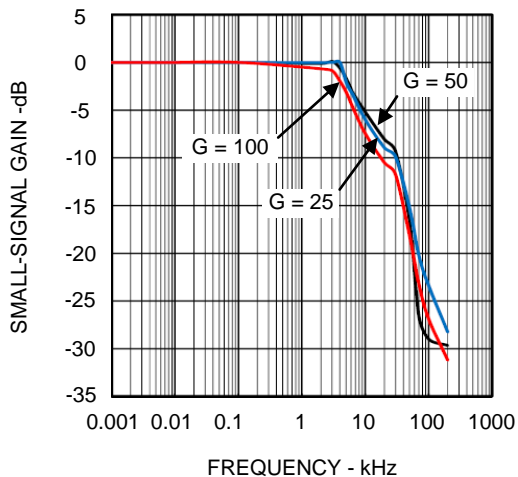
**$V_{OUT}$  vs  $V_{SENSE}$  @ Supply = 3.6V**



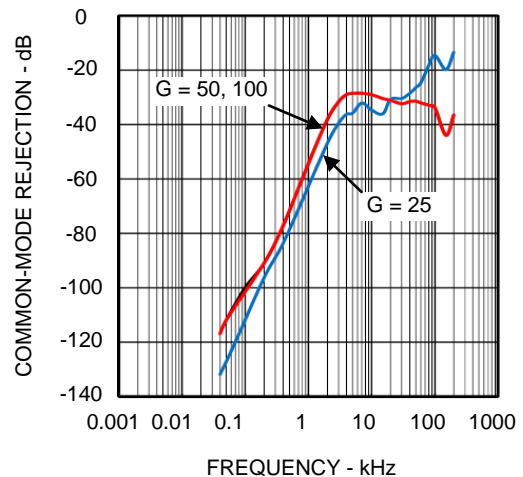
**$V_{OUT}$  vs  $V_{SENSE}$  @ Supply = 2V**



**Small-Signal Gain vs Frequency**



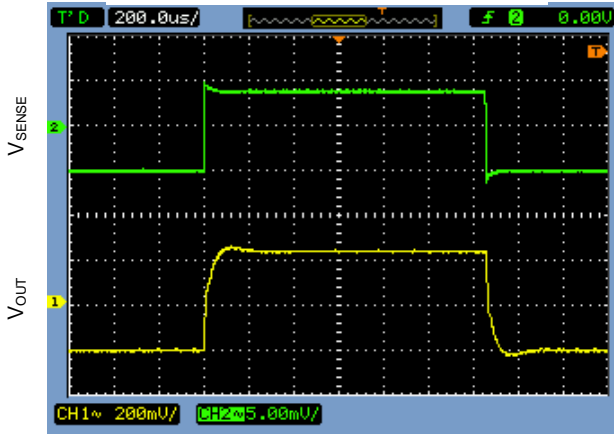
**Common-Mode Rejection vs Frequency**



## TYPICAL PERFORMANCE CHARACTERISTICS

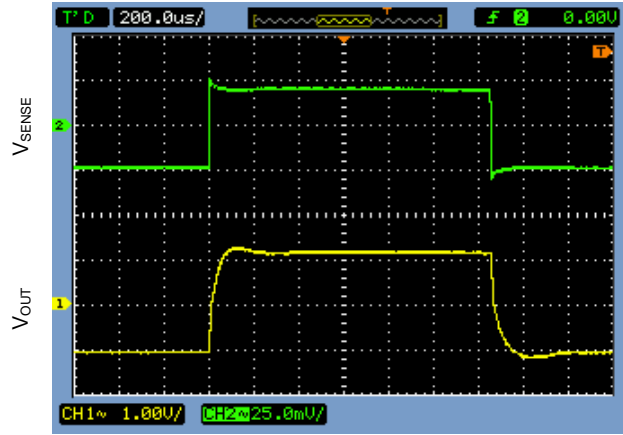
$V_{RS+} = V_{RS-} = 3.6V$ ;  $T_A = +25^\circ C$ , unless otherwise noted.

Small-Signal Pulse Response, Gain = 50



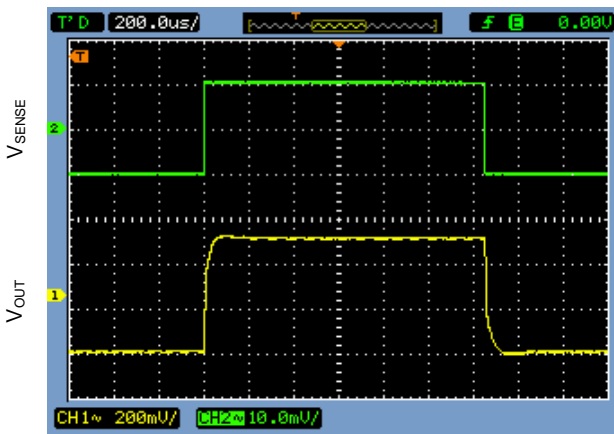
200µs/DIV

Large-Signal Pulse Response, Gain = 50



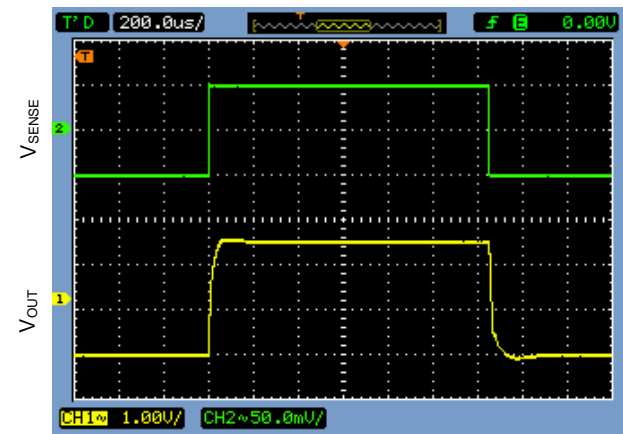
200µs/DIV

Small-Signal Pulse Response, Gain = 25



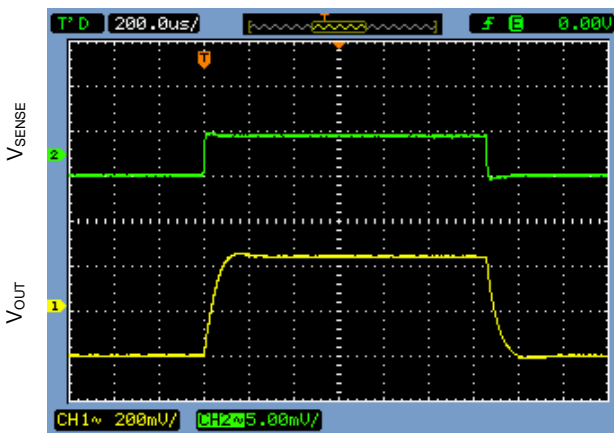
200µs/DIV

Large-Signal Pulse Response, Gain = 25



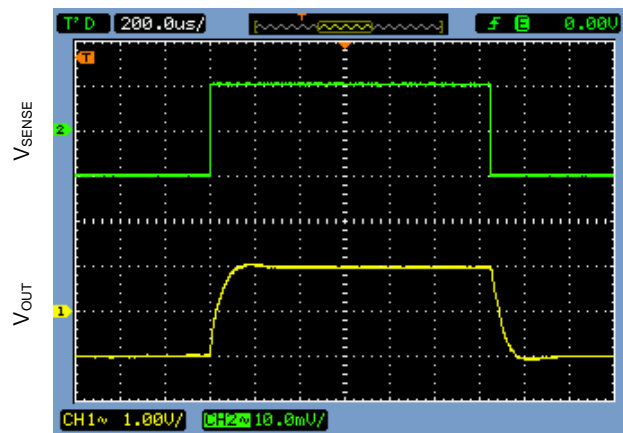
200µs/DIV

Small-Signal Pulse Response, Gain = 100



200µs/DIV

Large-Signal Pulse Response, Gain = 100

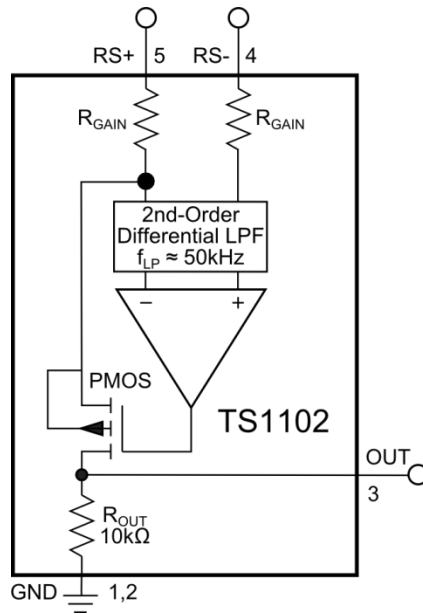


200µs/DIV

## PIN FUNCTIONS

PIN SOT23	LABEL	FUNCTION
5	RS+	External Sense Resistor Power-Side Connection
4	RS-	External Sense Resistor Load-Side Connection
1, 2	GND	Ground. Connect these pins to analog ground.
3	OUT	Output Voltage. $V_{OUT}$ is proportional to $V_{SENSE} = V_{RS+} - V_{RS-}$ .

## BLOCK DIAGRAM



## DESCRIPTION OF OPERATION

The internal configuration of the TS1102 – a unidirectional high-side, current-sense amplifier - is based on a commonly-used operational amplifier (op amp) circuit for measuring load currents (in one direction) in the presence of high-common-mode voltages. In the general case, a current-sense amplifier monitors the voltage caused by a load current through an external sense resistor and generates an output voltage as a function of that load current. Referring to the typical application circuit on Page 1, the inputs of the op-amp-based circuit are connected across an external RSENSE resistor that is used to measure load current. At the non-inverting input of the TS1102 (the RS+ terminal), the applied voltage is  $I_{LOAD} \times RSENSE$ . Since the RS- terminal is the non-inverting input of the internal op amp, op-amp feedback action forces the inverting input of the

internal op amp to the same potential ( $I_{LOAD} \times RSENSE$ ). Therefore, the voltage drop across RSENSE ( $V_{SENSE}$ ) and the voltage drop across  $R_{GAIN}$  (at the RS+ terminal) are equal. To minimize any additional error because of op-amp input bias current mismatch, both  $R_{GAIN}$ s are the same value.

Since the internal p-channel FET's source is connected to the inverting input of the internal op amp and since the voltage drop across  $R_{GAIN}$  is the same as the external  $V_{SENSE}$ , op amp feedback action drives the gate of the FET such that the FET's drain-source current is equal to:

$$I_{DS} = \frac{V_{SENSE}}{R_{GAIN}}$$

or

$$I_{DS} = \frac{I_{LOAD} \times R_{SENSE}}{R_{GAIN}}$$

Since the FET's drain terminal is connected to  $R_{OUT}$ , the output voltage of the TS1102 at the OUT terminal is, therefore;

$$V_{OUT} = I_{LOAD} \times R_{SENSE} \times \frac{R_{OUT}}{R_{GAIN}}$$

The current-sense amplifier's gain accuracy is therefore the ratio match of  $R_{OUT}$  to  $R_{GAIN}$ . For each of the four gain options available, Table 1 lists the values for  $R_{OUT}$  and  $R_{GAIN}$ . The TS1102's output stage is protected against input overdrive by use of an output current-limiting circuit of 3mA (typical) and a 7V internal clamp protection circuit.

**Table 1: Internal Gain Setting Resistors (Typical Values)**

GAIN (V/V)	R <sub>GAIN</sub> (Ω)	R <sub>OUT</sub> (Ω)	Part Number
25	400	10k	TS1102-25
50	200	10k	TS1102-50
100	100	10k	TS1102-100
200	100	20k	TS1102-200

To achieve its very-low input offset voltage performance over temperature,  $V_{SENSE}$  voltage, and power supply voltage, the design of the TS1102's amplifier is chopper-stabilized, a commonly-used technique to reduce significantly the input offset voltage of amplifiers. This method, however, does employ the use of sampling techniques and therefore residue of the TS1102's 10kHz internal clock is contained in the TS1102's output voltage spectrum.

## APPLICATIONS INFORMATION

### Choosing the Sense Resistor

Selecting the optimal value for the external  $R_{SENSE}$  is based on the following criteria and for each commentary follows:

- 1)  $R_{SENSE}$  Voltage Loss
- 2)  $V_{OUT}$  Swing vs. Applied Input Voltage at  $V_{RS+}$  and Desired  $V_{SENSE}$
- 3) Total  $I_{LOAD}$  Accuracy
- 4) Circuit Efficiency and Power Dissipation
- 5)  $R_{SENSE}$  Kelvin Connections
- 6) Sense Resistor Composition

#### 1) $R_{SENSE}$ Voltage Loss

For lowest IR voltage loss in  $R_{SENSE}$ , the smallest usable value for  $R_{SENSE}$  should be selected.

#### 2) $V_{OUT}$ Swing vs. Applied Input Voltage at $V_{RS+}$ and Desired $V_{SENSE}$

As there is no separate power supply pin for the TS1102, the circuit draws its power from the applied voltage at both its  $RS+$  and  $RS-$  terminals. Therefore, the signal voltage at the OUT terminal is bounded by the minimum supply voltage applied to the TS1102.

Therefore,

$$V_{OUT(max)} = V_{RS+(min)} - V_{SENSE(max)} - V_{OH(max)}$$

and

$$R_{SENSE} = \frac{V_{OUT(max)}}{GAIN \times I_{LOAD(max)}}$$

where the full-scale  $V_{SENSE}$  should be less than  $V_{OUT(MAX)}/GAIN$  at the application's minimum  $RS+$  terminal voltage. For best performance with a 3.6V power supply,  $R_{SENSE}$  should be chosen to generate a  $V_{SENSE}$  of: a) 120mV (for the 25V/V GAIN option), b) 60mV (for the 50V/V GAIN option), c) 30mV (for the 100V/V GAIN option), or d) 15mV (for the 200V/V GAIN option) at the full-scale  $I_{LOAD(MAX)}$  current in each application. For the case where the minimum power supply voltage is higher than 3.6V, each of the four full-scale  $V_{SENSE}$ s above can be increased.

#### 3) Total $I_{LOAD}$ Accuracy

In the TS1102's linear region where  $V_{OUT} < V_{OUT(MAX)}$ , there are two specifications related to the circuit's accuracy: a) the TS1102's input offset voltage ( $V_{OS} = 200\mu V$ , max) and b) its gain error ( $GE(max) = 0.5\%$ ).



An expression for the TS1102's total output voltage (+ error) is given by:

$$V_{OUT} = [GAIN \times (1 \pm GE) \times V_{SENSE}] \pm (GAIN \times V_{OS})$$

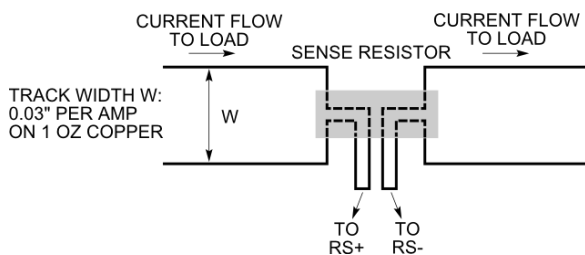
A large value for RSENSE permits the use of smaller load currents to be measured more accurately because the effects of offset voltages are less significant when compared to larger VSENSE voltages. Due care though should be exercised as previously mentioned with large values of RSENSE.

#### 4) Circuit Efficiency and Power Dissipation

IR losses in RSENSE can be large especially at high load currents. It is important to select the smallest, usable RSENSE value to minimize power dissipation and to keep the physical size of RSENSE small. If the external RSENSE is allowed to dissipate significant power, then its inherent temperature coefficient may alter its design center value, thereby reducing load current measurement accuracy. Precisely because the TS1102's input stage was designed to exhibit a very low input offset voltage, small RSENSE values can be used to reduce power dissipation and minimize local hot spots on the pcb.

#### 5) RSENSE Kelvin Connections

For optimal VSENSE accuracy in the presence of large load currents, parasitic pcb track resistance should be minimized. Kelvin-sense pcb connections



**Figure 1:** Making PCB Connections to the Sense Resistor.

between RSENSE and the TS1102's RS+ and RS- terminals are strongly recommended. The drawing in Figure 1 illustrates the connections between the current-sense amplifier and the current-sense resistor. The pcb layout should be balanced and symmetrical to minimize wiring-induced errors. In addition, the pcb layout for RSENSE should include good thermal management techniques for optimal RSENSE power dissipation.

#### 6) RSENSE Composition

Current-shunt resistors are made available in metal film, metal strip, and wire-wound constructions. Wire-wound current-shunt resistors are constructed with wire spirally wound onto a core. As a result, these types of current shunt resistors exhibit the largest self inductance. In applications where the load current contains high-frequency transients, metal film or metal strip current sense resistors are recommended.

#### Internal Noise Filter

In power management and motor control applications, current-sense amplifiers are required to measure load currents accurately in the presence of both externally-generated differential and common-mode noise. An example of differential-mode noise that can appear at the inputs of a current-sense amplifier is high-frequency ripple. High-frequency ripple – whether injected into the circuit inductively or capacitively - can produce a differential-mode voltage drop across the external current-shunt resistor (RSENSE). An example of externally-generated, common-mode noise is the high-frequency output ripple of a switching regulator that can result in common-mode noise injection into both inputs of a current-sense amplifier.

Even though the load current signal bandwidth is DC, the input stage of any current-sense amplifier can rectify unwanted, out-of-band noise that can result in an apparent error voltage at its output. This rectification of noise signals occurs because all amplifier input stages are constructed with transistors that can behave as high-frequency signal detectors in the same way pn-junction diodes were used as RF envelope detectors in early radio designs. Against common-mode injected noise, the amplifier's internal common-mode rejection is usually sufficient.

To counter the effects of externally-injected noise, it has always been good engineering practice to add external low-pass filters in series with the inputs of a current-sense amplifier. In the design of discrete current-sense amplifiers, resistors used in the external low-pass filters were incorporated into the circuit's overall design so errors because of any input-bias current-generated offset voltage errors and gain errors were compensated.

With the advent of monolithic current-sense amplifiers, like the TS1102, the addition of external

low-pass filters in series with the current-sense amplifier's inputs only introduces additional offset voltage and gain errors. To minimize or eliminate altogether the need for external low-pass filters and to maintain low input offset voltage and gain errors, the TS1102 incorporates a 50-kHz (typ), 2<sup>nd</sup>-order differential low-pass filter as shown in the TS1102's Block Diagram.

### Optional Output Filter Capacitor

If the TS1102 is part of a signal acquisition system where its OUT terminal is connected to the input of an ADC with an internal, switched-capacitor track-and-hold circuit, the internal track-and-hold's sampling capacitor can cause voltage droop at V<sub>OUT</sub>. A 22nF to 100nF good-quality ceramic capacitor from the OUT terminal to GND forms a low-pass filter with the TS1102's R<sub>OUT</sub> and should be used to minimize voltage droop (holding V<sub>OUT</sub> constant during the sample interval). Using a capacitor on the OUT terminal will also reduce the TS1102's small-signal bandwidth as well as band-limiting amplifier noise.

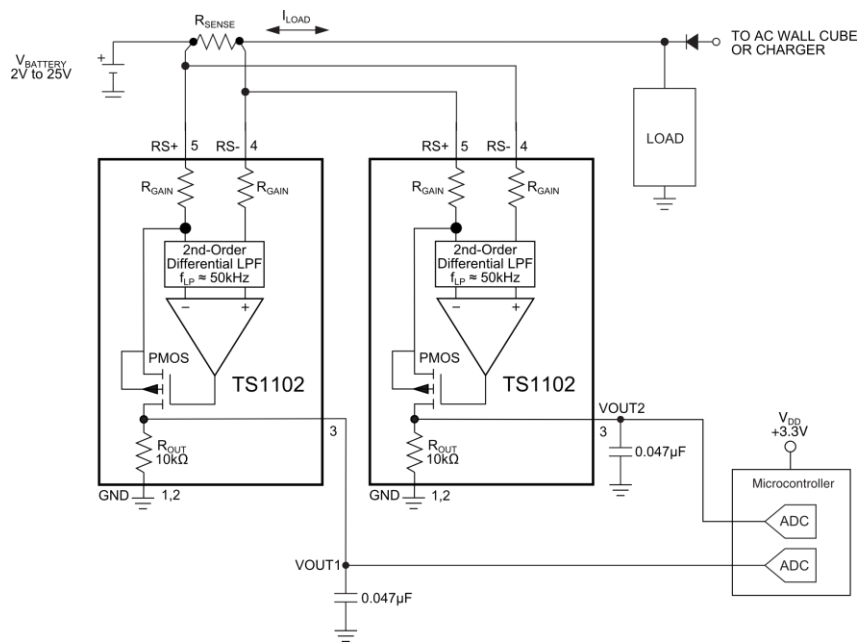
### PC Board Layout and Power-Supply Bypassing

For optimal circuit performance, the TS1102 should be in very close proximity to the external current-sense resistor and the pcb tracks from RSENSE to

the RS+ and the RS- input terminals of the TS1102 should be short and symmetric. Also recommended are a ground plane and surface mount resistors and capacitors.

### Using the TS1102 in Bidirectional Load Current Applications

In many battery-powered systems, it is oftentimes necessary to monitor a battery's discharge and charge currents. To perform this function, a bidirectional current-sense amplifier is required. The circuit illustrated in Figure 2 shows how two TS1102s can be configured as a bidirectional current-sense amplifier. As shown in the figure, the RS+/RS- input pair of TS1102 #2 is wired opposite in polarity with respect to the RS+/RS- connections of TS1102 #1. Current-sense amplifier #1 therefore measures the discharge current and current-sense amplifier #2 measures the charge current. Note that both output voltages are measured with respect to GND. When the discharge current is being measured, V<sub>OUT1</sub> is active and V<sub>OUT2</sub> is zero; for the case where charge current is being measured, V<sub>OUT1</sub> is zero, and V<sub>OUT2</sub> is active.

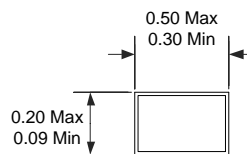
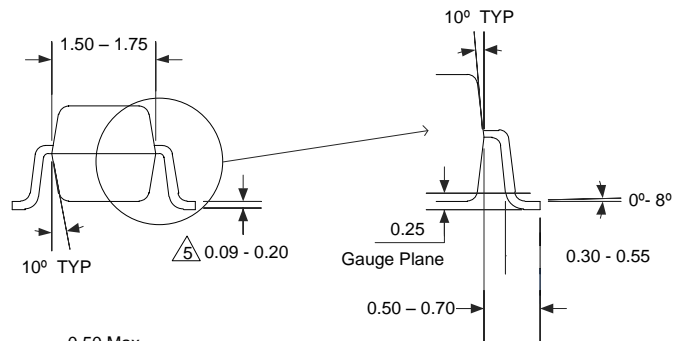
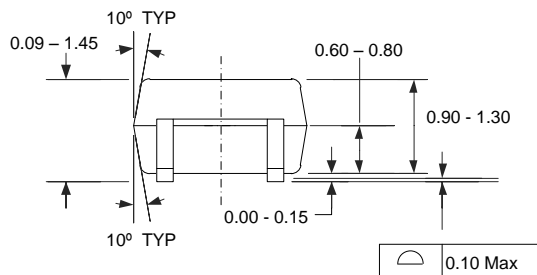
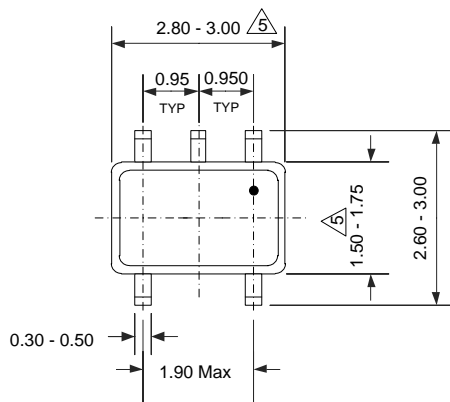


**Figure 2:** Using Two TS1102s for Bidirectional Load Current Detection

## PACKAGE OUTLINE DRAWING

### 5-Pin SOT23 Package Outline Drawing

(N.B., Drawings are not to scale)



#### NOTES:

1. Dimensions and tolerances are as per ANSI Y14.5M, 1982.
2. Package surface to be matte finish VDI 11-13.
3. Die is facing up mold and facing down for trim/form, ie, reverse trim/form.
4. The foot length measuring is based on the gauge plane method.
5. Dimensions are exclusive of mold flash and gate burr.
6. Dimensions are exclusive of solder plating.
7. All dimensions are in mm.
8. This part is compliant with EIAJ spec. and JEDEC MO-178 AA
9. Lead span/stand off height/coplanarity are considered as special characteristic.

Information furnished by Touchstone Semiconductor is believed to be accurate and reliable. However, Touchstone Semiconductor does not assume any responsibility for its use nor for any infringements of patents or other rights of third parties that may result from its use, and all information provided by Touchstone Semiconductor and its suppliers is provided on an AS IS basis, WITHOUT WARRANTY OF ANY KIND. Touchstone Semiconductor reserves the right to change product specifications and product descriptions at any time without any advance notice. No license is granted by implication or otherwise under any patent or patent rights of Touchstone Semiconductor. Touchstone Semiconductor assumes no liability for applications assistance or customer product design. Customers are responsible for their products and applications using Touchstone Semiconductor components. To minimize the risk associated with customer products and applications, customers should provide adequate design and operating safeguards. Trademarks and registered trademarks are the property of their respective owners.