



DATA SHEET	53112680
SKINTOP® MS-M BRUSH	valid from: 30.11.2015

The SKINTOP® MS-M BRUSH a nickel-plated brass cable gland especially designed for copper-screened cables, used to achieve a low-resistance screen contact, strain relief and high protection class.
The SKINTOP® MS-M BRUSH contacts the screen much faster than any other system.



Components:

Gland body	Brass, nickel-plated
Cap nut	Brass, nickel-plated
Insert with lamellar cage	Polyamide, V2 acc. to UL 94
Sealing ring	Elastomer
Contact brush	Brass wire
O-ring	Elastomer

Technical features:

Connecting thread	M25x1,5 up to M63x1.5 acc. to EN 60423
Protection class	IP68 – 10 bar, test acc. to EN 60529 IP69 acc. to EN 60529 (except for M63x1.5 plus)
Temperature range	Dynamic -25 °C up to +100 °C Statically -40 °C up to +100 °C
Transfer impedance	≤ 10 mOhm
Corrosion-protection class	C4

Approvals:



UL File Nr. E79903

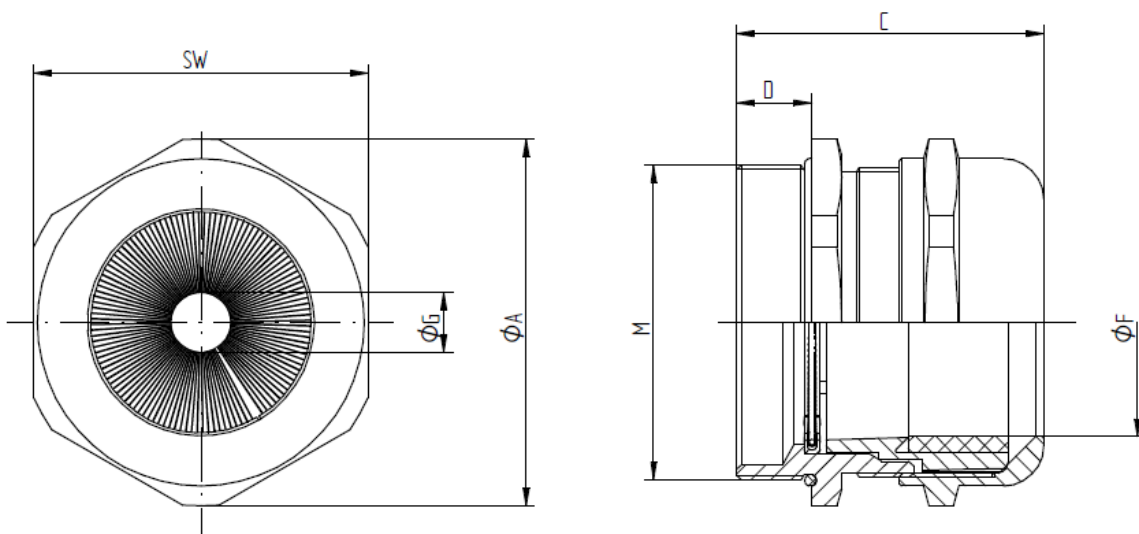
Norm references:



For more information please see our current catalogue.

elaborated by: PDP: T. Dvoulety	document: DB53112680_9EN	page 1 of 2
------------------------------------	--------------------------	-------------

DATA SHEET	53112680
SKINTOP® MS-M BRUSH	valid from: 30.11.2015



M	SW [mm]	Ø A [mm]	C max. [mm]	D [mm]	Ø F [mm] Clamping range	Ø G [mm] over braiding	O-Ring [mm]	Article No.
M25x1,5	29	31,9	36,0	8	9–17	6–13,5	22x2	53112676
M32x1,5	36	39,6	42,2	9	11–21	8–18	28x2	53112677
M40x1,5	45	49,5	49,5	9	19–28	10–26	36x2	53112678
M50x1,5	54	59,0	52,0	10	27–35	14–36	46x2	53112679
M63x1,5	67	73,5	61,3	15	34–45	20–40	57x2	53112680
M63x1,5 plus	75	83,9	69,0	15	44–55	25–47	57x2	53112681

Recommended torque rates in acc. to EN 50262:

Size	Torque [Nm]
M25x1,5	12
M32x1,5	18
M40x1,5	18
M50x1,5	20
M63x1,5	20
M63x1,5 plus	25