



Brand of NTN Group

Technical data

MUCPPL206-20

Bearing units

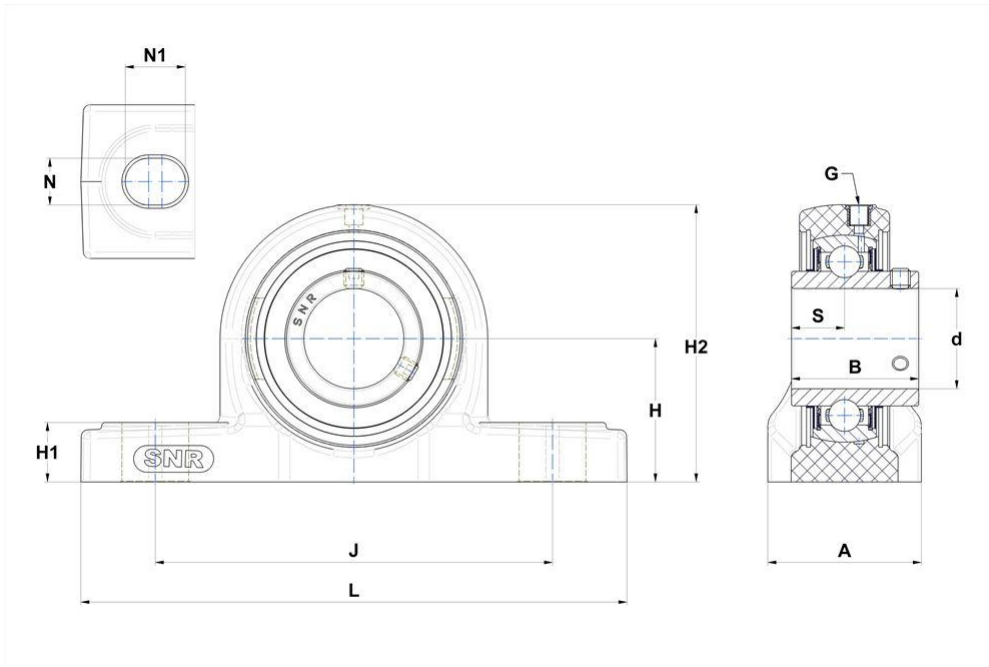


Thermoplastic housing, stainless steel insert ball bearing with socket set screws, seal with slinger, food grease

KIT CONTENT

MUC206-20FD, PPL206

VISUAL (S)



PRODUCT DEFINITION

Brand	SNR
A - Housing width	46 mm
A1 - Housing top width	27 mm
B - Width of Inner Ring	38,1 mm
d - Shaft diameter	31,75 mm



NTN Europe

1 rue des Usines · BP 2017 · 74010 Annecy Cedex · France · Tel. +33 (0)4 50 65 30 00
S.A. au capital de 322 639 919 € · RCS ANNECY B 325 821 072 · Id. Fiscale : FR 48 325 821 072
SIRET 325 821 072 00015 · Code APE 2815 Z · Code NACE 28.15

PRODUCT DEFINITION

G - Grease fitting	1/4-28 UNF
H - Distance mounting base to centerline spheric. seating diam.	42,9 mm
H1 - Housing foot height	17,8 mm
H2 - Housing height	83 mm
J - Mounting holes distance	119 mm
L - Housing length	162 mm
N - Mounting hole dimension	14 mm
N1 - Mounting hole length	18 mm
S - Distance front side/bearing centre	15,9 mm

PRODUCT PERFORMANCE

C - Dynamic load rating	16700000 mN
C0 - Static load rating	9000000 mN
Operating temperature min.	253,15 °K
Operating temperature max.	373,15 °K

OTHER FEATURES

Mass	0,538 kg
Recommended tightening torque for set screw	3.9 N-m

