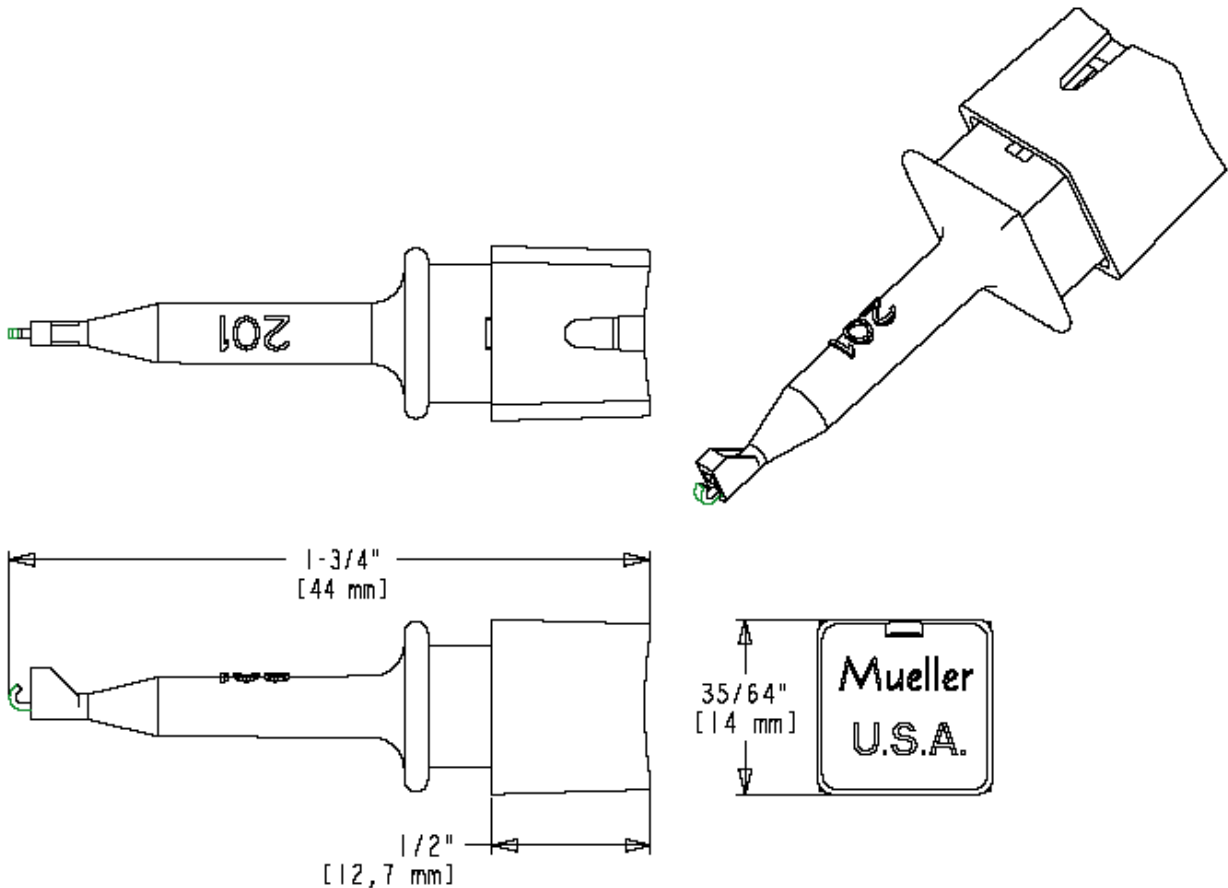




Part Number: BU-00201-\*/ BU-00202-\*/  
BU-00203-\*

Description: Plunger Clip

2907



- Plunger clip
- Material: Cap & Body: glass filled nylon; Spring: Stainless steel; Contact: beryllium copper; insulator to a single contact point
- Length: 1.75" (44 mm)(BU-00201-\*); 2.50" (63 mm)(BU-00202-\*); 3.50" (88 mm)(BU-00203-\*);
- \*Std Colors: -0 Black -2 Red
- Rating: 1000 Volts, 10 Amps