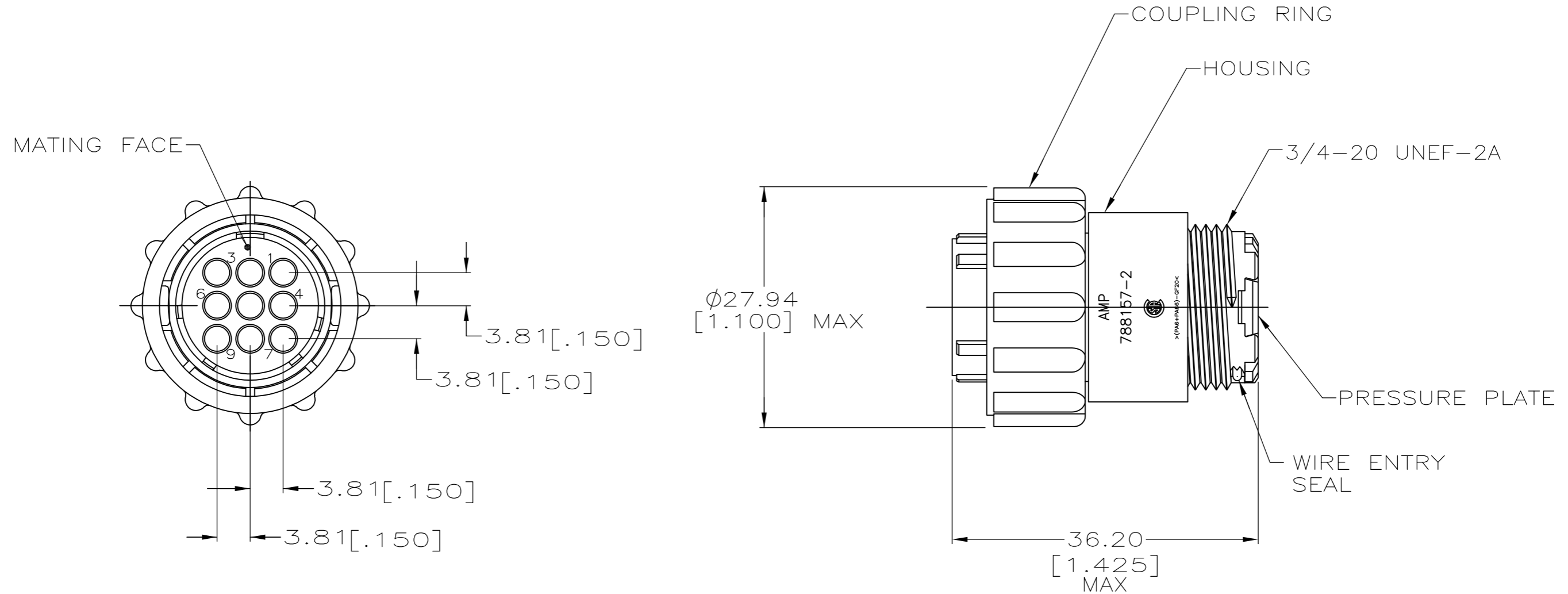


THIS DRAWING IS UNPUBLISHED. RELEASED FOR PUBLICATION
 © COPYRIGHT BY TYCO ELECTRONICS CORPORATION. ALL INTERNATIONAL RIGHTS RESERVED.

LOC	DIST	REVISIONS					
FT	0	P	LTR	DESCRIPTION	DATE	DWN	APVD
			B	REVISE PER ECO-06-004471	11/18/08	SS	BC



- 1. THIS PART WILL ACCEPT NINE (9) MULTIMATE SOCKET CONTACTS.
- 2. COUPLING RING, HOUSING, AND PRESSURE PLATE: NYLON, BLACK. WIRE ENTRY SEAL: ELASTOMER, RED-IRON OXIDE.
- 3. METAL COUPLING RING.

3	.065-.120	STANDARD	788157-3
	.065-.120	STANDARD	788157-2
	.040-.080	SMALL	788157-1
	DIAMETER RANGE	INSULATION	PART NUMBER

THIS DRAWING IS A CONTROLLED DOCUMENT.		DWN C.DORWART 21 AUG 98	Tyco Electronics Corporation Harrisburg, PA 17105-3608	
DIMENSIONS: INCHES	TOLERANCES UNLESS OTHERWISE SPECIFIED:	CHK R.WALTER 21 AUG 98	NAME PLUG ASSEMBLY, 13-9, STANDARD SEX, SERIES I, SEALED, CIRCULAR PLASTIC CONNECTOR	
	0 PLC ± - 1 PLC ± - 2 PLC ± 0.13 [.005] 3 PLC ± - 4 PLC ± - ANGLES ± -	APVD R.WALTER 21 AUG 98	PRODUCT SPEC -	RESTRICTED TO -
MATERIAL -	FINISH -	APPLICATION SPEC -	WEIGHT -	SIZE A3
		CAGE CODE 00779		DRAWING NO 788157
		CUSTOMER DRAWING		SCALE 2:1
		SHEET 1 OF 1		REV B