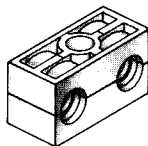


Tube clamps, series B (for normal mechanical stress) – Components

Part number for clamp halves:

Polypropylene – **RBP**
 inside plain – **RBPG**
 Polyamide 6 – **RBN**
 inside plain – **RBNG**

(Please exchange part no. in the column "clamp halves" if needed)

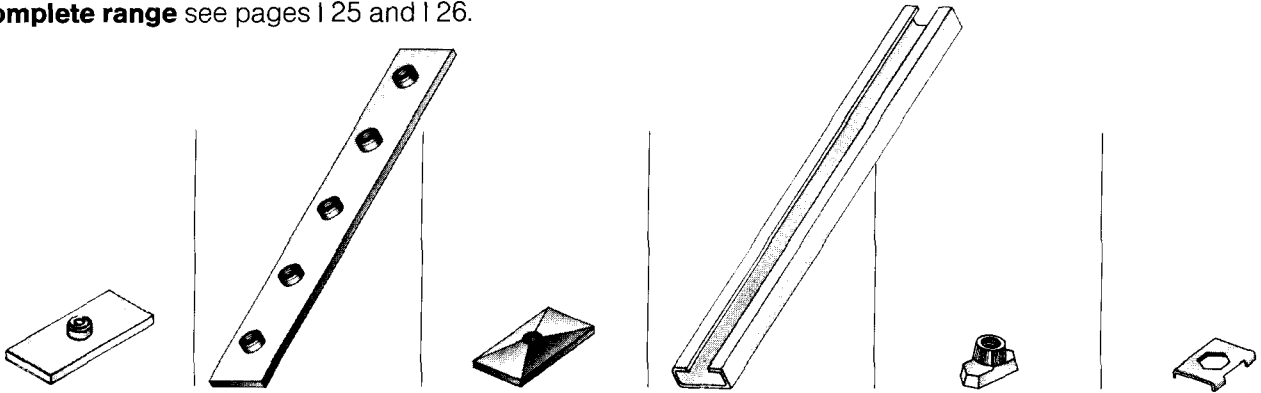


| Clamp size | Tube o.d. | | 1 piece = 2 clamp halves ¹⁾ Polypropylene RBP | – Hexagon head – SS-B | Screws – Cap screws – IS-B | – Stacking – AS-B |
|------------|----------------|----------------|---|---------------------------------|---|-----------------------------|
| | a ₁ | a ₂ | | | | |
| 1 | 6 | 6 | RBP – 106 RBP – 106,4 RBP – 108 RBP – 109,5 RBP – 110 RBP – 112 | SS-B 1 | IS-B 1 | AS-B 1 |
| | 6,4 | 6,4 | | | | |
| | 8 | 8 | | | | |
| | 9,5 | 9,5 | | | | |
| | 10 | 10 | | | | |
| | 12 | 12 | | | | |
| 2 | 12,7 | 12,7 | RBP – 212,7 RBP – 213,5 RBP – 214 RBP – 215 RBP – 216 RBP – 217,2 RBP – 218 | SS-B 2 | IS-B 2 | AS-B 2 |
| | 13,5 | 13,5 | | | | |
| | 14 | 14 | | | | |
| | 15 | 15 | | | | |
| | 16 | 16 | | | | |
| | 17,2 | 17,2 | | | | |
| | 18 | 18 | | | | |
| 3 | 19 | 19 | RBP – 319 RBP – 320 RBP – 321,3 RBP – 322 RBP – 325 | SS-B 3 | IS-B 3 | AS-B 3 |
| | 20 | 20 | | | | |
| | 21,3 | 21,3 | | | | |
| | 22 | 22 | | | | |
| | 25 | 25 | | | | |
| 4 | 26,9 | 26,9 | RBP – 426,9 RBP – 428 RBP – 430 | SS-B 4 | IS-B 4 | AS-B 4 |
| | 28 | 28 | | | | |
| | 30 | 30 | | | | |
| 5 | 32 | 32 | RBP – 532 RBP – 533,7 RBP – 535 RBP – 538 RBP – 542 | SS-B 5 | IS-B 5 | AS-B 5 |
| | 33,7 | 33,7 | | | | |
| | 35 | 35 | | | | |
| | 38 | 38 | | | | |
| | 42 | 42 | | | | |

¹⁾ Double tube clamps with different tube o.d. on request.

Tube clamps, series B (Double tube clamps) – Components

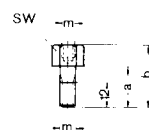
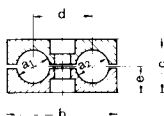
Complete range see pages I 25 and I 26.



| Weld plate AP-B | Strip weld plate APR-B | Top plate DP-B | Mounting rail TS | Locknut TM-B | Locking plate ¹⁾ SB-B |
|---------------------------|----------------------------------|--------------------------|--|------------------------|--|
| AP-B 1 | APR-B 1 (for 5 clamps) | DP-B 1 | | TM-B 1 | SB-B 1 |
| AP-B 2 | APR-B 2 (for 5 clamps) | DP-B 2 | TSN 1 TS 1 TSL 1 (1 meter) TSN 2 TS 2 TSL 2 (2 mtrs.) | TM-B 2 | SB-B 2 |
| AP-B 3 | APR-B 3 (for 5 clamps) | DP-B 3 | | | |
| AP-B 4 | APR-B 4 (for 5 clamps) | DP-B 4 | | | |
| AP-B 5 | APR-B 5 (for 5 clamps) | DP-B 5 | | | |

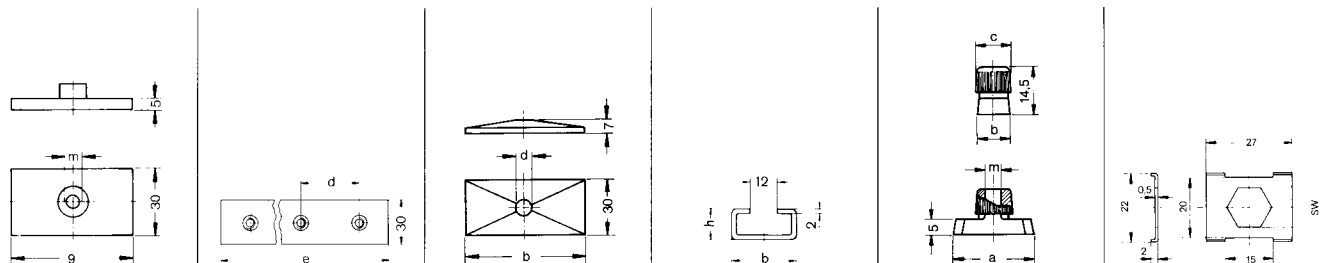
¹⁾ Locking plates are required if a stacking assembly is used!

Tube clamps, series B (Double tube clamps) – Table of dimensions



| Clamp size | Tube o.d. | | 2 clamp halves | | | | – Hexagon head – d x L | Screws – Cap screw – d x L | – Stacking – | | | |
|------------|--|--|----------------|----|----|------|---------------------------|----------------------------------|--------------|----|-----|----|
| | a ₁ | a ₂ | b | c | d | e | | | a | b | m | SW |
| 1 | 6 6,4 8 8,5 10 12 | 6 6,4 8 8,5 10 12 | 36 | 27 | 20 | 13,5 | M 6 x 35 | M 6 x 35 | 20 | 34 | M 6 | 11 |
| 2 | 12,7 13,5 14 15 16 17,2 18 | 12,7 13,5 14 15 16 17,2 18 | 53 | 26 | 29 | 13 | M 8 x 35 | M 8 x 35 | 20 | 33 | M 8 | 12 |
| 3 | 19 20 21,3 22 25 | 19 20 21,3 22 25 | 67 | 37 | 36 | 18,5 | M 8 x 45 | M 8 x 45 | 29 | 44 | M 8 | 12 |
| 4 | 26,9 28 30 | 26,9 28 30 | 82 | 42 | 45 | 21 | M 8 x 50 | M 8 x 50 | 34 | 49 | M 8 | 12 |
| 5 | 32, 33,7 35 38 42 | 32, 33,7 35 38 42 | 106 | 54 | 56 | 27 | M 8 x 60 | M 8 x 60 | 47 | 62 | M 8 | 12 |

Tube clamps, series B (Double tube clamps) – Table of dimensions



| Weld plate | | Strip weld plate | | Top plate | | Mounting rail | | Lock nut | | | | Locking plate |
|------------|-----|------------------|-----|-----------|-----|---------------|----|----------|----|----|-----|---------------|
| g | m | d | e | b | d | b | h | a | b | c | m | SW |
| 37 | M 6 | 40 | 196 | 34 | 6,6 | | | 26 | 11 | 12 | M 6 | 11 |
| 55 | M 8 | 58 | 288 | 51 | 8,6 | | | | | | | |
| | | | | | | 28 | 11 | | | | | |
| | | | | | | 28 | 14 | 26 | 11 | 14 | M 8 | 12 |
| 70 | M 8 | 72 | 358 | 64 | 8,6 | 28 | 30 | | | | | |
| 85 | M 8 | 90 | 446 | 78 | 8,6 | | | | | | | |
| 110 | M 8 | 112 | 558 | 102 | 8,6 | | | | | | | |