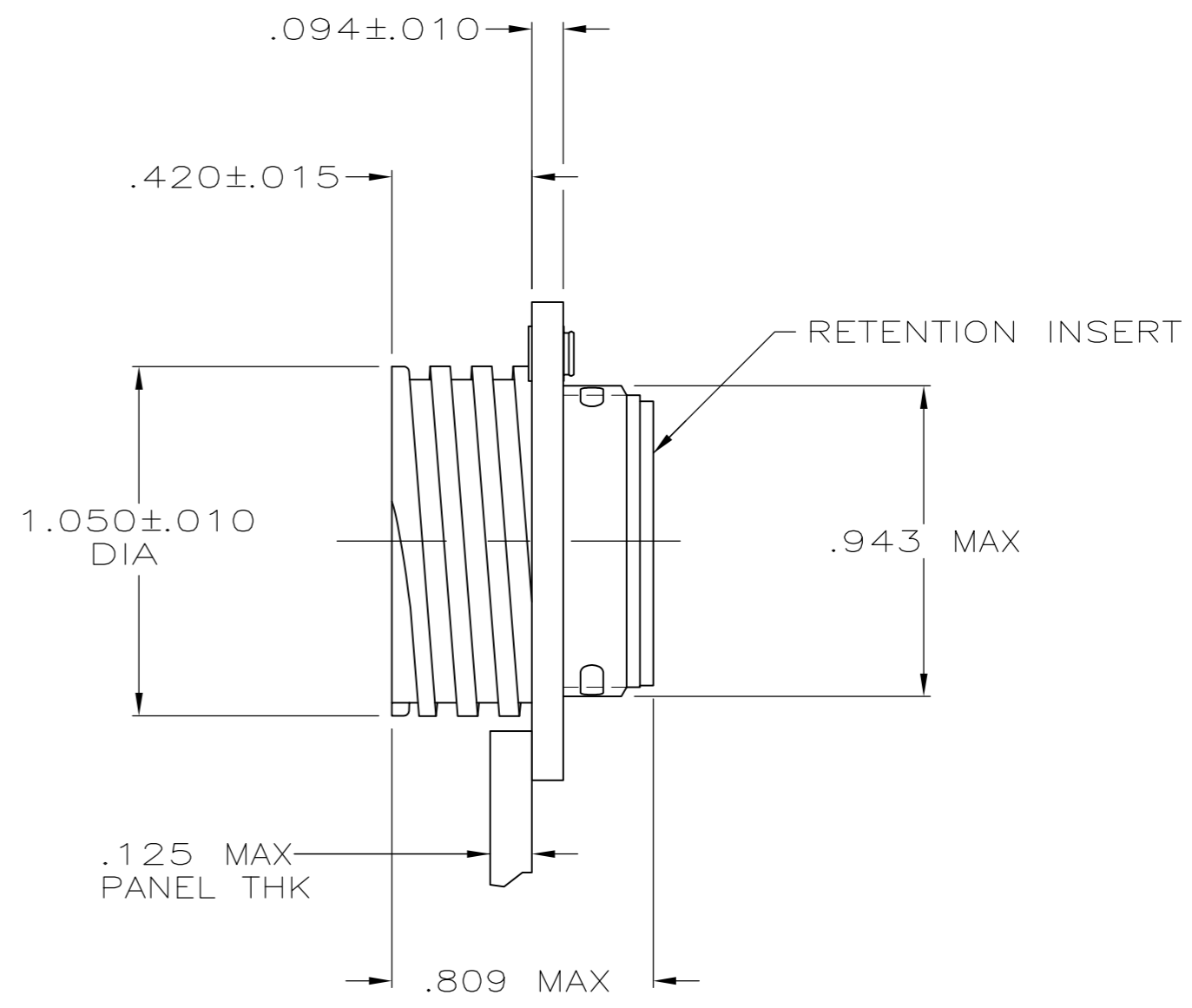
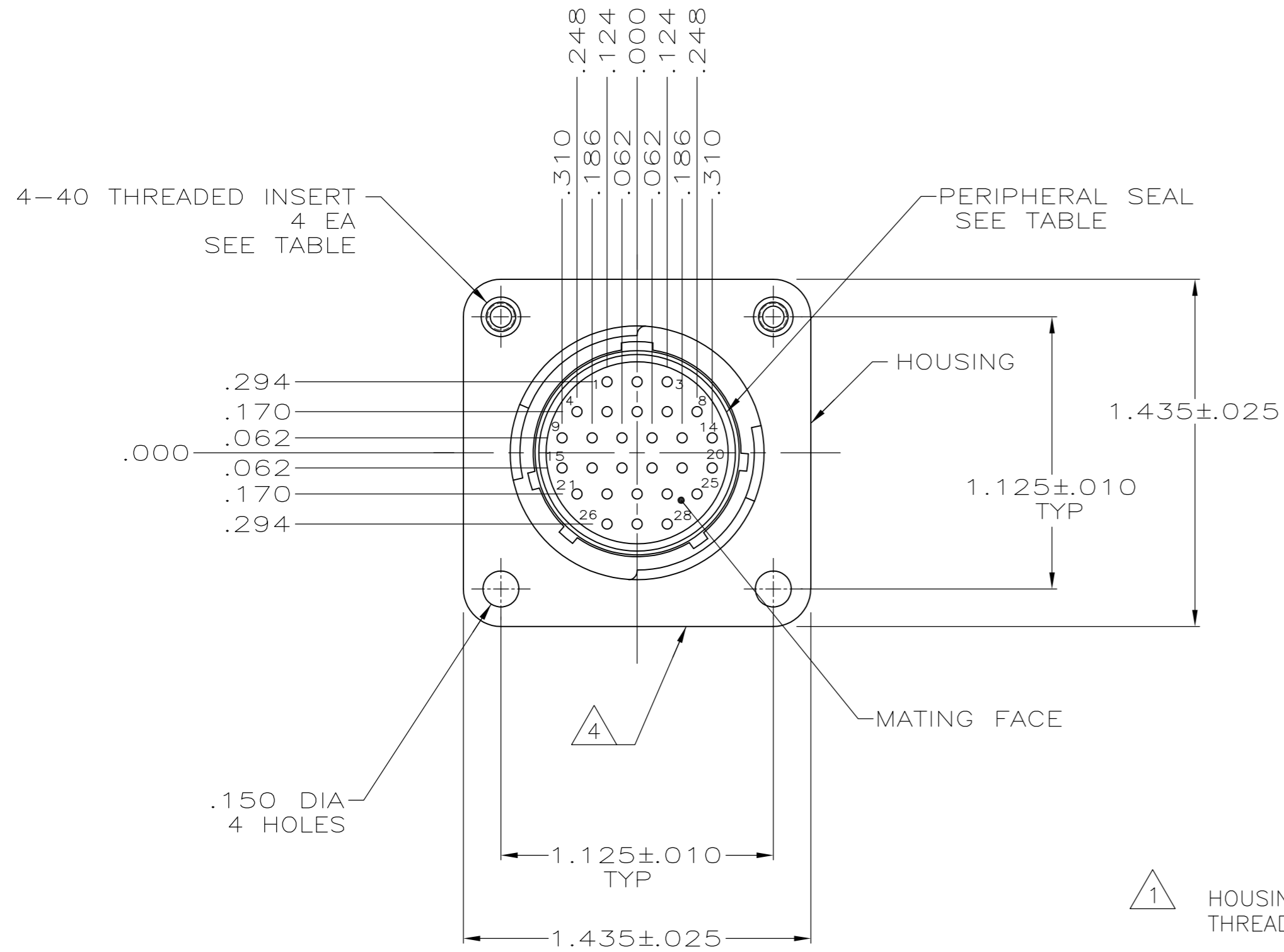
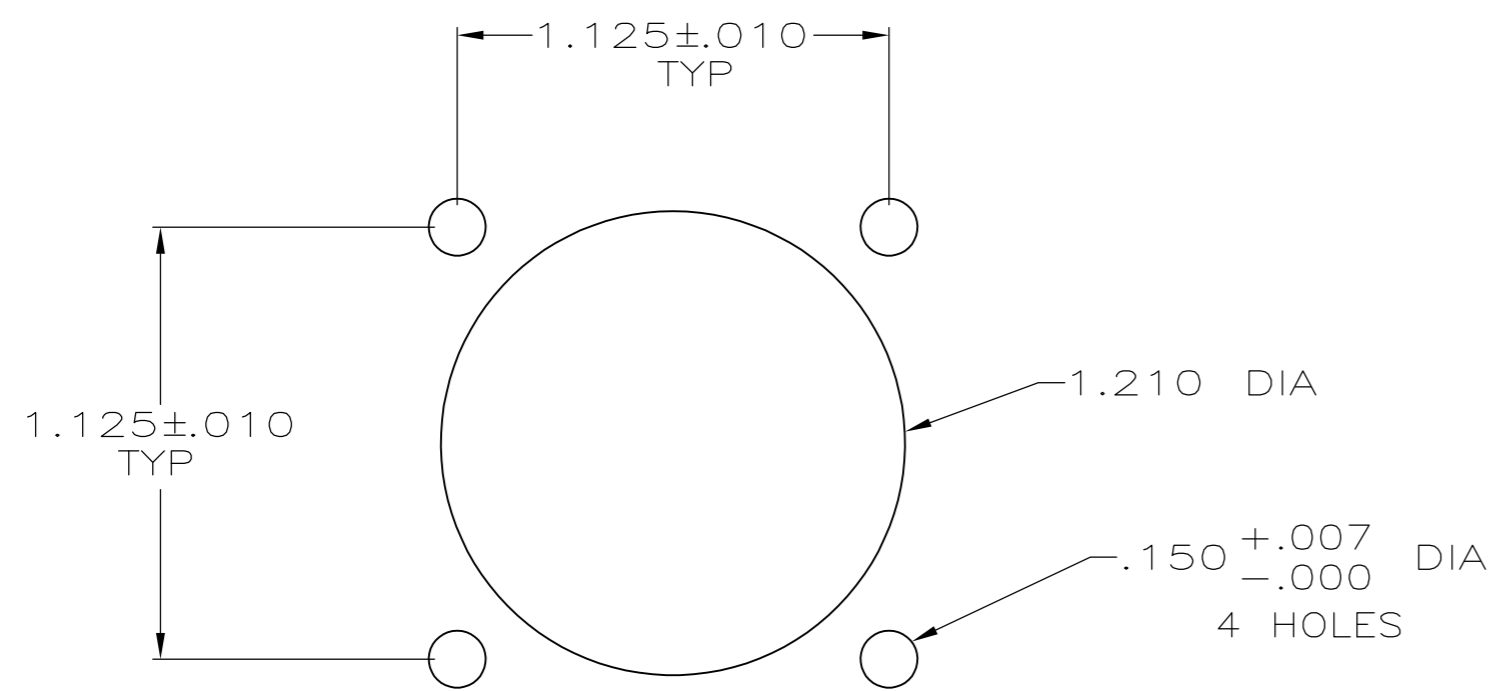


THIS DRAWING IS UNPUBLISHED. RELEASED FOR PUBLICATION
 © COPYRIGHT - By - ALL RIGHTS RESERVED.

LOC	DIST	REVISIONS					
FT	4	P	LTR	DESCRIPTION	DATE	DWN	APVD
		H2		REVISED PER ECO-13-019645	14DEC2013	KH	MZ



- 1 HOUSING & RETENTION INSERT: THERMOPLASTIC, BLACK. THREADED INSERTS: BRASS.
- 2 CONTACT CAVITIES IDENTIFIED BY CHARACTERS ON FRONT AND REAR FACES OF CONNECTOR.
- 3 WILL ACCEPT (28) SIZE 20 PIN CONTACTS.
- 4 AMP LOGO AND PART NUMBER LOCATED ON ANY FLANGE EDGE. SEE CHART FOR PART NUMBER.



PANEL CUTOUT

205840-3	YES	YES	205840-5
205840-3	NO	YES	205840-4
205840-3	NO	NO	205840-3
PART NUMBER LOCATED ON FLANGE EDGE	PERIPHERAL SEAL	4-40 THREADED INSERTS	PART NUMBER

THIS DRAWING IS A CONTROLLED DOCUMENT.		DWN	A.STAUB BG	4/3/91	TE TE Connectivity	
DIMENSIONS: INCHES		CHK	W.G.LENKER	7-24-92		
TOLERANCES UNLESS OTHERWISE SPECIFIED:		APVD	K.BEAVER	7-24-92		
0 PLC ± - 1 PLC ± - 2 PLC ± - 3 PLC ± .005 4 PLC ± - ANGLES ± - FINISH -		NAME	RECEPTACLE ASSEMBLY, STD SEX, SERIES 2, 17-28, CPC			
MATERIAL		PRODUCT SPEC	108-10024		SIZE	A2
1		APPLICATION SPEC	-		CAGE CODE	00779
		WEIGHT	-		DRAWING NO	C=205840
		CUSTOMER DRAWING			RESTRICTED TO	-
		SCALE	2:1		SHEET	1 of 1
		REV	H2			