



MOTOR STARTER 3RM1 SIRIUS DIRECT STARTER 500 V;  
0,1-0,5 A;  
110-230 V AC SCREW-TYPE CONNECTION SYSTEM

General technical data:		
product designation		Motor starter
Design of the product		with electronic overload protection
Protection class IP		IP20
Suitability for use / device connector 3ZY12		No
Installation altitude / at a height over sea level / maximum	m	4,000
Ambient temperature		
• during operating	°C	-25 ... +60
• during transport	°C	-40 ... +70
• during storage	°C	-40 ... +70
Resistance against shock		6g / 11 ms
Resistance against vibration		1 ... 6 Hz, 15 mm; 20 m/s <sup>2</sup> , 500 Hz
Impulse voltage resistance / rated value	kV	6
Conductor-bound parasitic coupling conductor-conductor SURGE / according to IEC 61000-4-5		1 kV
Conductor-bound parasitic coupling BURST / according to IEC 61000-4-4		2 kV / 5 kHz
Conducted interference as high-frequency radiation according to IEC 61000-4-6		10 V
Electrostatic discharge / according to IEC 61000-4-2		4 kV contact discharge / 8 kV air discharge

<b>Field-bound HF-interference emission / according to CISPR11</b>		Class B for domestic, business and commercial environments; Class A for industrial environments at 110 V DC
<b>Conductor-bound HF-interference emission / according to CISPR11</b>		Class B for domestic, business and commercial environments; Class A for industrial environments at 110 V DC
<b>Insulation voltage / rated value</b>	V	600

#### Safety:

**Safety device type / according to IEC 61508-2**

Type B

#### Main circuit:

<b>Operating voltage / rated value / maximum</b>	V	500
<b>Operating frequency</b>		
• 1	Hz	50
• 2	Hz	60
<b>Operating current / at 400 V / for AC / rated value</b>	A	0.5
<b>Minimum load in % of I<sub>M</sub></b>	%	20
<b>Active power loss / typical</b>	W	0.02
<b>Adjustable response current</b>		
• of the current-dependent overload release	A	0.1 ... 0.5
<b>Service power / for three-phase servomotors / at 400 V</b>		
• at 50 Hz	kW	0 ... 0.12

#### Control circuit:

<b>Type of voltage / of the controlled supply voltage</b>		AC/DC
<b>Control supply voltage / 1</b>		
• for DC / rated value	V	110
• at 50 Hz		
• for AC	V	110 ... 230
• at 60 Hz		
• for AC	V	230 ... 110
<b>Operating range factor control supply voltage rated value</b>		
• for DC		0.85 ... 1.1
• at 50 Hz		
• for AC		0.85 ... 1.1
<b>Control current</b>	A	0.05
<b>Input voltage / at the digital input / with signal &lt;1&gt;</b>		
• for DC	V	93 ... 121
• with AC	V	93 ... 253
<b>Input current / at the digital input / for signal &lt;1&gt; / typical</b>	A	0.0020

## Installation/mounting/dimensions:

<b>mounting position</b>		vertical, horizontal
<b>Width</b>	mm	22.5
<b>Height</b>	mm	100
<b>Depth</b>	mm	141.6

## Connections:

<b>Design of the electrical connection</b> <ul style="list-style-type: none"><li>• for main current circuit</li><li>• for auxiliary and control current circuit</li></ul>		screw-type terminals screw-type terminals
<b>Type of the connectable conductor cross-section</b> <ul style="list-style-type: none"><li>• for main contacts<ul style="list-style-type: none"><li>• solid</li><li>• finely stranded<ul style="list-style-type: none"><li>• with conductor end processing</li></ul></li></ul></li><li>• for AWG conductors</li></ul>		1x (0.2 ... 4 mm <sup>2</sup> ), 2x (0.2 ... 2.5 mm <sup>2</sup> )  1x (0.5 ... 2.5 mm <sup>2</sup> ), 2x (0.5 ... 2.5 mm <sup>2</sup> )  1x (20 ... 12), 2x (20 ... 14)
<b>Type of the connectable conductor cross-section</b> <ul style="list-style-type: none"><li>• for auxiliary contacts<ul style="list-style-type: none"><li>• finely stranded<ul style="list-style-type: none"><li>• with conductor end processing</li></ul></li></ul></li><li>• for AWG conductors</li></ul>		1x (0.5 ... 2.5 mm <sup>2</sup> ), 2x (0.5 ... 1 mm <sup>2</sup> )  1x (20 ... 14), 2x (20 ... 16)

## Certificates/approvals:

### General Product Approval



### Declaration of Conformity

### Test Certificates

[Type Test Certificates/Test Report](#)

## Further information:

### Information- and Downloadcenter (Catalogs, Brochures,...)

<http://www.siemens.com/industrial-controls/catalogs>

### Industry Mall (Online ordering system)

<http://www.siemens.com/industrial-controls/mall>

### Cax online generator

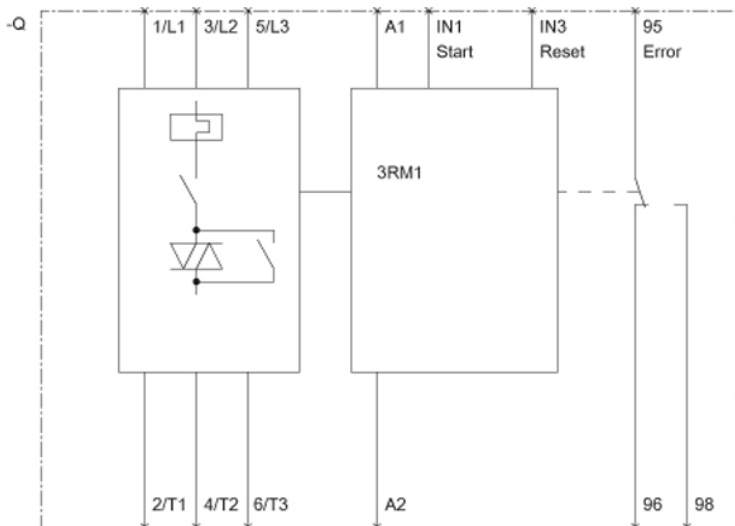
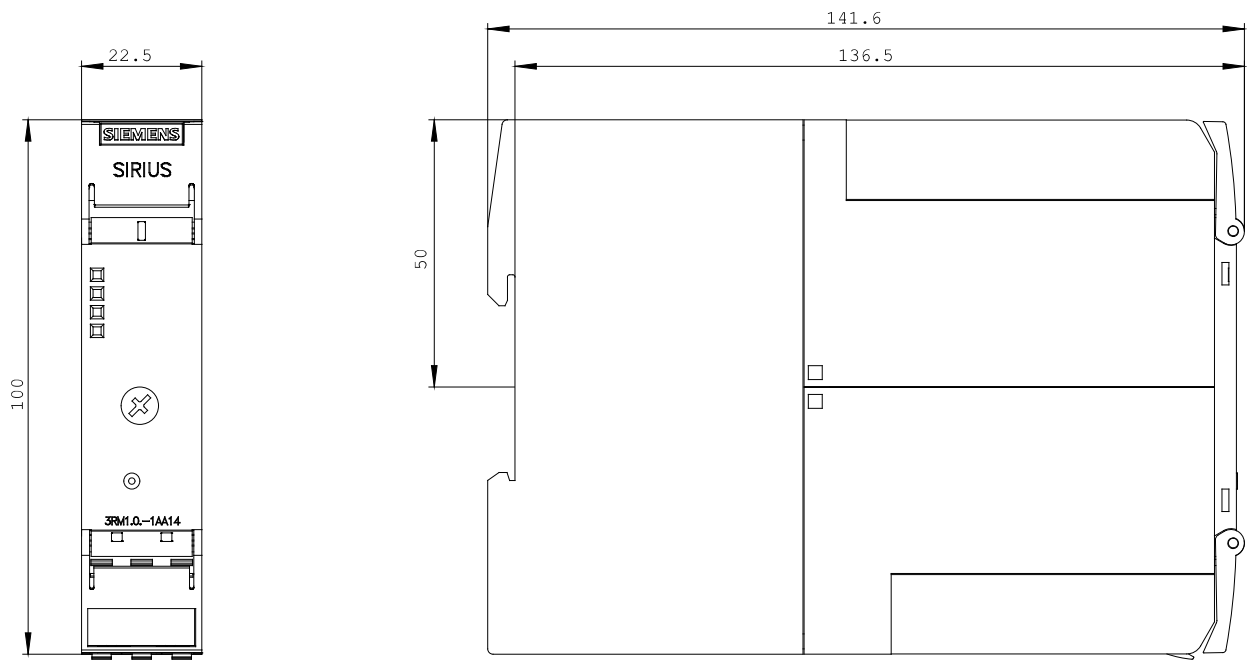
<http://www.siemens.com/cax>

### Service&Support (Manuals, Certificates, Characteristics, FAQs,...)

<http://support.automation.siemens.com/WW/view/en/3RM1001-1AA14/all>

### Image database (product images, 2D dimension drawings, 3D models, device circuit diagrams, ...)

[http://www.automation.siemens.com/bilddb/cax\\_en.aspx?mlfb=3RM1001-1AA14](http://www.automation.siemens.com/bilddb/cax_en.aspx?mlfb=3RM1001-1AA14)



last change:

Feb 4, 2013