

# Network cable - NBC-MS/10,0-94B SCO



1407407

<https://www.phoenixcontact.com/gb/products/1407407>

Please be informed that the data shown in this PDF document is generated from our Online Catalog. Please find the complete data in the user documentation. Our General Terms of Use for Downloads are valid.



Network cable, Ethernet CAT5 (1 Gbps), 8-position, shielded, Plug straight M12 SPEEDCON / IP67, coding: A, on free cable end, cable length: 10 m

## Commercial Data

|                                      |                     |
|--------------------------------------|---------------------|
| Item number                          | 1407407             |
| Packing unit                         | 1 pc                |
| Minimum order quantity               | 1 pc                |
| Sales Key                            | BF1CMI              |
| Product Key                          | BF1CMI              |
| Catalog Page                         | Page 401 (C-2-2019) |
| GTIN                                 | 4046356775359       |
| Weight per Piece (including packing) | 515.7 g             |
| Weight per Piece (excluding packing) | 465.9 g             |
| Customs tariff number                | 85444210            |
| Country of origin                    | PL                  |

## Technical Data

### Notes

|         |   |
|---------|---|
| General | Further products with variable cable type and variable cable length can be found in the accessories section |
|---------|---|

### Product properties

|                      |                         |
|----------------------|-------------------------|
| Product type         | Data cable preassembled |
| Number of positions  | 8                       |
| Application          | Standard                |
| No. of cable outlets | 1                       |
| Shielded             | yes                     |
| Coding               | A - standard            |

### Interfaces

|                      |   |
|----------------------|---|
| Bus system           | Ethernet  |
| Signal type/category | Ethernet CAT5 (on the basis of IEC 11801), 1 Gbps |

### LED signaling

|                        |    |
|------------------------|----|
| Status display         | No |
| Status display present | No |

### Electrical properties

|                       |         |
|-----------------------|---------|
| Nominal voltage $U_N$ | 48 V AC |
|                       | 60 V DC |
| Nominal current $I_N$ | 2 A     |
| Transmission medium   | Copper  |

### Material specifications

|                          |   |
|--------------------------|---|
| Color Handle area        | black                                       |
| Material of grip body    | TPU, hardly inflammable, self-extinguishing |
| Contact material         | CuSn  |
| Contact surface material | Ni/Au                                       |
| Contact carrier material | TPU GF                                      |
| Cable gland material     | Zinc die-cast, nickel-plated                |

### Connector

#### Connection 1

|                     |   |
|---------------------|---|
| Type                | Plug straight M12 SPEEDCON / IP67         |
| Number of positions | 8   |
| Coding type         | A (Standard)                              |
| Handle color        | black                                     |
| Material            | CuZn (Contact)<br>Ni/Au (Contact surface) |

# Network cable - NBC-MS/10,0-94B SCO



1407407

<https://www.phoenixcontact.com/gb/products/1407407>

|                                 |  |
|---------------------------------|--|
|                                 | TPU GF (Contact carriers)                          |
|                                 | TPU, hardly inflammable, self-extinguishing (Grip) |
|                                 | Zinc die-cast, nickel-plated (Screw connection)    |
| Insertion/withdrawal cycles     | ≥ 100  |
| Contact resistance              | ≤ 5 mΩ   |
| Insulation resistance           | ≥ 100 MΩ   |
| Tightening torque               | 0.4 Nm   |
| Degree of protection            | IP67   |
| Ambient temperature (operation) | -25 °C ... 90 °C                                   |

## Connection 2

|      |                |
|------|----------------|
| Type | free cable end |
|------|----------------|

## Cable / line

|  |  |
|--|--|
| Cable length                               | 10 m   |
| Cable weight                               | 47 kg/km   |
| UL AWM Style                               | 20963 (80°C/30 V)  |
| Number of positions                        | 8  |
| Shielded                                   | yes  |
| Cable type                                 | Ethernet flexible CAT5, 4-pair [94B]                                       |
| Signal runtime                             | 5.3 ns/m   |
| Conductor structure signal line            | 7x 0.16 mm   |
| AWG signal line                            | 26   |
| Conductor cross section                    | 4x 2x 0.14 mm <sup>2</sup>   |
| Wire diameter incl. insulation             | 0.96 mm  |
| External cable diameter                    | 6.4 mm ±0.2 mm   |
| Outer sheath, material                     | PUR  |
| External sheath, color                     | water blue RAL 5021  |
| Conductor material                         | Bare Cu litz wires   |
| Material wire insulation                   | Foamed PE  |
| Single wire, color                         | white/blue-blue, white/orange-orange, white/green-green, white/brown-brown |
| Thickness, outer sheath                    | 1.05 mm  |
| Twisted pairs                              | 2 cores to the pair  |
| Overall twist                              | 4 pairs for core   |
| Optical shield covering                    | 70 %   |
| Insulation resistance                      | ≥ 5 GΩ*km  |
| Coupling resistance                        | ≤ 100.00 mΩ/m (at 10 MHz)  |
| Loop resistance                            | ≤ 290.00 Ω/km  |
| Wave impedance                             | 100 Ω ±5 Ω (at 100 MHz)  |
| Cable capacity                             | 48 nF/km (at 1 kHz)  |
| Nominal voltage, cable                     | ≤ 100 V  |
| Test voltage Core/Core                     | 700 V (50 Hz, 1 min.)  |
| Test voltage Core/Shield                   | 700 V (50 Hz, 1 min.)  |
| Minimum bending radius, fixed installation | 4 x D  |

# Network cable - NBC-MS/10,0-94B SCO



1407407

<https://www.phoenixcontact.com/gb/products/1407407>

|  |   |
|--|---|
| Minimum bending radius, flexible installation          | 8 x D   |
| Tensile strength                                       | ≤ 100 N   |
| Near end crosstalk attenuation (NEXT)                  | 71.3 dB (with 1 MHz)                              |
|  | 62.3 dB (at 4 MHz)                                |
|  | 56.3 dB (at 10 MHz)                               |
|  | 53.2 dB (at 16 MHz)                               |
|  | 51.8 dB (at 20 MHz)                               |
|  | 48.9 dB (at 31.25 MHz)                            |
|  | 44.4 dB (at 62.5 MHz)                             |
|  | 41.3 dB (at 100 MHz)                              |
| Power-summated near end crosstalk attenuation (PSNEXT) | 62.3 dB (with 1 MHz)                              |
|  | 53.3 dB (at 4 MHz)                                |
|  | 47.3 dB (at 10 MHz)                               |
|  | 44.2 dB (at 16 MHz)                               |
|  | 42.8 dB (at 20 MHz)                               |
|  | 39.9 dB (at 31.25 MHz)                            |
|  | 35.4 dB (at 62.5 MHz)                             |
|  | 32.3 dB (at 100 MHz)                              |
| Return loss (RL)                                       | 23 dB (at 4 MHz)                                  |
|  | 24.1 dB (at 8 MHz)                                |
|  | 25 dB (at 10 MHz)                                 |
|  | 25 dB (at 16 MHz)                                 |
|  | 25 dB (at 20 MHz)                                 |
|  | 23.6 dB (at 31.25 MHz)                            |
|  | 21.5 dB (at 62.5 MHz)                             |
|  | 20.1 dB (at 100 MHz)                              |
| Shield attenuation                                     | 3.2 dB (with 1 MHz)                               |
|  | 6 dB (at 4 MHz)                                   |
|  | 9.5 dB (at 10 MHz)                                |
|  | 12.1 dB (at 16 MHz)                               |
|  | 13.6 dB (at 20 MHz)                               |
|  | 17.1 dB (at 31.25 MHz)                            |
|  | 24.8 dB (at 62.5 MHz)                             |
|  | 32 dB (at 100 MHz)                                |
| Halogen-free   | according to IEC 60754-1                          |
| Flame resistance                                       | according to IEC 60332-1-2                        |
| Resistance to oil                                      | according to EN 60811-2-1                         |
| Ambient temperature (operation)                        | -40 °C ... 80 °C (cable, fixed installation)      |
|  | -20 °C ... 80 °C (Cable, flexible installation)   |
| Ambient temperature (installation)                     | -20 °C ... 80 °C                                  |
| Signal type/category                                   | Ethernet CAT5 (on the basis of IEC 11801), 1 Gbps |

## Ambient conditions

|                      |      |
|----------------------|------|
| Degree of protection | IP65 |
|----------------------|------|

# Network cable - NBC-MS/10,0-94B SCO



1407407

<https://www.phoenixcontact.com/gb/products/1407407>

|                                 |                                  |
|---------------------------------|----------------------------------|
|                                 | IP67                             |
| Degree of protection            | IP65/IP67                        |
| Ambient temperature (operation) | -25 °C ... 90 °C (M12 connector) |

## Standards and regulations

M12

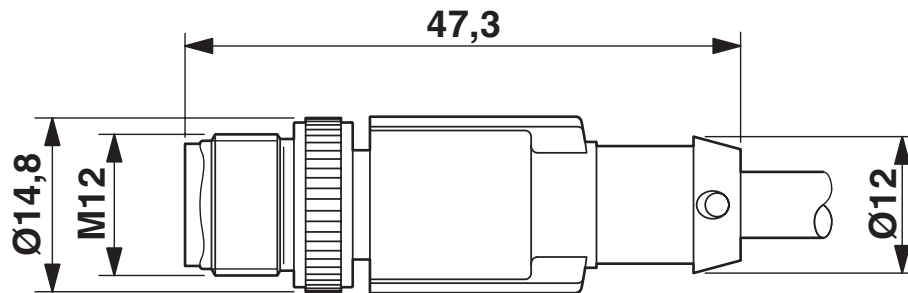
|                          |                 |
|--------------------------|-----------------|
| Standards/specifications | IEC 61076-2-101 |
|--------------------------|-----------------|

1407407

<https://www.phoenixcontact.com/gb/products/1407407>

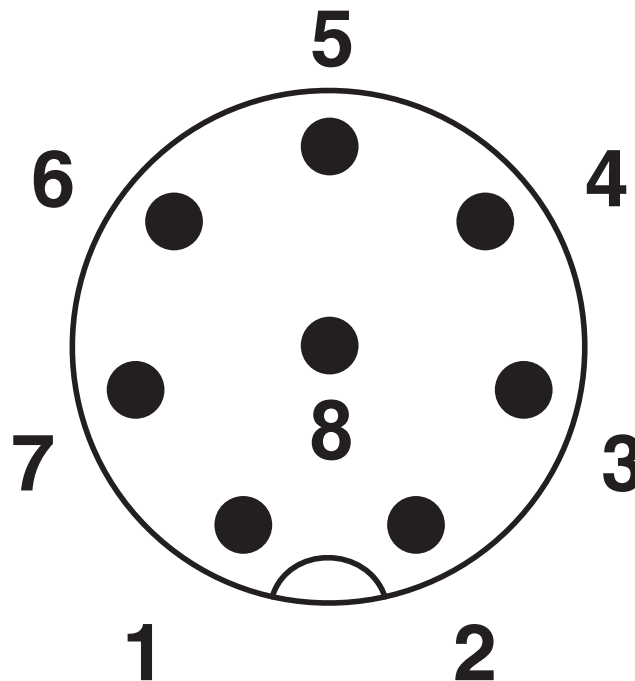
## Drawings

Dimensional drawing



Plug, M12 x 1, straight, shielded

Schematic diagram

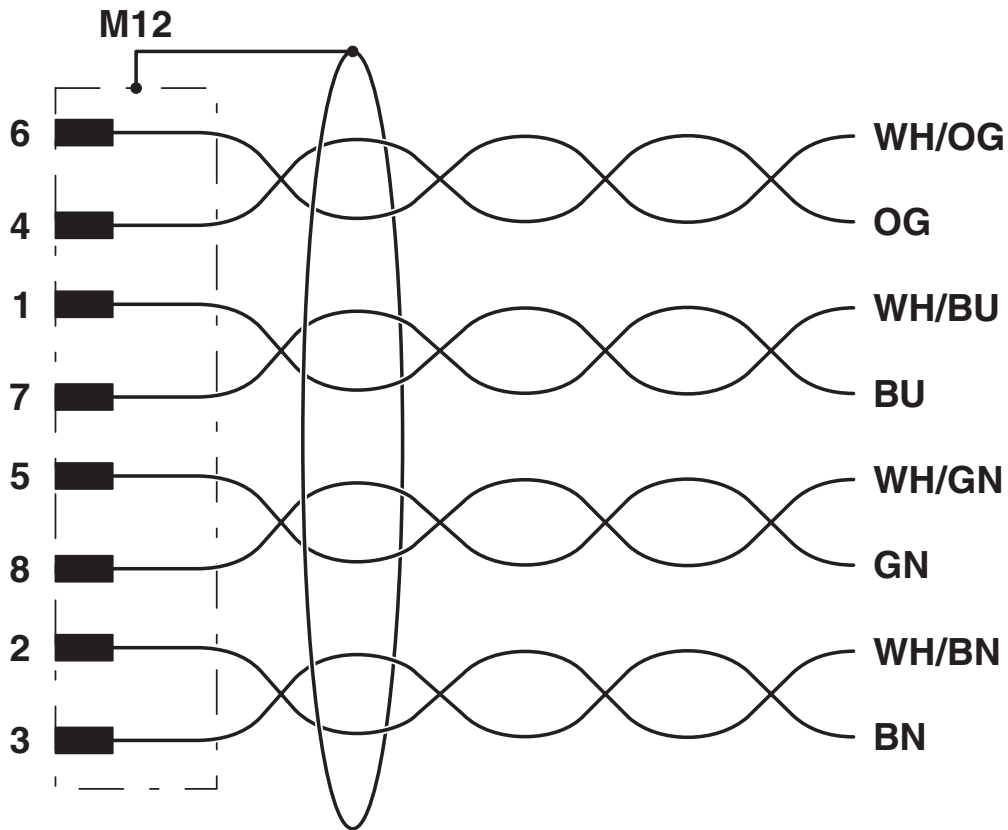


Pin assignment M12 plug, 8-pos., A-coded, view plug side

1407407

<https://www.phoenixcontact.com/gb/products/1407407>

Circuit diagram



Contact assignment of the M12 plug


# Network cable - NBC-MS/10,0-94B SCO




1407407

<https://www.phoenixcontact.com/gb/products/1407407>

## Approvals

|  <b>cUL Recognized</b><br>Approval ID: FILE E 335024 |                       |                       |                   |                             |
|---|-----------------------|-----------------------|-------------------|-----------------------------|
|   | Nominal Voltage $U_N$ | Nominal Current $I_N$ | Cross Section AWG | Cross Section $\text{mm}^2$ |
|   | 30 V                  | 1.5 A                 | -                 | -                           |

|  <b>UL Recognized</b><br>Approval ID: FILE E 335024 |                       |                       |                   |                             |
|--|-----------------------|-----------------------|-------------------|-----------------------------|
|  | Nominal Voltage $U_N$ | Nominal Current $I_N$ | Cross Section AWG | Cross Section $\text{mm}^2$ |
|  | 30 V                  | 1.5 A                 | -                 | -                           |

|  <b>EAC</b><br>Approval ID: RU D-DE.HB35.B.00387 |  |
|---|--|
|---|--|

| <b>cULus Recognized</b> |  |
|-------------------------|--|
|-------------------------|--|



# Network cable - NBC-MS/10,0-94B SCO



1407407

<https://www.phoenixcontact.com/gb/products/1407407>

## Classifications

### ECLASS

|               |          |
|---------------|----------|
| ECLASS-9.0    | 27060308 |
| ECLASS-10.0.1 | 27060308 |
| ECLASS-11.0   | 27060307 |

### ETIM

|          |          |
|----------|----------|
| ETIM 8.0 | EC001855 |
|----------|----------|

### UNSPSC

|             |          |
|-------------|----------|
| UNSPSC 21.0 | 26121600 |
|-------------|----------|

# Network cable - NBC-MS/10,0-94B SCO



1407407

<https://www.phoenixcontact.com/gb/products/1407407>

## Environmental Product Compliance

|            |   |
|------------|---|
| China RoHS | Environmentally friendly use period: unlimited = EFUP-e |
|            | No hazardous substances above threshold values          |

# Network cable - NBC-MS/10,0-94B SCO

1407407

<https://www.phoenixcontact.com/gb/products/1407407>

## Accessories

### Network cable

Network cable - NBC-MS SCO-IE/.../... - 1408682

<https://www.phoenixcontact.com/gb/products/1408682>



Network cable, Ethernet CAT5 (1 Gbps), 8-position, Variable cable type, shielded, Plug straight M12 SPEEDCON / IP67, coding: A, on free cable end, cable length: Free input (0.2 ... 40.0 m)

---

### Network cable

Network cable - NBC-MR SCO-IE/.../... - 1408675

<https://www.phoenixcontact.com/gb/products/1408675>



Network cable, Ethernet CAT5 (1 Gbps), 8-position, Variable cable type, shielded, Plug angled M12 SPEEDCON / IP67, coding: A, on free cable end, cable length: Free input (0.2 ... 40.0 m)

# Network cable - NBC-MS/10,0-94B SCO

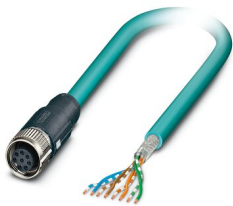
1407407

<https://www.phoenixcontact.com/gb/products/1407407>

## Network cable

Network cable - NBC-FS SCO-IE/.../... - 1408665

<https://www.phoenixcontact.com/gb/products/1408665>



Network cable, Ethernet CAT5 (1 Gbps), 8-position, Variable cable type, shielded, free cable end, on Socket straight M12 SPEEDCON / IP67, coding: A, cable length: Free input (0.2 ... 40.0 m)

---

## Network cable

Network cable - NBC-FR SCO-IE/.../... - 1408657

<https://www.phoenixcontact.com/gb/products/1408657>



Network cable, Ethernet CAT5 (1 Gbps), 8-position, Variable cable type, shielded, free cable end, on Socket angled M12 SPEEDCON / IP67, coding: A, cable length: Free input (0.2 ... 40.0 m)

# Network cable - NBC-MS/10,0-94B SCO

1407407

<https://www.phoenixcontact.com/gb/products/1407407>

## Torque screwdriver

Torque screwdriver - TSD 04 SAC - 1208429

<https://www.phoenixcontact.com/gb/products/1208429>



Torque screwdriver, with preset torque of 0.4 Nm and 4 mm hexagonal drive for M12 connectors

---

## Torque screwdriver

Torque screwdriver - TSD-M 1,2NM - 1212224

<https://www.phoenixcontact.com/gb/products/1212224>



Torque screw driver, accuracy as per EN ISO 6789 standard, adjustable from 0.3 - 1.2 Nm

# Network cable - NBC-MS/10,0-94B SCO

1407407

<https://www.phoenixcontact.com/gb/products/1407407>

## Adapter insert

Adapter insert - TSD-M SAC-BIT ADAPTER - 1212600

<https://www.phoenixcontact.com/gb/products/1212600>



Adapter bit for TSD-M...torque tools, E6.3-1/4" drive with 4 mm hexagon to accommodate SAC bits

---

## Tool

Tool - SAC BIT M12-D15 - 1208432

<https://www.phoenixcontact.com/gb/products/1208432>



Nut for assembling sensor/actuator cables with M12 connector and M12 connectors for assembly, with a knurl diameter of 15 mm, for 4 mm hexagonal drive

# Network cable - NBC-MS/10,0-94B SCO

1407407

<https://www.phoenixcontact.com/gb/products/1407407>

## Sealing cap

Sealing cap - PROT-M12 FS-PA-CHAIN - 1430873

<https://www.phoenixcontact.com/gb/products/1430873>

M12 sealing cap made of plastic with fixing band, for sensor cables, for free M12 plugs



---

## Locking clip

Locking clip - SAC-M12-EXCLIP-M - 1558988

<https://www.phoenixcontact.com/gb/products/1558988>

Locking clip for the pin side of sensor/actuator cables with M12 connector and M12 connectors for assembly, for knurl diameter: 15 mm or for Allen key with a wrench size of 14 mm, prevents the disconnection of plug-in connections without tools



# Network cable - NBC-MS/10,0-94B SCO

1407407

<https://www.phoenixcontact.com/gb/products/1407407>

## Cable-cutting tool

Cable-cutting tool - CUTFOX 12 - 1212128

<https://www.phoenixcontact.com/gb/products/1212128>



**Cable cutter**, for copper and aluminum up to 12 mm diameter (up to 35 mm<sup>2</sup>)

---

## Diagonal cutter

Diagonal cutter - CUTFOX-S VDE - 1212207

<https://www.phoenixcontact.com/gb/products/1212207>



Diagonal cutter for hard (piano wire) and soft wires, VDE 1000 V AC/1500 V DC tested



# Network cable - NBC-MS/10,0-94B SCO

1407407

<https://www.phoenixcontact.com/gb/products/1407407>

## Stripping tool

Stripping tool - VS-CABLE-STRIP-VARIO - 1657407

<https://www.phoenixcontact.com/gb/products/1657407>

Stripping tool, for the multi-level stripping of shielded cables



---

## Diagonal cutter

Diagonal cutter - MICROFOX-SP-1 - 1212487

<https://www.phoenixcontact.com/gb/products/1212487>

Electronic diagonal cutter, tapered head, without chamfer, with opening spring, non-reflective phosphate-treated surface, punched version



# Network cable - NBC-MS/10,0-94B SCO

1407407

<https://www.phoenixcontact.com/gb/products/1407407>

## Stripping tool

Stripping tool - WIREFOX 4 - 1212156

<https://www.phoenixcontact.com/gb/products/1212156>



Stripping tool, for cables and conductors (especially for rubber and silicone insulations) from 0.1 - 4 mm<sup>2</sup>, self-adjusting, stripping length of up to 18 mm, cutting capacity of up to 10 mm<sup>2</sup> stranded/1.5 mm<sup>2</sup> solid, replaceable stripping blade

---

## Stripping tool

Stripping tool - WIREFOX-E 4 - 1212704

<https://www.phoenixcontact.com/gb/products/1212704>



Stripping tool, for cables and conductors (especially for rubber and silicone insulations) from 0.1 - 4 mm<sup>2</sup>, self-adjusting, stripping length of up to 18 mm, cutting capacity of up to 10 mm<sup>2</sup> stranded/1.5 mm<sup>2</sup> solid, replaceable stripping blade

# Network cable - NBC-MS/10,0-94B SCO

1407407

<https://www.phoenixcontact.com/gb/products/1407407>

## Stripping tool

Stripping tool - WIREFOX 10 - 1212150

<https://www.phoenixcontact.com/gb/products/1212150>



Stripping tool, for cables and conductors from 0.02 - 10 mm<sup>2</sup>, self-adjusting, stripping length of up to 18 mm, cutting capacity of up to 10 mm<sup>2</sup> stranded/1.5 mm<sup>2</sup> solid, replaceable stripping blade

---

## Protective hose adapter

Protective hose adapter - WP-CTA POM 13,0 BK - 1422884

<https://www.phoenixcontact.com/gb/products/1422884>



Protective hose adapter, for corrugated hoses with a nominal size of 13 (10 x 13), corrugated in parallel

# Network cable - NBC-MS/10,0-94B SCO

1407407

<https://www.phoenixcontact.com/gb/products/1407407>

## Protective hose

Protective hose - WP-PA HF 13,0 BK - 3240681

<https://www.phoenixcontact.com/gb/products/3240681>



Protective hose, material: PA 6, filament: without, UV-resistant: yes, flexible, degree of protection: IP68, color: black, inflammability class in acc. with UL 94: V0, inner diameter: 10 mm, Total length: 50 m

---

## Protective hose

Protective hose - WP-PA HF-HB 13,0 BK - 3240839

<https://www.phoenixcontact.com/gb/products/3240839>



Protective hose, material: PA 6, filament: without, UV-resistant: yes, flexible, degree of protection: IP68, color: black, inflammability class in acc. with UL 94: HB, inner diameter: 10 mm, Total length: 50 m

# Network cable - NBC-MS/10,0-94B SCO

1407407

<https://www.phoenixcontact.com/gb/products/1407407>

## Data connector

Data connector - SACC-M12MS-8QO SH ETH - 1421679

<https://www.phoenixcontact.com/gb/products/1421679>



Data connector, Ethernet CAT5 (1 Gbps), 8-position, halogen-free, shielded, Plug straight M12 SPEEDCON, Coding: A, Insulation displacement connection, knurl material: Zinc die-cast, nickel-plated, external cable diameter 5 mm ... 9.7 mm

---

## Data connector

Data connector - SACC-M12MR-8Q SH - 1553653

<https://www.phoenixcontact.com/gb/products/1553653>



Data connector, Ethernet CAT5 (1 Gbps), 8-position, shielded, Plug angled M12, Coding: A, Insulation displacement connection, knurl material: Nickel-plated brass, external cable diameter 4 mm ... 8 mm

# Network cable - NBC-MS/10,0-94B SCO

1407407

<https://www.phoenixcontact.com/gb/products/1407407>

## Data connector

Data connector - SACC-M12FS-8QO SH ETH - 1421680

<https://www.phoenixcontact.com/gb/products/1421680>



Data connector, Ethernet CAT5 (1 Gbps), 8-position, halogen-free, shielded, Socket straight M12 SPEEDCON, Coding: A, Insulation displacement connection, knurl material: Zinc die-cast, nickel-plated, external cable diameter 5 mm ... 9.7 mm

---

## Data connector

Data connector - SACC-M12FR-8Q SH - 1553666

<https://www.phoenixcontact.com/gb/products/1553666>



Data connector, Ethernet CAT5 (1 Gbps), 8-position, shielded, Socket angled M12, Coding: A, Insulation displacement connection, knurl material: Nickel-plated brass, external cable diameter 4 mm ... 8 mm

# Network cable - NBC-MS/10,0-94B SCO

1407407

<https://www.phoenixcontact.com/gb/products/1407407>

## RJ45 connector

RJ45 connector - VS-08-RJ45-5-Q/IP20 - 1656725

<https://www.phoenixcontact.com/gb/products/1656725>



RJ45 connector, degree of protection: IP20, number of positions: 8, 1 Gbps, CAT5 (IEC 11801:2002), material: PA, connection method: IDC fast connection, connection cross section: AWG 26- 23, cable outlet: straight, color: traffic grey A RAL 7042, Ethernet

---

## RJ45 connector

RJ45 connector - VS-08-RJ45-5-Q/IP20 BK - 1658008

<https://www.phoenixcontact.com/gb/products/1658008>



RJ45 connector, type: RJ45, degree of protection: IP20, number of positions: 8, 1 Gbps, CAT5 (IEC 11801:2002), material: PA, connection method: IDC fast connection, connection cross section: AWG 26- 23, cable outlet: straight, color: black, Ethernet

# Network cable - NBC-MS/10,0-94B SCO

1407407

<https://www.phoenixcontact.com/gb/products/1407407>

## RJ45 connector

RJ45 connector - CUC-IND-C1ZNI-S/R4IE8 - 1421607

<https://www.phoenixcontact.com/gb/products/1421607>



RJ45 connector, type: RJ45, degree of protection: IP20, number of positions: 8, 1 Gbps, CAT5 (IEC 11801:2002), material: Zinc die-cast, connection method: IDC fast connection, connection cross section: AWG 26- 24, cable outlet: straight, color: green, Ethernet

---

## RJ45 connector

RJ45 connector - CUC-IND-C1ZNI-T/R4IE8 - 1421877

<https://www.phoenixcontact.com/gb/products/1421877>



RJ45 connector, type: RJ45, degree of protection: IP20, number of positions: 8, 1 Gbps, CAT5 (IEC 11801:2002), material: Zinc die-cast, connection method: IDC fast connection, connection cross section: AWG 26- 24, cable outlet: angled, Ethernet



# Network cable - NBC-MS/10,0-94B SCO



1407407

<https://www.phoenixcontact.com/gb/products/1407407>

## RJ45 connector

RJ45 connector - CUC-IND-C1ZNI-B/R4IE8 - 1421876

<https://www.phoenixcontact.com/gb/products/1421876>



RJ45 connector, type: RJ45, degree of protection: IP20, number of positions: 8, 1 Gbps, CAT5 (IEC 11801:2002), material: Zinc die-cast, connection method: IDC fast connection, connection cross section: AWG 26- 24, cable outlet: angled, Ethernet

---

## RJ45 connector

RJ45 connector - CUC-V06-C1PGY-S/R4CE8:1 - 1414383

<https://www.phoenixcontact.com/gb/products/1414383>



RJ45 connector, type: RJ45, degree of protection: IP67, number of positions: 8, 1 Gbps, CAT6, material: PA, connection method: Crimp connection, connection cross section: AWG 27- 24, cable outlet: straight, color: gray, Ethernet/PROFINET

# Network cable - NBC-MS/10,0-94B SCO

1407407

<https://www.phoenixcontact.com/gb/products/1407407>

## RJ45 connector

RJ45 connector - CUC-V06-C1PBK-S/R4CE8:1 - 1414408

<https://www.phoenixcontact.com/gb/products/1414408>



RJ45 connector, type: RJ45, degree of protection: IP67, number of positions: 8, 1 Gbps, CAT6, material: PA, connection method: Crimp connection, connection cross section: AWG 24- 27, cable outlet: straight, color: black, Ethernet/PROFINET

---

## RJ45 connector

RJ45 connector - CUC-V14-C1ZNI-S/R4E8 - 1422661

<https://www.phoenixcontact.com/gb/products/1422661>



Push-pull connector (version 14), die-cast zinc, with RJ45 connector insert, 8-pos., with IDC fast connection technology, for 1 and 7-wire cores, 26 ... 24 AWG, for cable diameter of 5.5 mm ... 10 mm

# Network cable - NBC-MS/10,0-94B SCO

1407407

<https://www.phoenixcontact.com/gb/products/1407407>

## RJ45 connector

RJ45 connector - CUC-V14-C1ZNI-T/R4E8 - 1422663

<https://www.phoenixcontact.com/gb/products/1422663>



Push-pull connector (version 14), die-cast zinc, with RJ45 connector insert, 8-pos., with IDC fast connection technology, for 1 and 7-wire cores, 26 ... 24 AWG, for cable diameter of 5.5 mm ... 10 mm

---

## RJ45 connector

RJ45 connector - CUC-V14-C1ZNI-B/R4E8 - 1422662

<https://www.phoenixcontact.com/gb/products/1422662>



Push-pull connector (version 14), die-cast zinc, with RJ45 connector insert, 8-pos., with IDC fast connection technology, for 1 and 7-wire cores, 26 ... 24 AWG, for cable diameter of 5.5 mm ... 10 mm

# Network cable - NBC-MS/10,0-94B SCO



1407407

<https://www.phoenixcontact.com/gb/products/1407407>

## RJ45 connector

RJ45 connector - VS-PPC-C1-RJ45-POBK-PG9-8Q5 - 1657834

<https://www.phoenixcontact.com/gb/products/1657834>



RJ45 connector, IP67, with push/pull interlocking, plastic housing, 1 Gbps, 8-pos., QUICKON fast connection technology, for 26 ... 24 AWG 1-wire and 7-wire conductors

---

Phoenix Contact 2022 © - all rights reserved

<https://www.phoenixcontact.com>

PHOENIX CONTACT Ltd

Halesfield 13, Telford

Shropshire, TF7 4PG

01952 681700

[info@phoenixcontact.co.uk](mailto:info@phoenixcontact.co.uk)