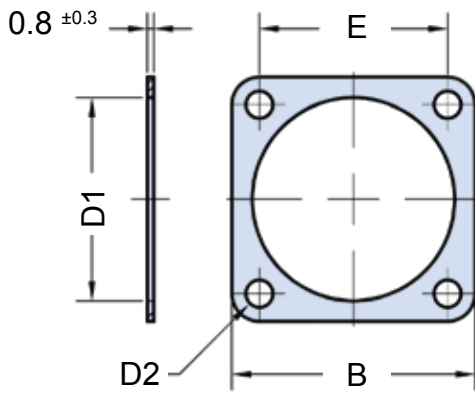
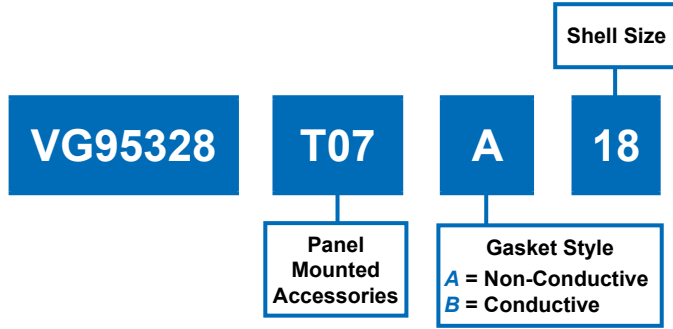
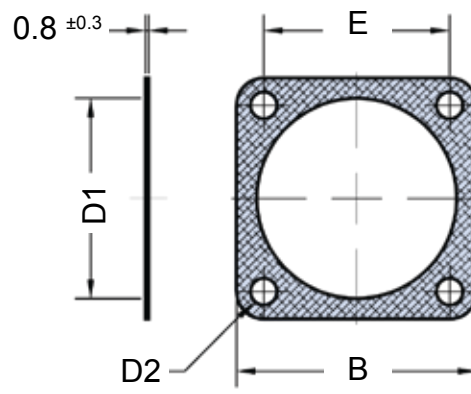


VG95328 T07 A and B
Conductive and Non-Conductive Gaskets
For Connectors A, B, C, H, P and R Only



VG95328 T07 A
Non-Conductive



VG95328 T07 B
Conductive

TABLE I: DIMENSIONS

| Shell size | B Max. | D1 + 1 - 0 | D2 Min. | E ± 0.3 | Maximum Weight in Grams |
|------------|-----------|------------------|------------|------------|-------------------------------|
| 8 | 22.7 | 12.7 | 3.1 | 15.1 | 2 |
| 10 | 25.8 | 15.9 | 3.1 | 18.3 | 2 |
| 12 | 28.2 | 19.0 | 3.1 | 20.6 | 2 |
| 14 | 30.6 | 22.2 | 3.1 | 23.0 | 2 |
| 16 | 33.0 | 25.4 | 3.1 | 24.6 | 2 |
| 18 | 35.4 | 28.6 | 3.1 | 27.0 | 2 |
| 20 | 38.5 | 31.7 | 3.1 | 29.4 | 2 |
| 22 | 41.7 | 34.9 | 3.1 | 31.8 | 2 |
| 24 | 44.9 | 38.1 | 4.2 | 34.9 | 2 |