

# SAC-4P-M12MRT/10,0-110 - Power cable



1089968

<https://www.phoenixcontact.com/in/products/1089968>

Please be informed that the data shown in this PDF document is generated from our online catalog. Please find the complete data in the user documentation. Our general terms of use for downloads are valid.



Power cable, 4-position, PVC, black-gray RAL 7021, Plug angled M12, coding: T, on free cable end, cable length: 10 m, For direct current up to 12 A/63 V

## Your advantages

- Easy and safe: 100 % electrically tested plug-in components
- Protection against incorrect connection using special T-coding

## Commercial data

Item number	1089968
Packing unit	1 pc
Minimum order quantity	1 pc
Sales key	BF1
Product key	AF1CCQ
Catalog page	Page 291 (C-2-2019)
GTIN	4055626898551
Weight per piece (including packing)	1,067.6 g
Weight per piece (excluding packing)	1,060.6 g
Customs tariff number	85444290
Country of origin	PL

# SAC-4P-M12MRT/10,0-110 - Power cable



1089968

<https://www.phoenixcontact.com/in/products/1089968>

## Technical data

### Product properties

Product type	Power cable
Application	Power supply
Number of positions	4
No. of cable outlets	1
Shielded	no
Coding	T

### Insulation characteristics

Overvoltage category	III
Degree of pollution	3

### Material specifications

Flammability rating according to UL 94	V0
Material of grip body	PP
Contact material	CuZn
Contact surface material	Ni/Au
Contact carrier material	PA
Material for screw connection	Zinc die-cast, nickel-plated

### Electrical properties

Insulation resistance	$\geq 100 \text{ M}\Omega$
Nominal voltage $U_N$	63 V DC
Nominal current $I_N$	12 A

### Mechanical properties

#### Mechanical data

Insertion/withdrawal cycles	> 100
-----------------------------	-------

### Connector

#### Connection 1

Type	Plug angled M12
Coding type	T (Power)

#### Connection 2

Type	free cable end
------	----------------

### Cable/line

Cable length	10 m
--------------	------

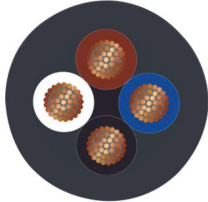
PVC 1.5 mm<sup>2</sup> black [110]

# SAC-4P-M12MRT/10,0-110 - Power cable



1089968

<https://www.phoenixcontact.com/in/products/1089968>

Dimensional drawing	
Cable weight	108 kg/km
UL AWM Style	20233 / 10493 (80°C/300 V)
Number of positions	4
Shielded	no
Cable type	PVC 1.5 mm <sup>2</sup> black [110]
Conductor structure, voltage supply	78x 0.15 mm
AWG power supply	16
Conductor cross section	4x 1.5 mm <sup>2</sup>
Wire diameter incl. insulation	2.35 mm ±0.05 mm
External cable diameter	7.55 mm ±0.25 mm
Outer sheath, material	PVC
External sheath, color	black-gray RAL 7021
Conductor material	Bare Cu litz wires
Material wire insulation	PVC
Single wire, color	brown, white, blue, black
Thickness, insulation	≥ 0.25 mm
Thickness, outer sheath	approx. 1.30 mm
Max. conductor resistance	≤ 13 Ω/km (at 20 °C)
Insulation resistance	≥ 1 GΩ*km (at 20 °C)
Nominal voltage, cable	≤ 300 V AC
Test voltage	≥ 3000 V AC (Spark test)
Minimum bending radius, fixed installation	5 x D
Minimum bending radius, flexible installation	10 x D
Smallest bending radius, fixed installation	38 mm
Smallest bending radius, movable installation	76 mm
Dynamic load capacity (bending)	Max. bending cycles: 2000000, Bending radius: 10 x D, Traversing path: 10 m, Traversing rate: 3 m/s, Acceleration: 10 m/s <sup>2</sup>
Flame resistance	According to UL 758/1581 (Cable Flame) according to UL 758/1581 FT1 According to DIN EN 60332-1-2
Resistance to oil	according to DIN EN 60811-404, 168 h at 60 °C
Ambient temperature (operation)	-40 °C ... 80 °C (cable, fixed installation) -20 °C ... 80 °C (Cable, flexible installation)

## Environmental and real-life conditions

# SAC-4P-M12MRT/10,0-110 - Power cable



1089968

<https://www.phoenixcontact.com/in/products/1089968>

## Ambient conditions

Degree of protection	IP65
	IP67
Ambient temperature (operation)	-25 °C ... 85 °C (Plug / socket)

## Standards and regulations

Standard designation	M12 connector
Standards/specifications	IEC 61076-2-111

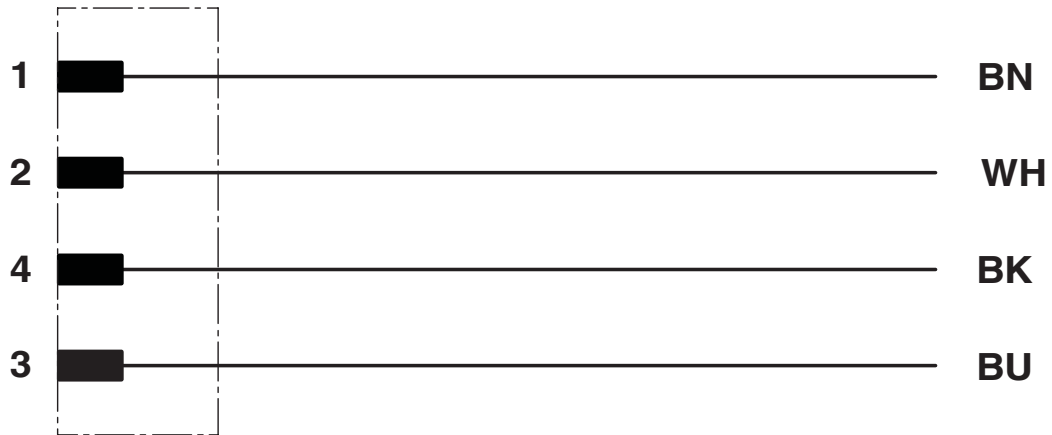
# SAC-4P-M12MRT/10,0-110 - Power cable

1089968

<https://www.phoenixcontact.com/in/products/1089968>

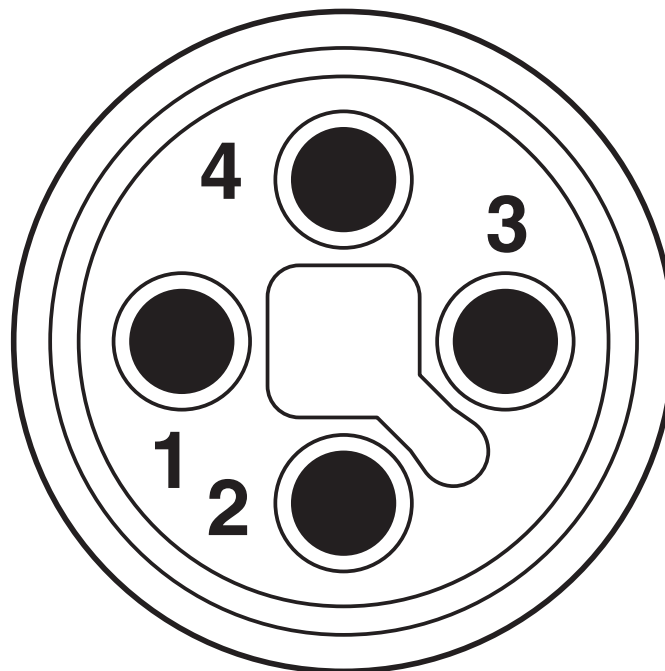
## Drawings

Circuit diagram



Contact assignment of the M12 plug

Schematic diagram

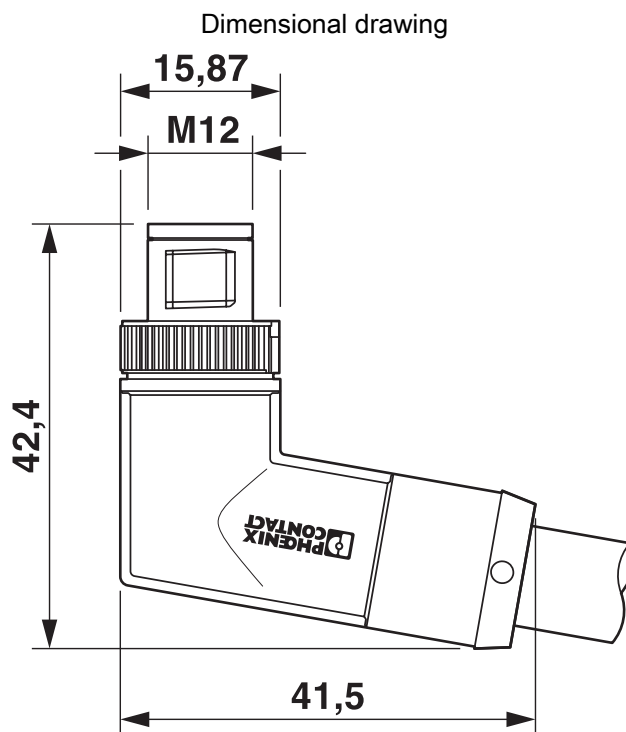


Pin assignment for M12 plug, 4-pos., T-coded, view of plug side

# SAC-4P-M12MRT/10,0-110 - Power cable

1089968

<https://www.phoenixcontact.com/in/products/1089968>



M12 x 1 male plug, angled

# SAC-4P-M12MRT/10,0-110 - Power cable





1089968

<https://www.phoenixcontact.com/in/products/1089968>

## Approvals

To download certificates, visit the product detail page: <https://www.phoenixcontact.com/in/products/1089968>

 <b>UL Listed</b> Approval ID: E468743				
	Nominal voltage $U_N$	Nominal current $I_N$	Cross section AWG	Cross section $\text{mm}^2$
	63 V	12 A	-	- 16

 <b>cUL Listed</b> Approval ID: E468743				
	Nominal voltage $U_N$	Nominal current $I_N$	Cross section AWG	Cross section $\text{mm}^2$
	63 V	12 A	- 16	-

<b>cULus Listed</b>				
---------------------	--	--	--	--

# SAC-4P-M12MRT/10,0-110 - Power cable



1089968

<https://www.phoenixcontact.com/in/products/1089968>

## Classifications

### ECLASS

ECLASS-11.0	27060311
ECLASS-12.0	27060311
ECLASS-13.0	27060327

### ETIM

ETIM 9.0	EC001855
----------	----------

### UNSPSC

UNSPSC 21.0	26121600
-------------	----------

# SAC-4P-M12MRT/10,0-110 - Power cable



1089968

<https://www.phoenixcontact.com/in/products/1089968>

## Environmental product compliance

### EU RoHS

Fulfills EU RoHS substance requirements	Yes, No exemptions
---	--------------------

### China RoHS

Environment friendly use period (EFUP)	EFUP-E
	No hazardous substances above the limits

### EU REACH SVHC

REACH candidate substance (CAS No.)	No substance above 0.1 wt%
-------------------------------------	----------------------------

### EF3.0 Climate Change

CO2e kg	8.934 kg CO2e
---------	---------------

# SAC-4P-M12MRT/10,0-110 - Power cable



1089968

<https://www.phoenixcontact.com/in/products/1089968>

## Accessories

### UCT-WMT (23X4) - Conductor marker

0801453

<https://www.phoenixcontact.com/in/products/0801453>



Conductor marker, Sheet, white, unlabeled, can be labeled with: TOPMARK NEO, TOPMARK LASER, BLUEMARK ID COLOR, BLUEMARK ID, BLUEMARK CLED, THERMOMARK PRIME, THERMOMARK CARD 2.0, THERMOMARK CARD, mounting type: insert, cable diameter range: 1.5 ... 35 mm, Number of individual labels: 30, text field height: 4 mm, text field width: 23 mm

---

### UC-WMT (23X4) - Conductor marker

0819411

<https://www.phoenixcontact.com/in/products/0819411>



Conductor marker, Sheet, white, unlabeled, can be labeled with: BLUEMARK ID COLOR, BLUEMARK ID, BLUEMARK CLED, PLOTMARK, CMS-P1-PLOTTER, mounting type: insert, cable diameter range: 1.5 ... 35 mm, Number of individual labels: 24, text field height: 4 mm, text field width: 23 mm

# SAC-4P-M12MRT/10,0-110 - Power cable



1089968

<https://www.phoenixcontact.com/in/products/1089968>

## US-WMT (23X4) - Cable marker

0828769

<https://www.phoenixcontact.com/in/products/0828769>



Cable marker, Card, white, unlabeled, can be labeled with: BLUEMARK ID COLOR, BLUEMARK ID, THERMOMARK PRIME, THERMOMARK CARD 2.0, THERMOMARK CARD, mounting type: slide-on, cable diameter range: 1.5 ... 35 mm, Number of individual labels: 56, text field height: 4 mm, text field width: 23 mm

---

## WMTW (23X4)R - Cable marker

0831004

<https://www.phoenixcontact.com/in/products/0831004>



Cable marker, Roll, white, unlabeled, can be labeled with: THERMOMARK E.300 (D)/600 (D), THERMOMARK ROLL 2.0, THERMOMARK ROLL, THERMOMARK ROLL X1, THERMOMARK ROLLMASTER 300/600, THERMOMARK X1.2, mounting type: insert, cable diameter range: 1.5 ... 35 mm, Number of individual labels: 3000, text field height: 4 mm, text field width: 23 mm

# SAC-4P-M12MRT/10,0-110 - Power cable

1089968

<https://www.phoenixcontact.com/in/products/1089968>



## PROT-M12 FS-PA-CHAIN - Sealing cap

1430873

<https://www.phoenixcontact.com/in/products/1430873>

M12 sealing cap made of plastic with fixing band, for sensor cables, for free M12 plugs



---

## PROT-M12 FS - Sealing cap

1560251

<https://www.phoenixcontact.com/in/products/1560251>

M12 sealing cap for unoccupied M12 plugs of the sensor/actuator cable, flush-type plugs and I/O devices in the field



# SAC-4P-M12MRT/10,0-110 - Power cable

1089968

<https://www.phoenixcontact.com/in/products/1089968>

## WP-EC TPE HF 13,0 BK - Transition sleeve from hose to cable

3240975

<https://www.phoenixcontact.com/in/products/3240975>



Transition sleeve from hose to cable, material: TPE, color: black, flammability rating in acc. with UL 94: HB

---

## WP-PA HF 13,0 BK - Protective hose

3240681

<https://www.phoenixcontact.com/in/products/3240681>



Protective hose, material: PA 6, UV-resistant: yes, flexible, degree of protection: IP68, color: black, flammability rating in acc. with UL 94: V0, inside diameter: 10 mm, Total length: 50 m

## SAC-4P-M12MRT/10,0-110 - Power cable

1089968

<https://www.phoenixcontact.com/in/products/1089968>



## WP-PA HF-HB 13,0 BK - Protective hose

3240839

<https://www.phoenixcontact.com/in/products/3240839>



Protective hose, material: PA 6, UV-resistant: yes, flexible, degree of protection: IP68, color: black, flammability rating in acc. with UL 94: HB, inside diameter: 10 mm, Total length: 50 m

---

## SAC BIT M12-D16 - Tool

1200305

<https://www.phoenixcontact.com/in/products/1200305>



Nut for assembling sensor/actuator cables with M12 connector and M12 connectors for assembly, knurl diameter: 16 mm, for 4 mm hexagonal drive

# SAC-4P-M12MRT/10,0-110 - Power cable

1089968

<https://www.phoenixcontact.com/in/products/1089968>

## TSD 04 SAC - Torque screwdriver

1208429

<https://www.phoenixcontact.com/in/products/1208429>



Torque screwdriver, with preset torque of 0.4 Nm and 4 mm hexagonal drive for M12 connectors

---

## TSD-M 1,2NM - Torque screwdriver

1212224

<https://www.phoenixcontact.com/in/products/1212224>



Torque screw driver, accuracy as per EN ISO 6789 standard, adjustable from 0.3 - 1.2 Nm

# SAC-4P-M12MRT/10,0-110 - Power cable

1089968

<https://www.phoenixcontact.com/in/products/1089968>



## TSD-M SAC-BIT ADAPTER - Adapter insert

1212600

<https://www.phoenixcontact.com/in/products/1212600>



Adapter bit for TSD-M...torque tools, E6.3-1/4" drive with 4 mm hexagon to accommodate SAC bits

---

## B-STIFT - Marker pen

1051993

<https://www.phoenixcontact.com/in/products/1051993>



Marker pen, for manual labeling of unprinted Zack strips, smear-proof and waterproof, line thickness 0.5 mm

# SAC-4P-M12MRT/10,0-110 - Power cable



1089968

<https://www.phoenixcontact.com/in/products/1089968>

## CUTFOX-S VDE - Diagonal cutter

1212207

<https://www.phoenixcontact.com/in/products/1212207>



Diagonal cutter for hard (piano wire) and soft wires, VDE 1000 V AC/1500 V DC tested

---

## WIREFOX-D 16 - Stripping tool

1212173

<https://www.phoenixcontact.com/in/products/1212173>



Stripping tool, for stripping lines (specially for fiber optics lines) of Ø 4 - 16 mm

# SAC-4P-M12MRT/10,0-110 - Power cable



1089968

<https://www.phoenixcontact.com/in/products/1089968>

## WIREFOX-D 40 - Stripping tool

1212161

<https://www.phoenixcontact.com/in/products/1212161>



**Stripping tool**, for stripping cables of 4.5 mm - 40 mm-Ø, insulation thickness of up to 4.5 mm, pivoting blade for round, lengthwise, and spiral cuts

## WIREFOX 10 - Stripping tool

1212150

<https://www.phoenixcontact.com/in/products/1212150>



**Stripping tool**, for cables and conductors from 0.02 - 10 mm<sup>2</sup>, self-adjusting, stripping length of up to 18 mm, cutting capacity of up to 10 mm<sup>2</sup> stranded/1.5 mm<sup>2</sup> solid, replaceable stripping blade

Phoenix Contact 2025 © - all rights reserved  
<https://www.phoenixcontact.com>

PHOENIX CONTACT (I) Pvt. Ltd.  
A-58/2, Okhla Industrial Area, Phase - II, New Delhi-110 020

+91.1275.71420  
[info@phoenixcontact.co.in](mailto:info@phoenixcontact.co.in)