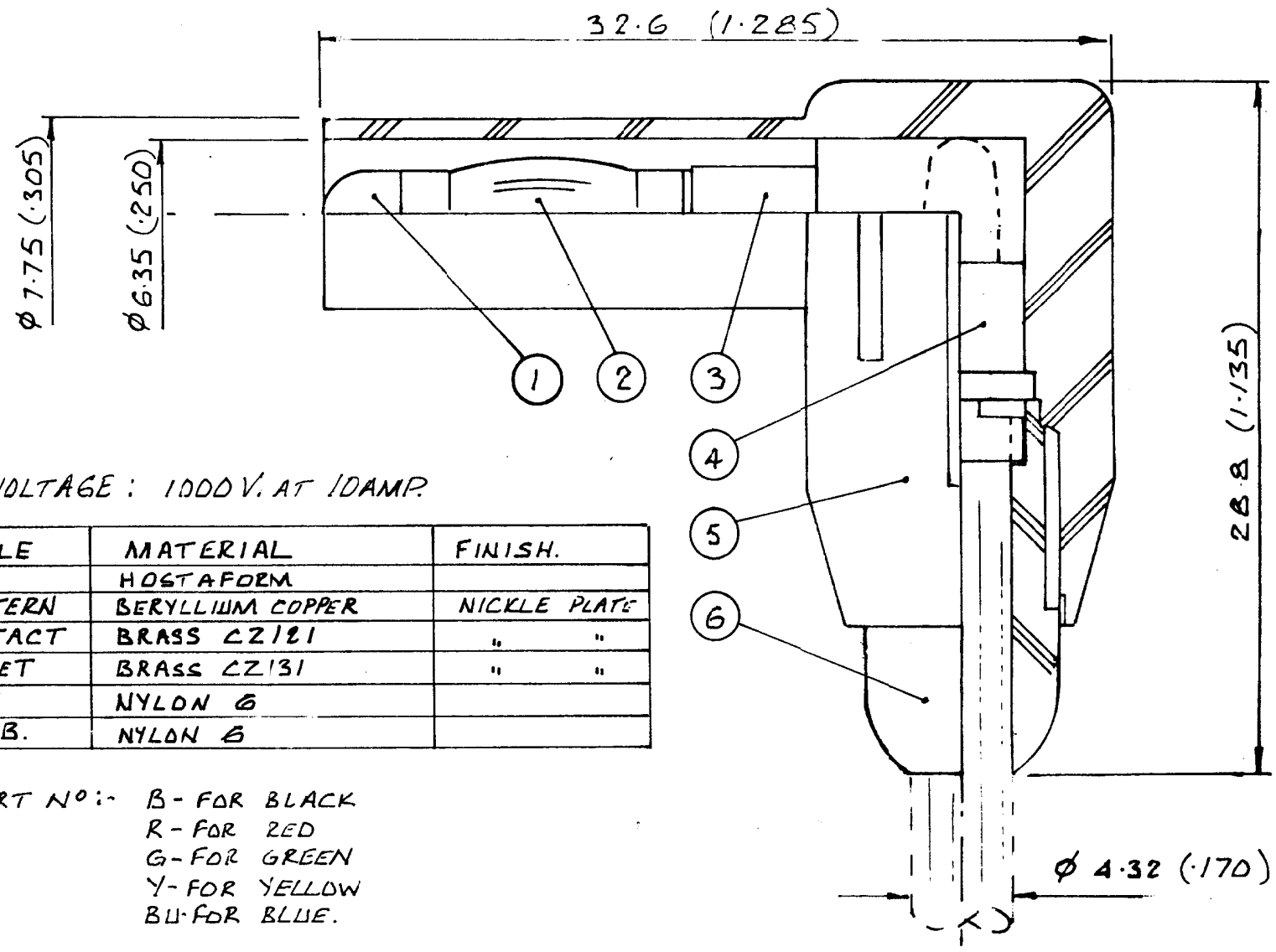




Date 3-2-92	Des. By P.S.	Used on
Appr. By	Scale 4/1	Title CRIMP RIGHT ANGLE PLUG.

ISSUE No.	1								
	3-2-92								

Part No. 128004 SHEET 2 OF 2
DRG No. 1112



WORKING VOLTAGE : 1000V. AT 10AMP.

ITEM	TITLE	MATERIAL	FINISH.
1	TIP	HOSTAFORM	
2	LANTERN	BERYLLIUM COPPER	NICKLE PLATE
3	CONTACT	BRASS C2121	" "
4	BULLET	BRASS C2131	" "
5	BODY	NYLON 6	
6	KNOB.	NYLON 6	

SUFFIX PART NO:- B- FOR BLACK
 R- FOR RED
 G- FOR GREEN
 Y- FOR YELLOW
 BU- FOR BLUE.

DIMENSIONS IN mm(INCH)