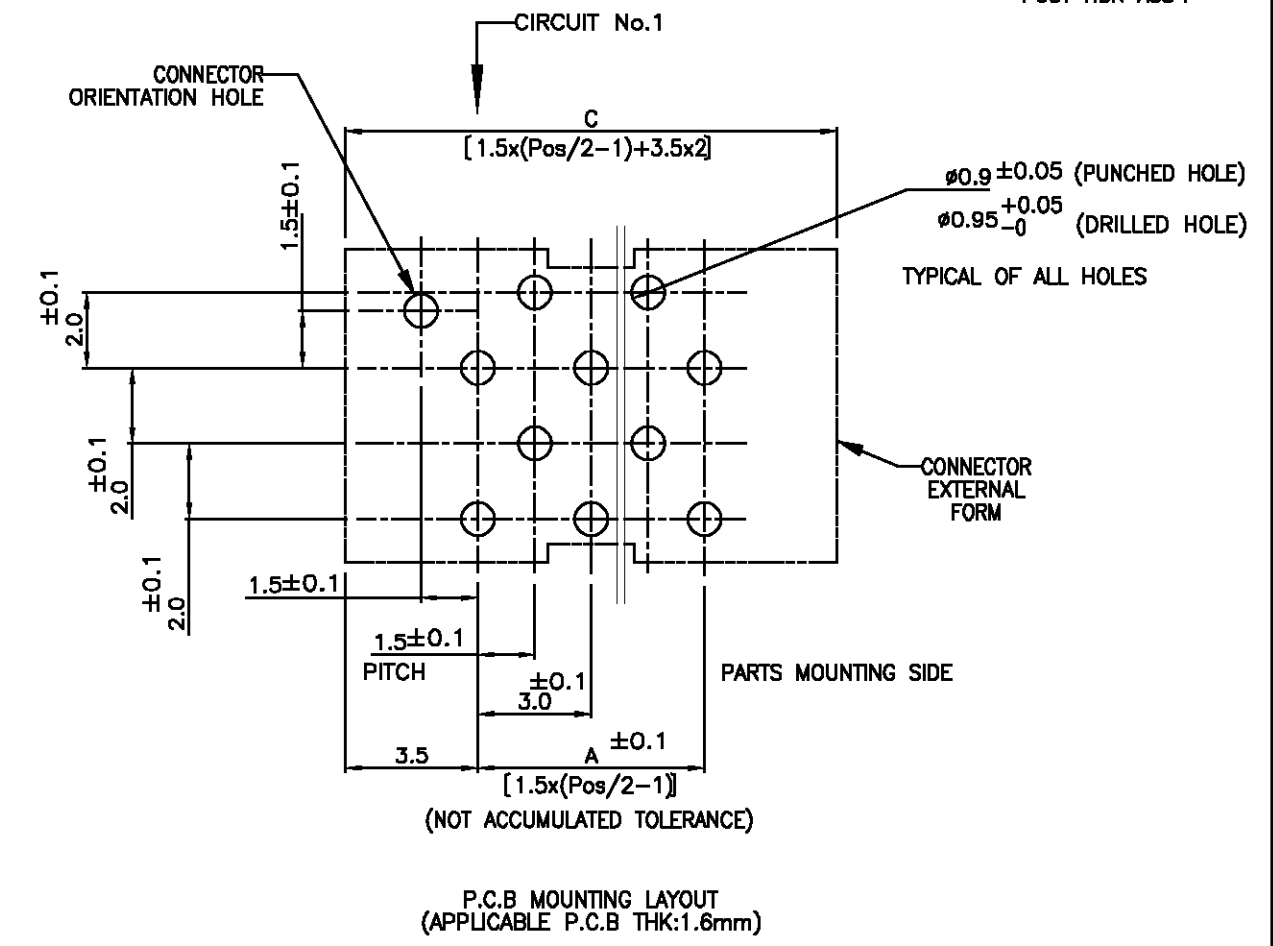
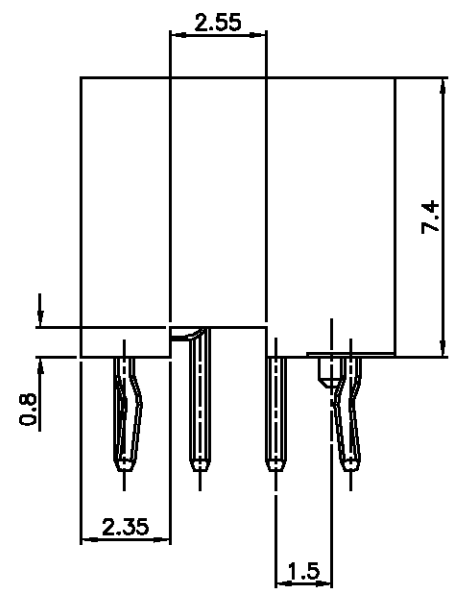
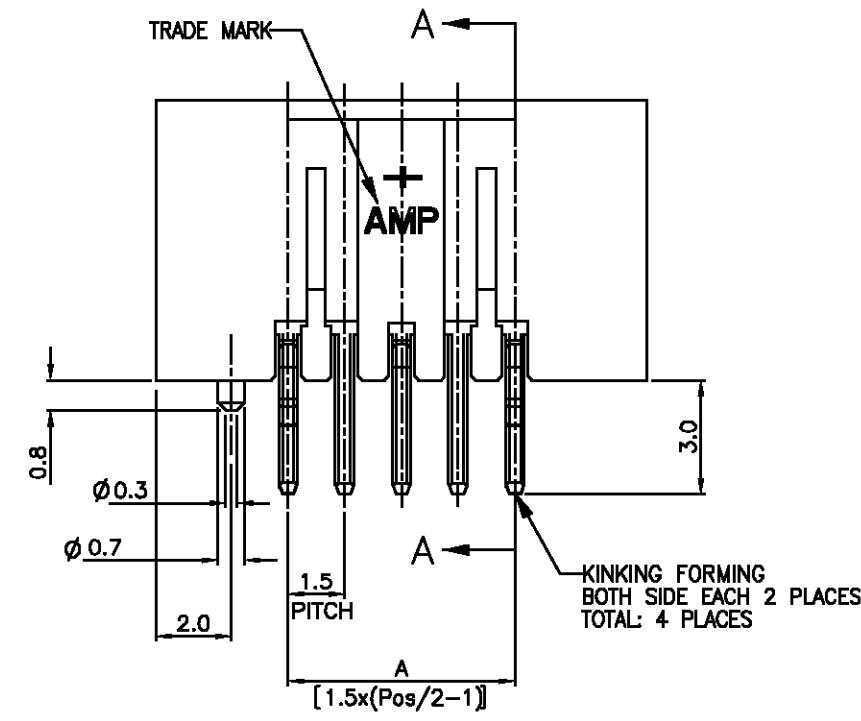
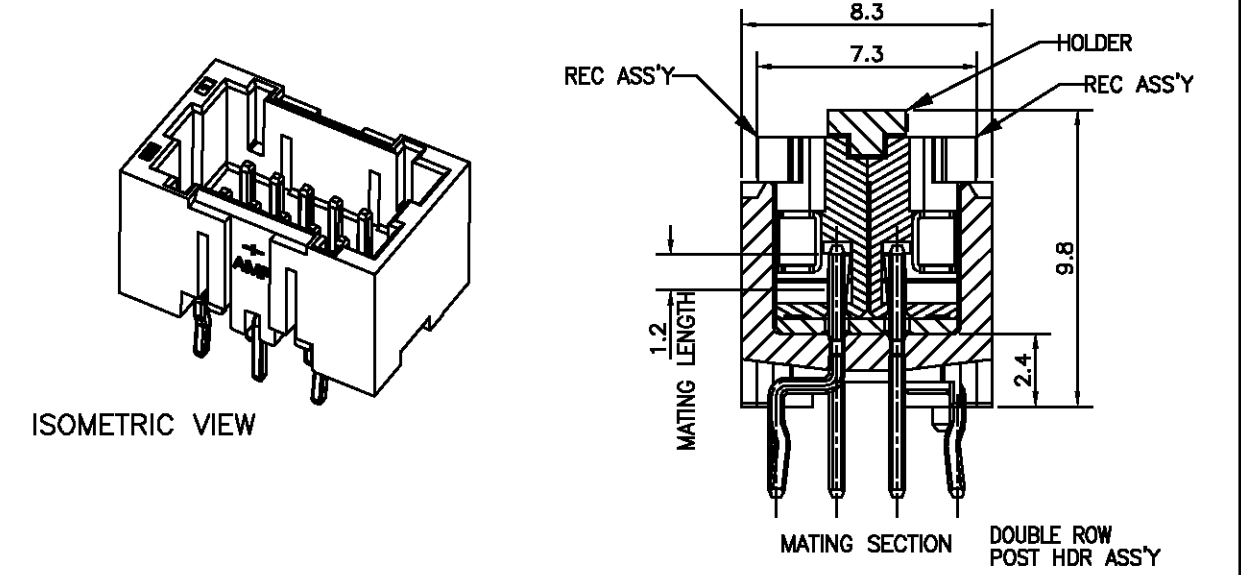
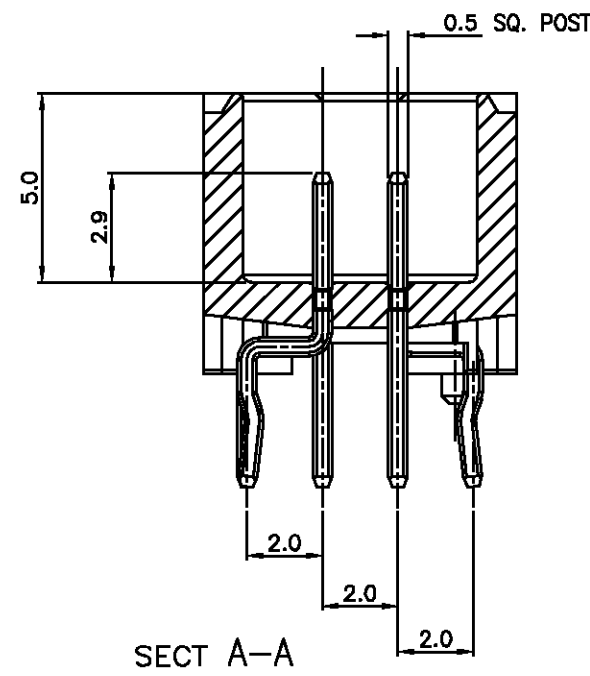
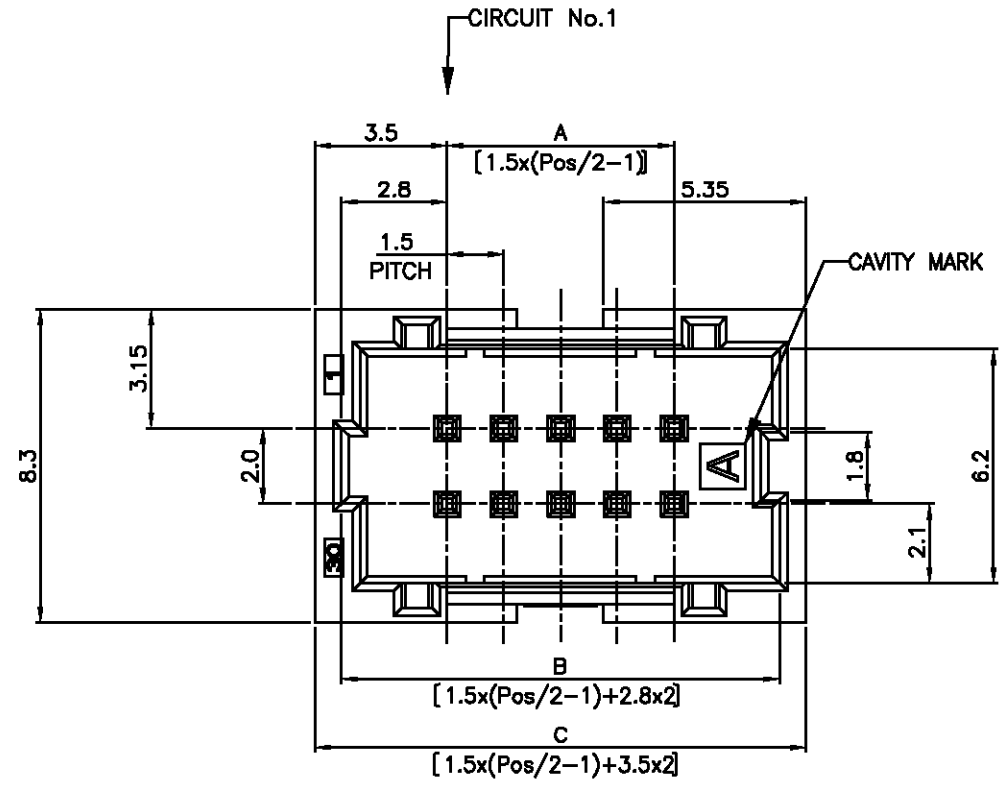


THIS DRAWING IS UNPUBLISHED. RELEASED FOR PUBLICATION - .04FEB03  
 © COPYRIGHT BY TYCO ELECTRONICS CORPORATION. ALL RIGHTS RESERVED.

LOC	DIST	REVISIONS					
P	LTR	DESCRIPTION	DATE	DWN	APVD		
FB	00	O	RELEASED	FB00-0015-03	04FEB03	JJ	TS



TOLERANCES UNLESS OTHERWISE SPECIFIED:

10 > *	: ±0.2
30 > * > 10	: ±0.25
100 > * > 30	: ±0.3
ANGLE	: ±3°

NOTES:  
 1. MATERIAL:  
 HOUSING: NYLON(G.F.) UL94V-0, COLOR: GRAY,BLUE  
 POST: PRE-TIN 0.5mm SQ. BRASS WIRE

THIS DRAWING IS A CONTROLLED DOCUMENT.		DWN S.YAO 31JAN03		Tyco Electronics Tyco Electronics Corporation SHANGHAI, CHINA	
DIMENSIONS: MM		CHK S.YAO 31JAN03		NAME	
TOLERANCES UNLESS OTHERWISE SPECIFIED:		APVD T. SASAKI 31JAN03		AMP Mini CT Connector 1.5mm Pitch Double Row Post HDR Ass'y (V) DIP Staggered Type with Boss with Kink	
0 PLC ± -		PRODUCT SPEC 108 - 60018		SIZE CAGE CODE DRAWING NO RESTRICTED TO	
1 PLC ± -		APPLICATION SPEC 114 - 5223		A3 00779 C-292208	
2 PLC ± -		WEIGHT SEE TABLE		SCALE - SHEET 1 OF 2 REV 0	
3 PLC ± -		MATERIAL SEE NOTE 1		CUSTOMER DRAWING	
4 PLC ± -		FINISH SEE NOTE 1			
ANGLES ± -					

LOC	DIST	REVISIONS					
FB	00	P	LTR	DESCRIPTION	DATE	DWN	APVD
		-		SEE SHEET 1	-	-	-

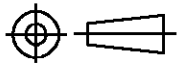
1.67	35.5	34.1	28.5	40	9-292208-0	4-292208-0
1.60	34.0	32.6	27.0	38	8-292208-8	3-292208-8
1.53	32.5	31.1	25.5	36	8-292208-6	3-292208-6
1.46	31.0	29.6	24.0	34	8-292208-4	3-292208-4
1.38	29.5	28.1	22.5	32	8-292208-2	3-292208-2
1.31	28.0	26.6	21.0	30	8-292208-0	3-292208-0
1.24	26.5	25.1	19.5	28	7-292208-8	2-292208-8
1.17	25.0	23.6	18.0	26	7-292208-6	2-292208-6
1.10	23.5	22.1	16.5	24	7-292208-4	2-292208-4
1.03	22.0	20.6	15.0	22	7-292208-2	2-292208-2
WEIGHT (g)	C	B	A	Pos.	BLUE	GRAY
	DIMENSIONS				PART NO	

RELEASED FOR PUBLICATION

ALL RIGHTS RESERVED.

© COPYRIGHT - BY TYCO ELECTRONICS CORPORATION.

THIS DRAWING IS UNPUBLISHED.

DIMENSIONS: MM		DWN	MATERIAL	FINISH
TOLERANCES UNLESS OTHERWISE SPECIFIED:		CHK	Tyco Electronics Corporation SHANGHAI, CHINA	
0 PLC ± -	± SEE SHEET	APVD	NAME AMP Mini CT Connector 1.5mm Pitch	
1 PLC ± -		PRODUCT SPEC	Double Row Post HDR Ass'y (V) DIP Staggered Type with Boss with Kink	
2 PLC ± -	± 1 OF 2	APPLICATION SPEC	SIZE	CAGE CODE
3 PLC ± -		WEIGHT	A4	00779
4 PLC ± -			DRAWING NO C-292208	
ANGLES ± -			RESTRICTED TO	
		CUSTOMER DRAWING		SCALE NON
AMP 1489-35 REV 31MAR2000		SHEET 2 OF 2		REV 0