

## Product Compliance

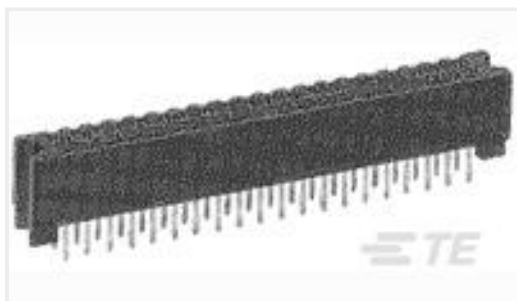
[For compliance documentation, visit the product page on TE.com>](#)

EU RoHS Directive 2011/65/EU	Not Compliant
EU ELV Directive 2000/53/EC	Compliant with Exemptions
China RoHS 2 Directive MIIT Order No 32, 2016	有害物质含量超出标准 Restricted Substance(s) Above Threshold
EU REACH Regulation (EC) No. 1907/2006	Current ECHA Candidate List: JUNE 2025 (250) Candidate List Declared Against: JUNE 2025 (250) SVHC > Threshold: Pb (13% in 4690948374) <b>Article Safe Usage Statements:</b> Do not eat, drink or smoke when using this product. Wash thoroughly after handling. Recycle if possible and dispose of the article by following all applicable governmental regulations relevant to your geographic location.
Halogen Content	BFR/CFR/PVC Free, but Br/Cl >900 ppm in other sources.
Solder Process Capability	Wave solder capable to 240°C

### Product Compliance Disclaimer

This information is provided based on reasonable inquiry of our suppliers and represents our current actual knowledge based on the information they provided. This information is subject to change. The part numbers that TE has identified as EU RoHS compliant have a maximum concentration of 0.1% by weight in homogenous materials for lead, hexavalent chromium, mercury, PBB, PBDE, DBP, BBP, DEHP, DIBP, and 0.01% for cadmium, or qualify for an exemption to these limits as defined in the Annexes of Directive 2011/65/EU (RoHS2). Finished electrical and electronic equipment products will be CE marked as required by Directive 2011/65/EU. Components may not be CE marked. Additionally, the part numbers that TE has identified as EU ELV compliant have a maximum concentration of 0.1% by weight in homogenous materials for lead, hexavalent chromium, and mercury, and 0.01% for cadmium, or qualify for an exemption to these limits as defined in the Annexes of Directive 2000/53/EC (ELV). Regarding the REACH Regulation, the information TE provides on SVHC in articles for this part number is based on the latest European Chemicals Agency (ECHA) 'Guidance on requirements for substances in articles' posted at this URL: <https://echa.europa.eu/guidance-documents/guidance-on-reach>

## Compatible Parts



TE Part # 534972-3  
50 MODII VRT 2PC DR CE 100CL



TE Part # 532956-8  
50 MODII 2PC CE RCPT ASSY

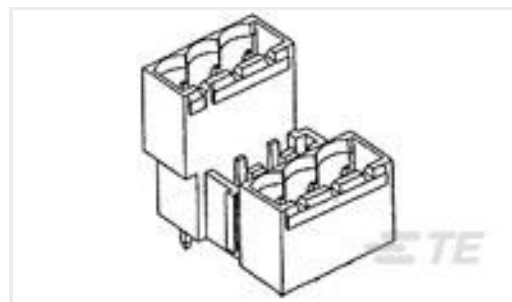
## Customers Also Bought



TE Part #316206-005  
55A1121-26-2/6-9



TE Part #84533-4  
1.25MM FFC POST PLATED H 4P



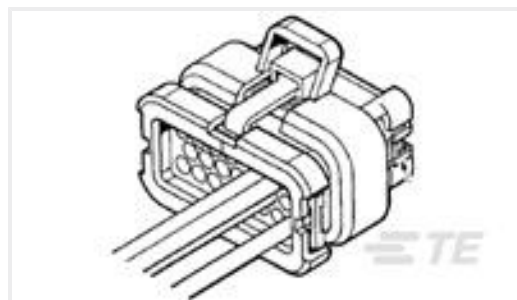
TE Part #284065-3  
TERMI-BLOK HDR 180, 5.08MM P.M



TE Part #640453-6  
06P MTA100 HDR ASSY SQ R/A



TE Part #3-641215-6  
06P MTA100 HDR ASSY FL/ST 30AU



TE Part #776273-5  
14POS,AMPSEAL,SOC HSG ASSY,SLD,  
COD 5



TE Part #2-1437664-0  
NC6-P107-14=NC6 ASSEMBLY



TE Part #3-1617029-3  
HFW1131K04M = M39016/6-107M



TE Part #2301847-1  
AMPL PLUG HD22, VERT, 44P, B/L,4-  
40 INS



TE Part #5103309-1  
A/L LOW PRO HDR 10P VERT BLACK

## Documents

### CAD Files

Customer View Model

[ENG\\_CVM\\_CVM\\_534978-8\\_S.2d\\_dxf.zip](#)

English

### 3D PDF

3D

Customer View Model

[ENG\\_CVM\\_CVM\\_534978-8\\_S.3d\\_igs.zip](#)

English



### Customer View Model

[ENG\\_CVM\\_CVM\\_534978-8\\_S.3d\\_stp.zip](#)

English

By downloading the CAD file I accept and agree to the [Terms and Conditions](#) of use.

### Product Specifications

[Application Specification](#)

English

[AMPMODU Mod II 2-Piece Double Row Header Assemblies](#)

English