

4

3

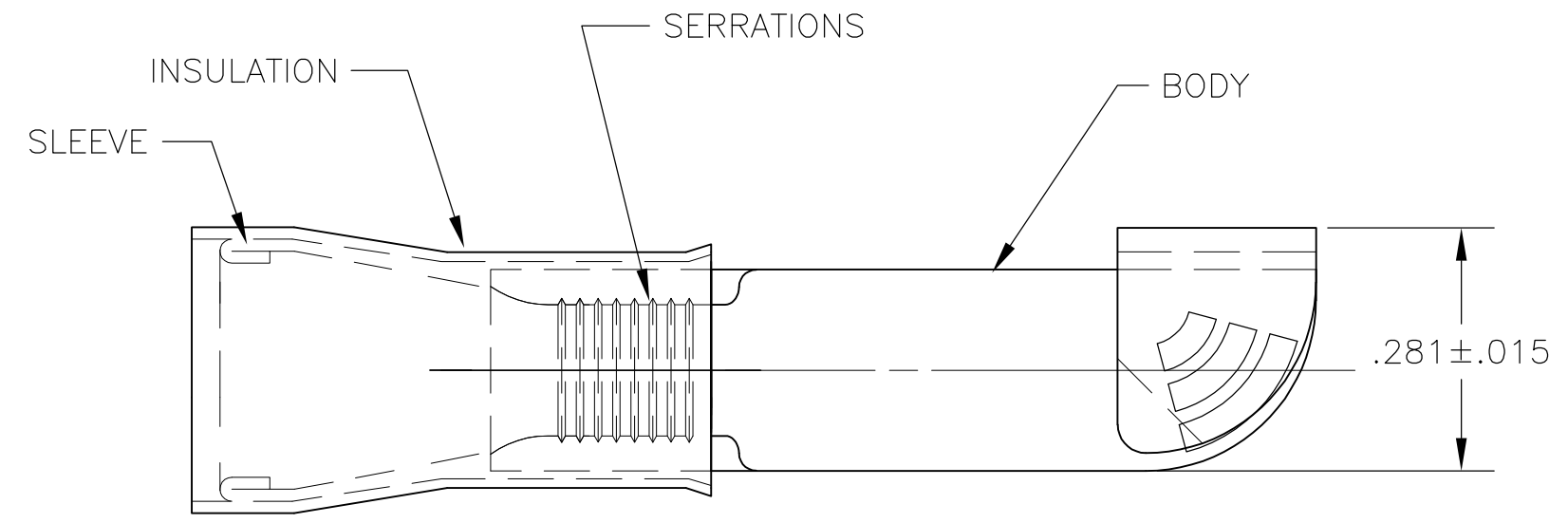
2

1

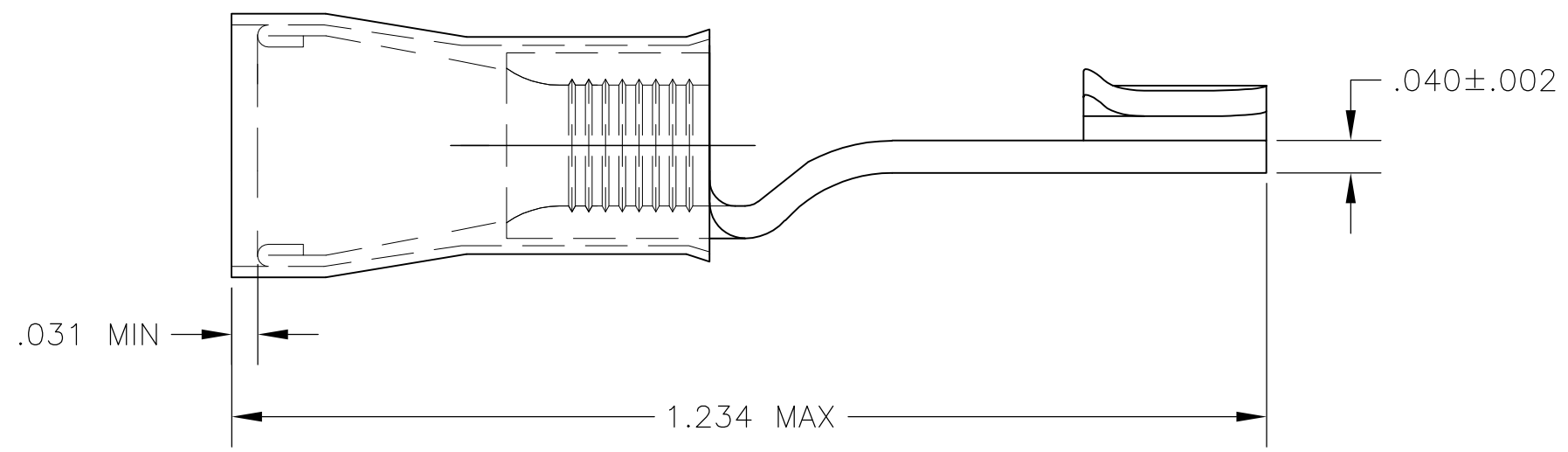
THIS DRAWING IS UNPUBLISHED. RELEASED FOR PUBLICATION  
 © COPYRIGHT BY TYCO ELECTRONICS CORPORATION. ALL INTERNATIONAL RIGHTS RESERVED.

LOC	DIST	REVISIONS					
G	02	P	LTR	DESCRIPTION	DATE	DWN	APVD
		B1		REDRAWN PER ECR 09-016745	28JUL09	JR	TM

<b>AMP</b> WIRE RANGE	<b>RU</b> FILE E13288
12-10 AWG STRANDED	12-10 AWG STRANDED



- 1 WIRE INSUL DIA .150-.230
- 2 MATERIAL: BODY - CU PER ASTM B152  
SLEEVE - CU PER ASTM B152  
INSULATION - NYLON (MIL-M-20693),  
TYPE 1
- 3 FINISH: BODY & SLEEVE: TIN PER ASTM B-545  
INSULATION - COLOR: YELLOW



50	LOOSE PIECE, BOX	8-320620-2
500	LOOSE PIECE	320620
QTY	PACKAGE TYPE	PART NO

MAX RECOMMENDED OPERATING TEMPERATURE: 105°C [221°F]  VOLTAGE RATING: 300 V MAX  CIRCULAR MIL AREA: 2.62-6.64mm² [5,180-13,100] STRANDED	THIS DRAWING IS A CONTROLLED DOCUMENT.  DIMENSIONS: INCHES 		TOLERANCES UNLESS OTHERWISE SPECIFIED: 0 PLC ± - 1 PLC ± - 2 PLC ± - 3 PLC ± .008 4 PLC ± - ANGLES ± 5° FINISH		DWN jr_ruth 12JUN09 CHK TOM MICHIELUTTI 12JUN09 APVD TOM MICHIELUTTI 12JUN09 PRODUCT SPEC UL 486A APPLICATION SPEC - WEIGHT -	<b>Tyco Electronics</b> Tyco Electronics Corporation Harrisburg, PA 17105-3608  NAME TERMINAL, PIDG, KNIFE DISCONNECT, WIRE SIZE: 12-10 -			RESTRICTED TO
	MATERIAL 	FINISH 	SIZE A3	CAGE CODE 00779	DRAWING NO C-320620	SCALE 5:1	SHEET 1 OF 1	REV B1	