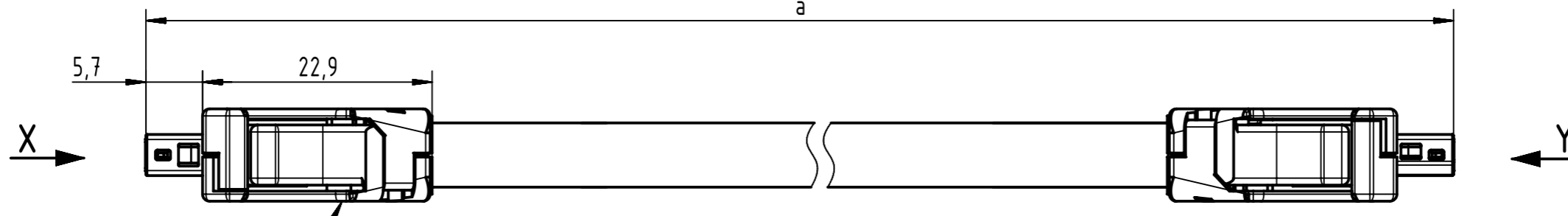
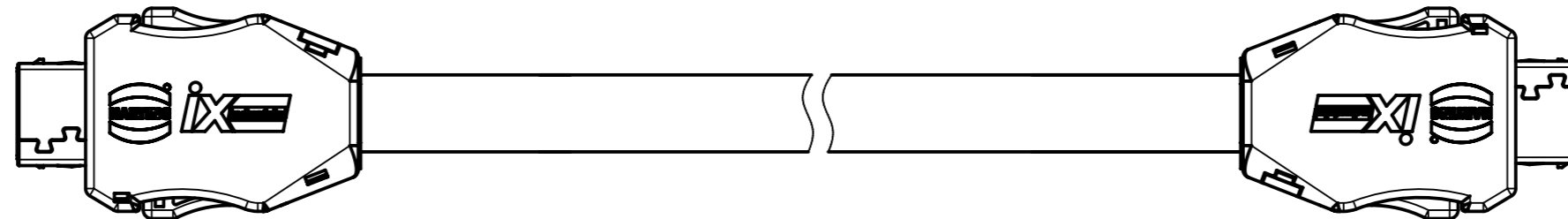


Connector Location A

Connector Location B



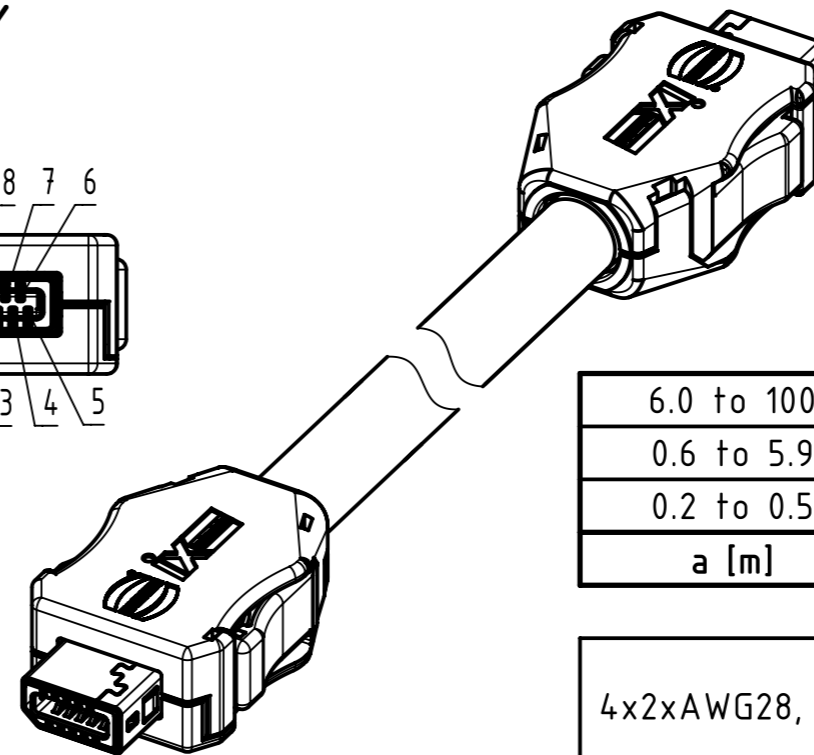
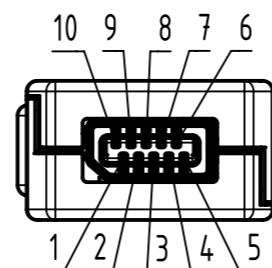
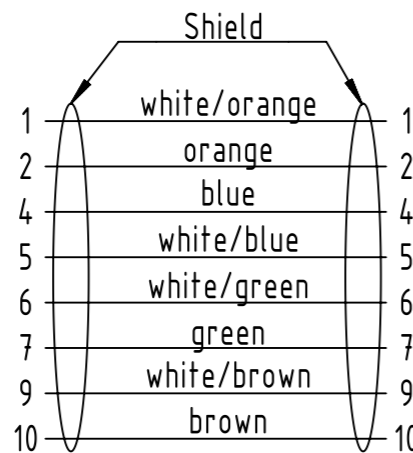
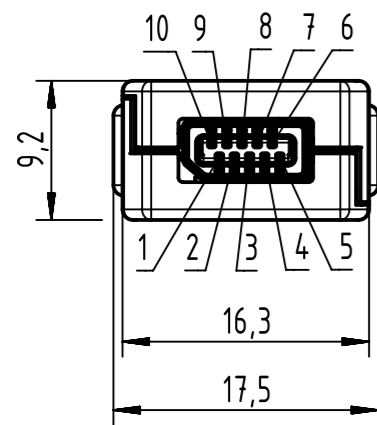
HARTING ix Industrial Cat. 6A plug 10-pole



X

Loading-Plan  
acc. to TIA/EIA 568B

Y



6.0 to 100	±1%
0.6 to 5.9	+0.04
0.2 to 0.5	+0.02
a [m]	Tolerance

length in "1m" step	100	XXX=000
	99	XXX=990
	.	.
	12	XXX=120
	11	XXX=110
length in "0.1m" step	10	XXX=100
	9.9	XXX=099
	9.8	XXX=098
	.	.
	0.5	XXX=005
0.4	XXX=004	
0.3	XXX=003	
0.2	XXX=002	
Step	a [m]	XXX

Contacts 3 and 8 are not connected on both sides

- Protection level: IP20
- Temperature range: -40°C...+80°C

4x2xAWG28, yellow, PVC, Cat. 6A	09482626749XXX
Type of cable	Part no.

All Dimensions in mm		Tech. Character.		Free size tol.		According to production drawing	
All rights reserved		Created by	Inspected by	Standardisation	Date	State	
Department HCS - RO		MUNTEANV	COSTEA	AVRAM	2017-10-19	Final Release	
HARTING Customised Solutions		Title ix Industrial PVC cable assembly				Doc-Key / ECM-Nr.	
D-32427 Minden		Type	Number	100695544/UGD/000/B		500000126826	
		TB	09482626749XXX	Rev.		Page	
				B		1/1	