

SR315B 1-port Resonator

This product is lead-free in compliance with RoHs 2002/95/EC.

Test Conditions:

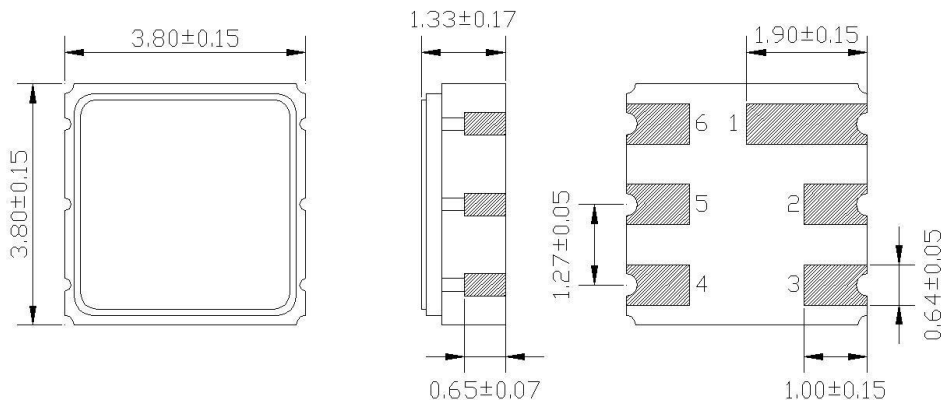
RF power	0 dBm
Temperature	23 °C
DC Voltage	10 V
Terminating source impedance (Z_S):	50 Ω
Terminating load impedance (Z_L):	50 Ω

		minimum	typical	maximum	unit
Centre frequency* ¹	f_C	314.95	315.0	315.05	MHz
Insertion Loss	I_L		1.0	1.5	dB
Unloaded quality factor	Q_U	9000	9750		
Ageing of center frequency				50	ppm
Equivalent Circuit elements					
Motional capacitance	C_1		3.703		fF
Motional inductance	L_1		68.93		μ H
Motional resistance	R_1		14.0		Ω
Parallel capacitance	C_0		4.5		pF
Operating temperature range		-40		+125	°C
Storage temperature range		-40		+125	°C
Turnover temperature	T_0	15		30	°C
Temperature coefficient of frequency	TC_F		-0.032		ppm/K ²

*¹ Centre frequency is defined as maximum of the real part of the admittance.

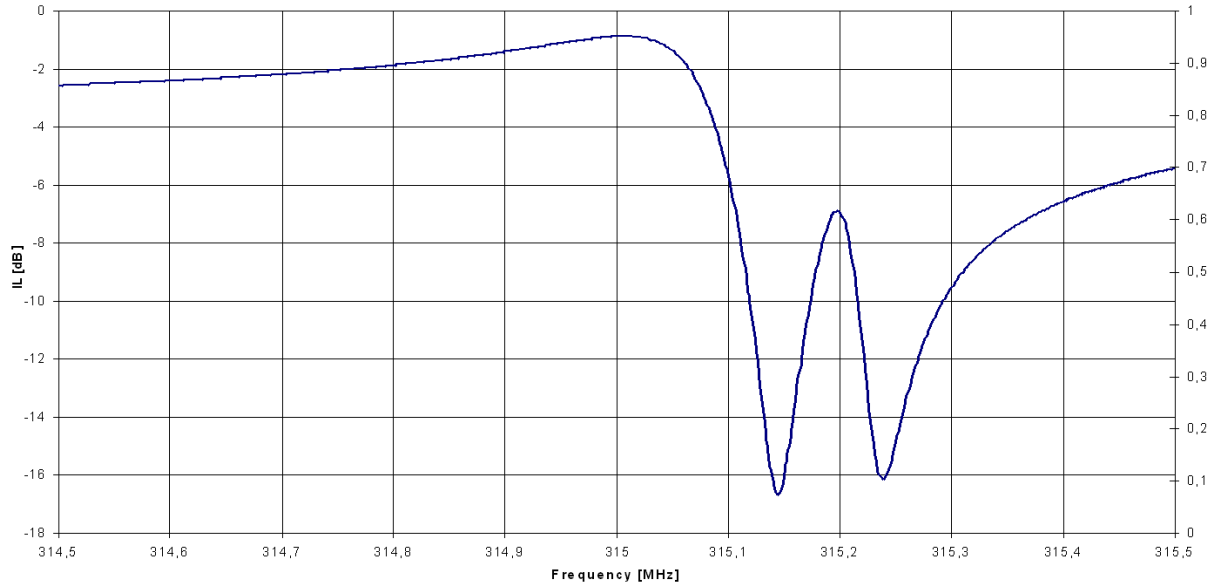
Electrostatic Sensitive Device

Package: S35 / 3.8*3.8mm²



All dimensions in mm
Pin 2 Input Pin 1, 3, 4, 6 Case Ground
Pin 5 Output

Typical performance:



Equivalent Circuit:

